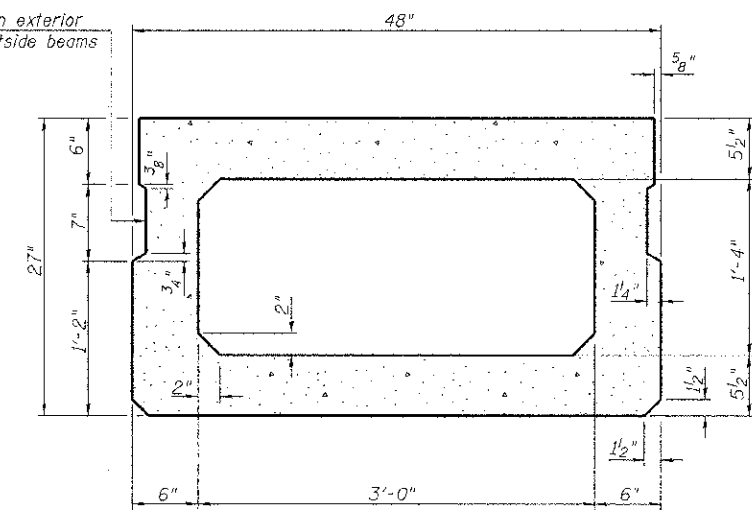
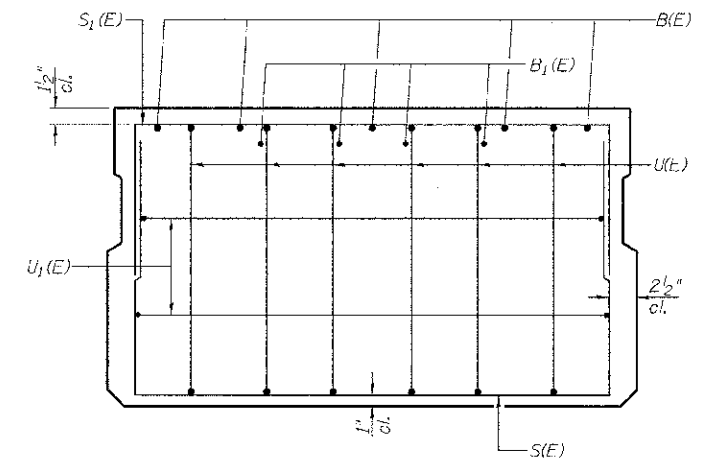


SECTION C-C

**Omit key on exterior face of outside beams

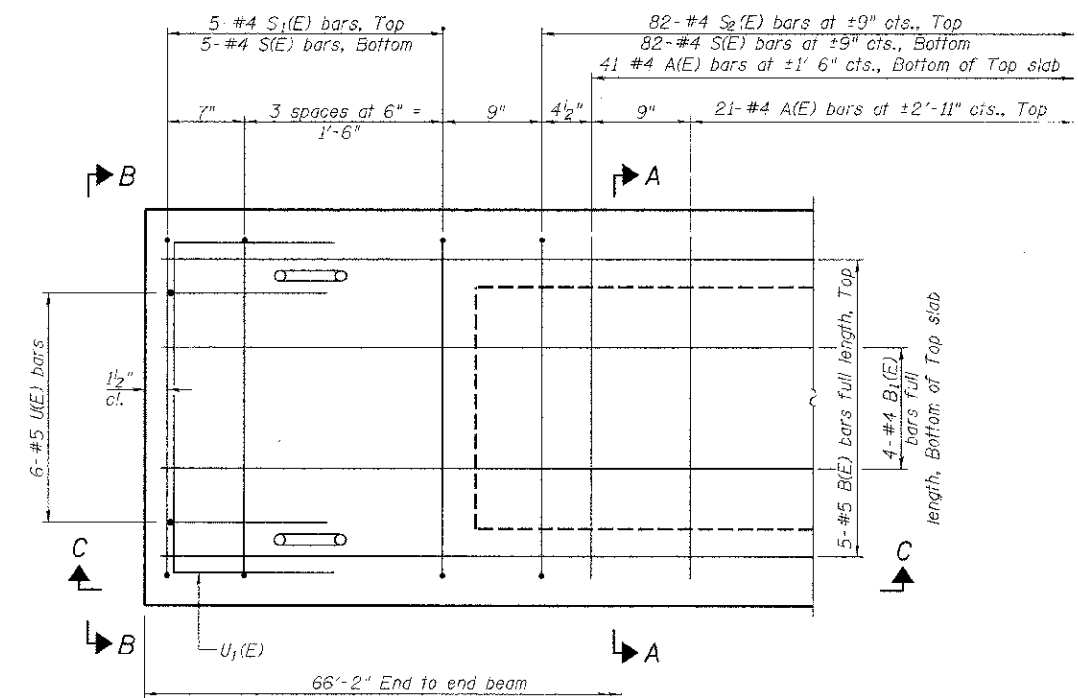


SECTION A-A
(Showing dimensions)



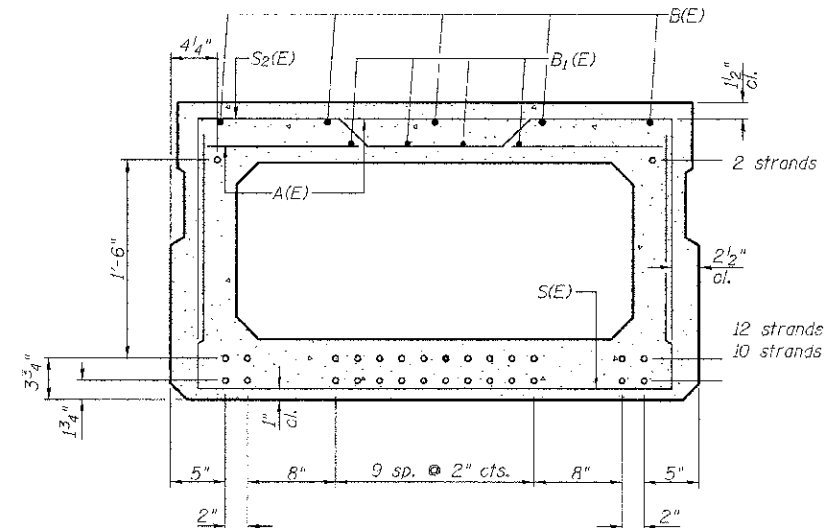
VIEW B-B

**Rail post anchor devices (Sheet 4 of 11) to be cast into exterior face of outside beams.



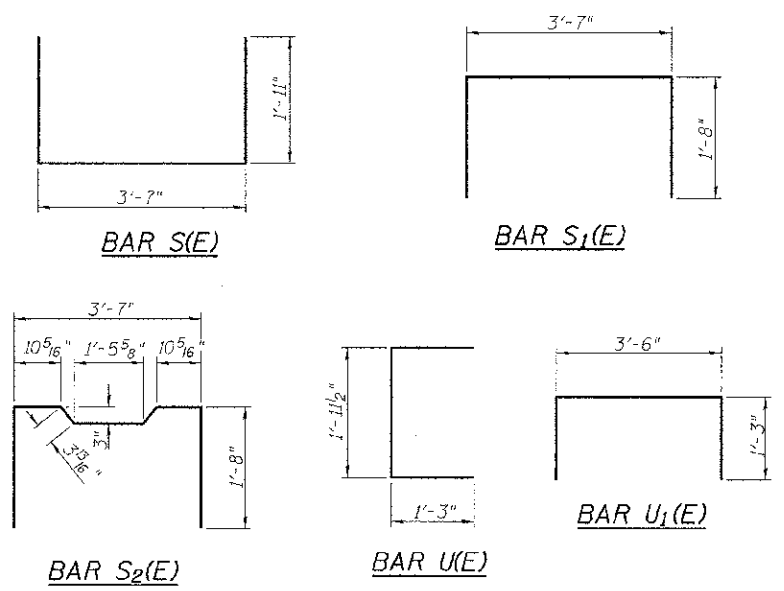
END PLAN

Note: Spacing of S(E) and S2(E) bars may be adjusted up to 4\"/>



SECTION A-A

24-1/2" Strands Each Strand Stressed to 30,900 Lbs.
10-Strands 1 3/4" up, 12-Strands 3 3/4" up, 2-Strands 1'-9 3/4" up
Note: Place the number of strands specified in each row symmetrically about the centerline of beam in the permissible strand locations shown.



BAR LIST-ONE BEAM ONLY

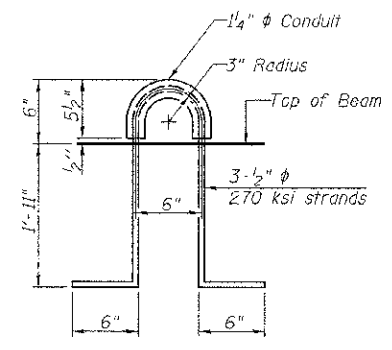
BAR	NO.	SIZE	LENGTH	SHAPE
A(E)	62	#4	3'-7"	—
B(E)	5	#5	*65'-11"	—
B1(E)	4	#4	*65'-11"	—
S(E)	92	#4	7'-5"	⌈
S1(E)	10	#4	6'-11"	⌈
S2(E)	82	#4	7'-2"	⌈
U(E)	12	#5	4'-6"	⌈
U1(E)	4	#4	6'-0"	⌈

* Total Length, Lap as necessary

Note: See sheet 2 of 11 for additional details and Bill of Material.

MIN. BAR LAP

#4 bar = 2'-0"
#5 bar = 2'-6"



LIFTING LOOP DETAIL

SUPERSTRUCTURE DETAILS
BUREAU COUNTY
SECTION 07-03126-00-BR
T.R. 109 OVER WEST BUREAU CREEK

SHEET NO. 3	ROUTE NO.	SECTION	COUNTY	TOTAL SHEETS	SHEET NO.
	TR 109	07-03126-00-BR	BUREAU	61	16
11 SHEETS	S.N. 006-4553		CONTRACT NO. 87528		
FED. ROAD DIST. NO. 7		ILLINOIS	FED. AID PROJECT BR05-0011(087)		