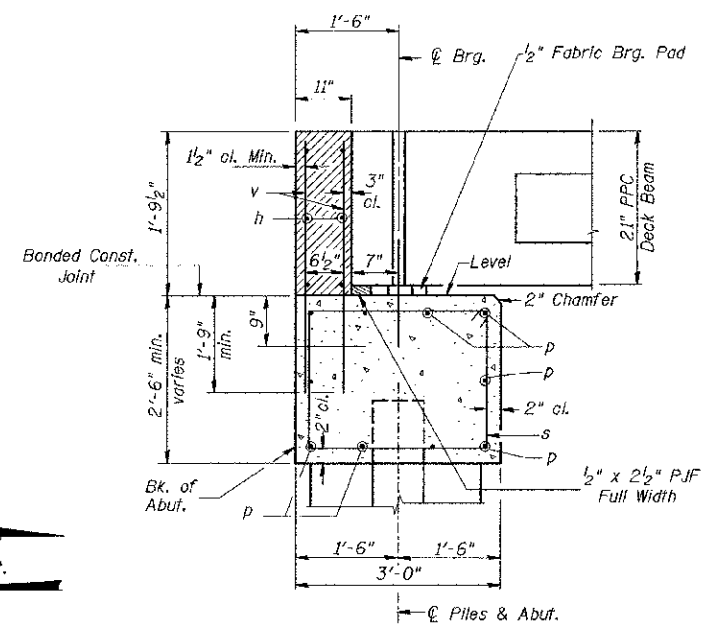
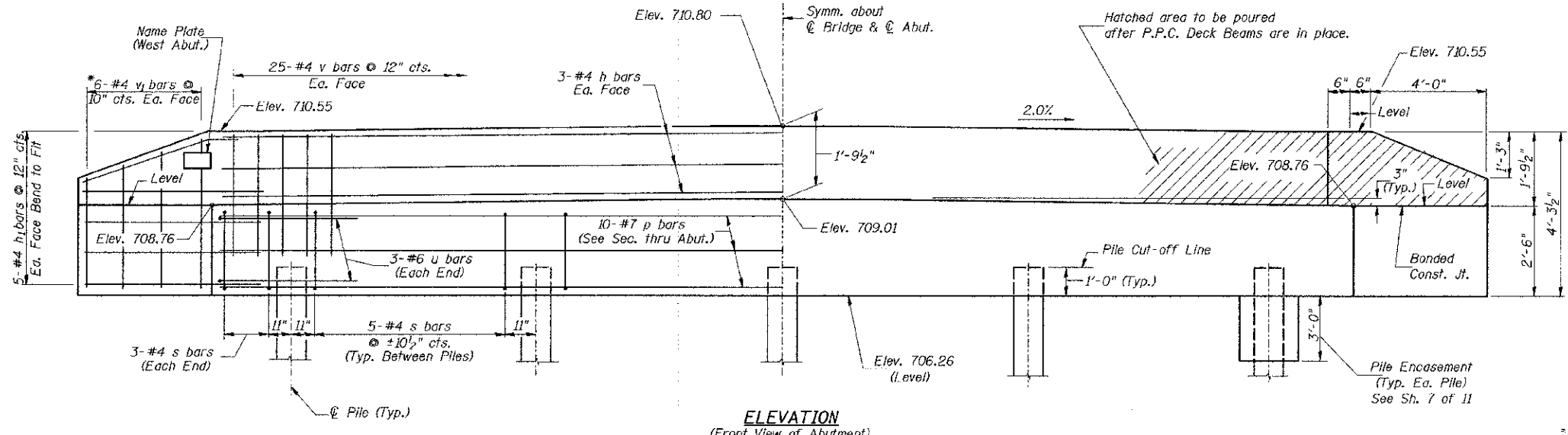


PLAN



SECTION THRU ABUT.



ELEVATION
(Front View of Abutment)

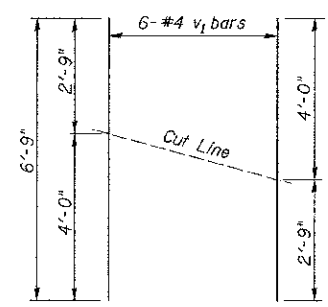
**TWO ABUTMENTS
BILL OF MATERIAL**

BAR NO.	SIZE	LENGTH	SHAPE
h	12	#4	24'-9"
h ₁	40	#4	6'-6"
p	20	#7	24'-9"
s	52	#4	10'-5"
u	12	#6	11'-7"
v	100	#4	3'-6"
v ₁	24	#4	6'-9"
Concrete Structures			CU YD 19.8
Reinforcement Bars			POUND 2,300
Name Plates			EACH 1
Furnishing Metal Shell Piles 12"x0.250"			FOOT 224
Driving Piles			FOOT 224
Test Pile Metal Shells			EACH 2
Pile Shoes			EACH 10
Concrete Encasement			CU YD 2.6

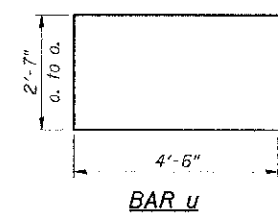
DESIGN STRESSES
 $f'_c = 3,500$ p.s.i.
 $f_y = 60,000$ p.s.i.

- NOTES**
- The Backwall and the portion of the Wingwalls above the bonded construction joint shall be cast against the in-place beam.
 - Reinforcement bars shall conform to ASTM A706 Grade 60.

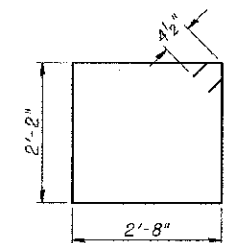
PILE DATA
 Type & Size: Metal Shell 12"x0.250" walls w/ Pile Shoes
 Nominal Required Bearing: 185 kips
 Factored Resistance Available: 100 kips
 Est. Length: 27' West Abutment
 29' East Abutment
 No. Req'd.: 10 (Includes 1 Test Pile at Each Abut.)



BAR CUTTING DIAGRAM
 *Order v₁ bars full length. Cut as shown and use remainder of bars in opposite face.



BAR u



BAR s

SHEET NO. 6 11 SHEETS	ROUTE NO.	SECTION	COUNTY	TOTAL SHEETS	SHEET NO.
	TR 109	07-03126-00-BR	BUREAU	61	41
S.N. 006-4089			CONTRACT NO. 87528		
FED. ROAD DIST. NO. 7		ILLINOIS	FED. AID PROJECT BR05-0011(087)		

**ABUTMENTS
BUREAU COUNTY
SECTION 07-03126-00-BR
T.R. 109 OVER LIME CREEK TRIBUTARY**