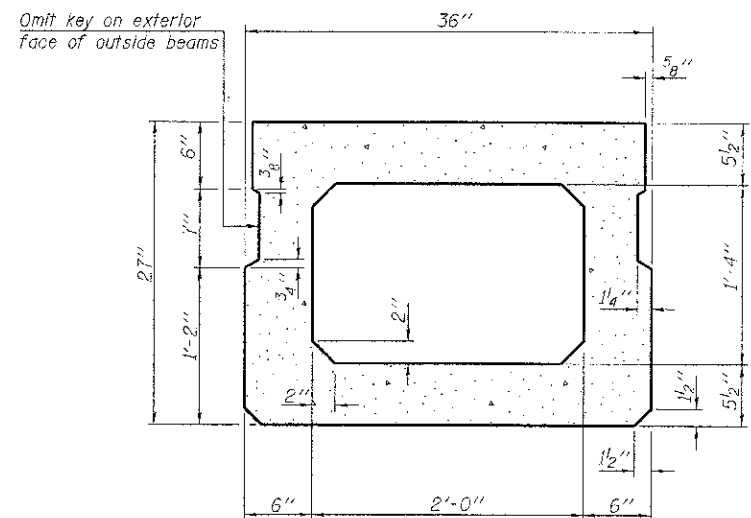
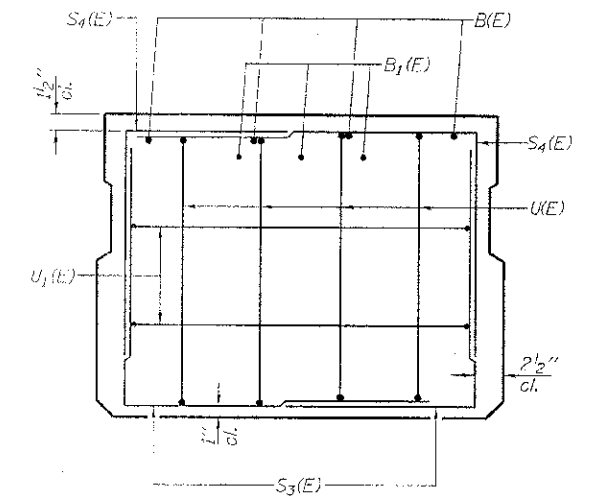


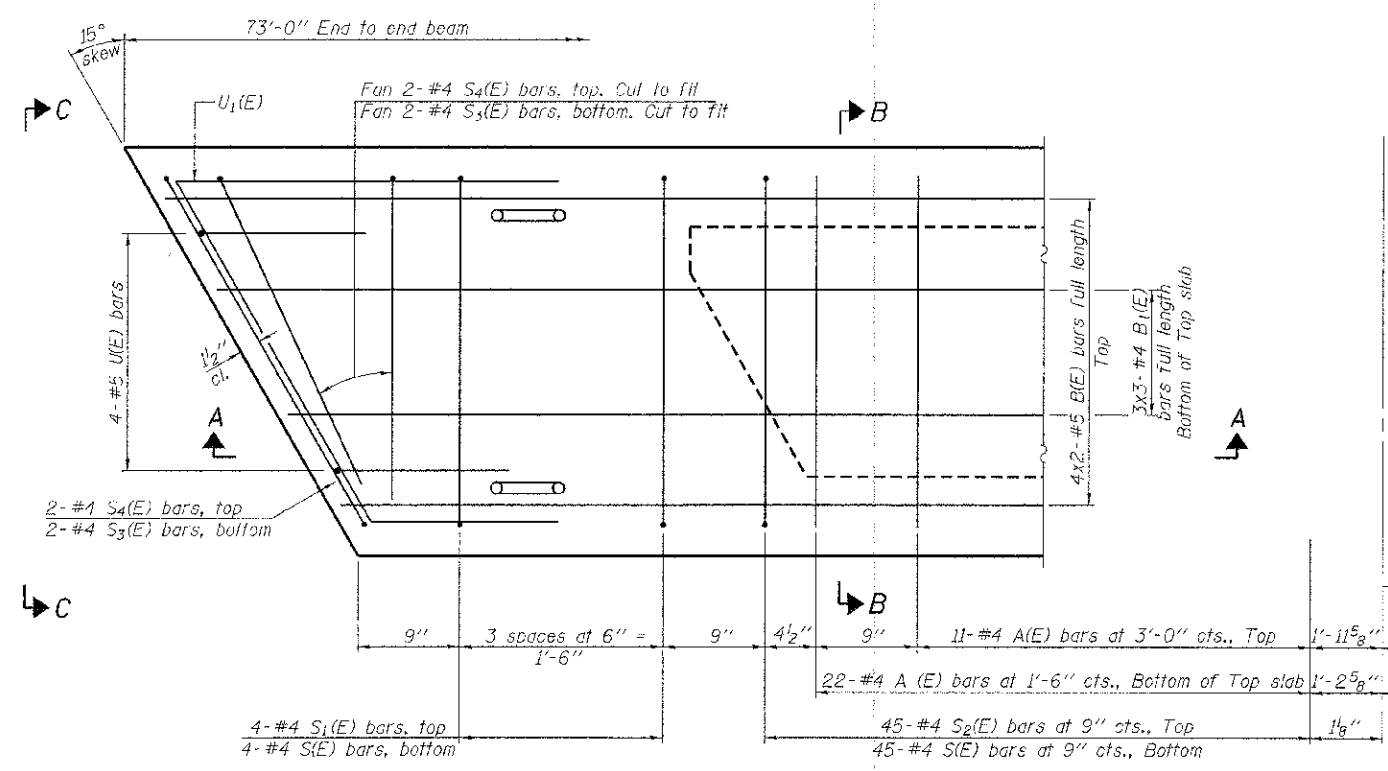
SECTION A-A



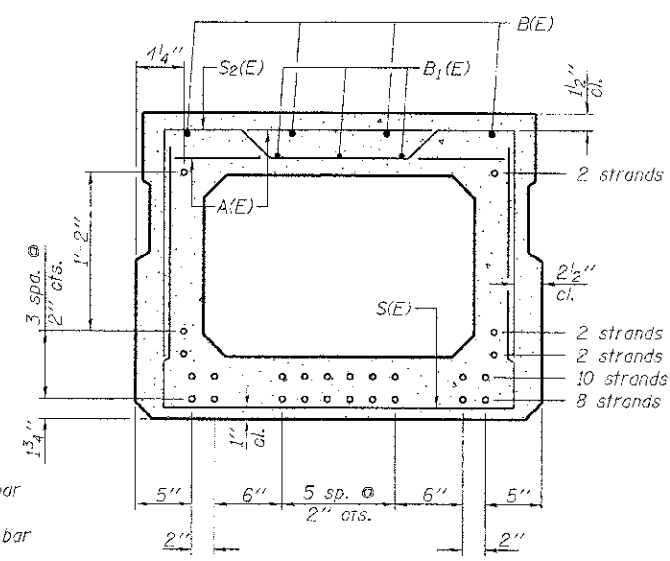
SECTION B-B
(Showing dimensions)



VIEW C-C



PLAN VIEW



SECTION B-B

(Showing reinforcement and permissible strand locations)
 Note: Place the number of strands specified in each row symmetrically about the centerline of beam in the permissible strand locations shown.

BAR LIST
ONE BEAM ONLY
(For information only)

Bar	No.	Size	Length	Shape
A(E)	68	#4	2'-7"	—
B(E)	8	#5	37'-8"	—
B1(E)	9	#4	25'-7"	—
S(E)	98	#4	6'-5"	U
S1(E)	8	#4	5'-11"	U
S2(E)	90	#4	6'-2"	U
S3(E)	8	#4	4'-2"	J
S4(E)	8	#4	3'-11"	J
U(E)	8	#5	4'-6"	C
U1(E)	4	#4	5'-9"	L

Note: See sheet 3 & 4 of 12 for additional details and Bill of Material.

MINIMUM BAR LAP

- #4 bar = 2'-0"
- #5 bar = 2'-6"

Notes:
 Spacing of S(E) and S2(E) bars may be adjusted up to 4" in the immediate area of the transverse tie diaphragms to miss the block outs for the transverse ties.
 Bars Indicated thus 4x2-#5 etc. Indicates 1 line of bars with 2 lengths per line.

PD-2736-R

7-1-10

FILE NAME = 110246-shr-brsdgndr	USER NAME =	DESIGNED - D.A.B.	REVISED -
HAMPTON, LENZINI AND RENWICK, INC.		CHECKED - S.W.M.	REVISED -
3005 STEVENSON DRIVE, SUITE 201 2704 W. 97TH ST., MUKWAGO, IL 60053	PLOT SCALE =	DRAWN - D.A.B.	REVISED -
ILLINOIS PROFESSIONAL DESIGN FIRM LD-7-95-106-001P - 104-000001	PLOT DATE = 12/28/2012	CHECKED - S.W.M.	REVISED -

STATE OF ILLINOIS
LIVINGSTON COUNTY HIGHWAY DEPARTMENT

27" x 36" PPC DECK BEAM
STRUCTURE NO. 053-4207

T.R.	SECTION	COUNTY	TOTAL SHEETS	SHEET NO.
29	11-16105-05-BR	LIVINGSTON	21	11
NEVADA ROAD DISTRICT	CONTRACT NO. 87536			ILLINOIS FED. AID PROJECT

SHEET NO. 2 OF 12 SHEETS