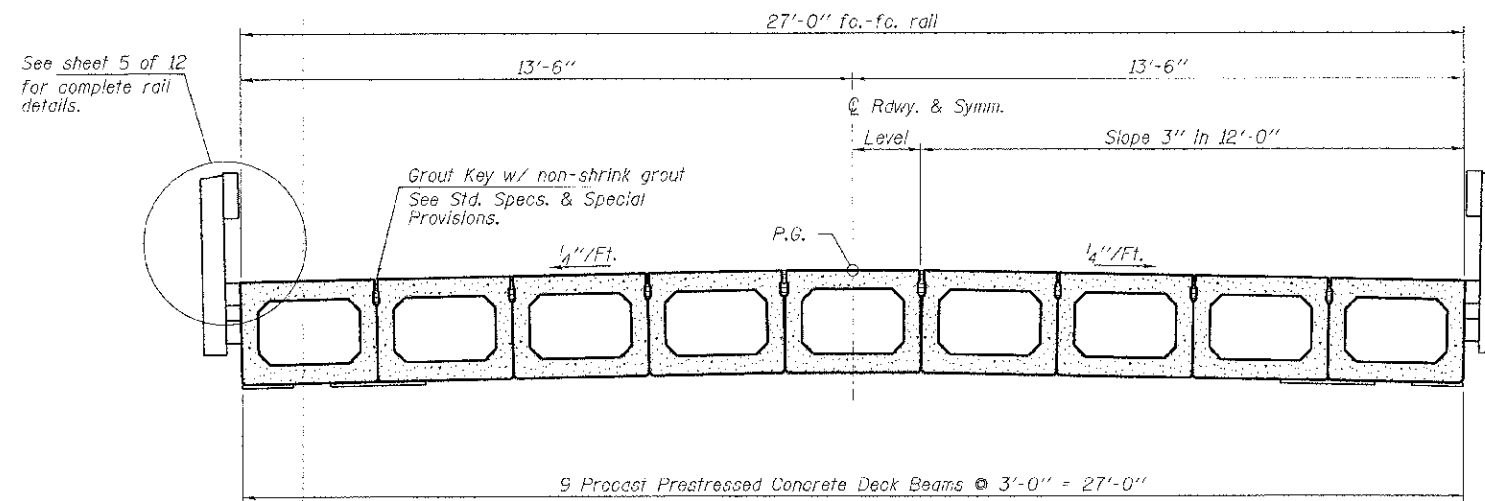
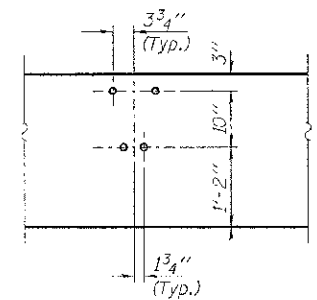


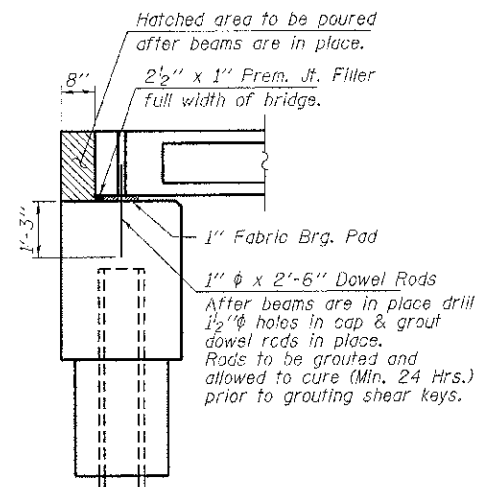
ELEVATION
Showing Rail Post Spaces
See sheet 5 of 12 for Railing Details.



CROSS SECTION
See sheets 2 & 3 of 12 for Superstructure.



DETAIL A



SECTION AT ABUTMENTS
@ Rt. L's

FILE NAME = 110245-shr-bridge.dgn	USER NAME =	DESIGNED - D.A.B.	REVISED -	STATE OF ILLINOIS LIVINGSTON COUNTY HIGHWAY DEPARTMENT	SUPERSTRUCTURE DETAILS STRUCTURE NO. 053-4207	T.R.	SECTION	COUNTY	TOTAL SHEETS	SHEET NO.	
HAMPTON, LENZINI AND RENWICK, INC. 3843 STEVENSON DRIVE, SUITE 201 SPRINGFIELD, ILLINOIS 62705	PLOT SCALE =	CHECKED - S.W.M.	REVISED -			29	11-16105-05-89	LIVINGSTON	21	13	
HLR ILLINOIS PROFESSIONAL DESIGN FIRM LS / PE, SEC. 0017 184 003550	PLOT DATE = 12/26/2012	DRAWN - D.A.B.	REVISED -			NEVADA ROAD DISTRICT	CONTRACT NO. 87536		ILLINOIS FED. AID PROJECT		
		CHECKED - S.W.M.	REVISED -			SHEET NO. 4 OF 12 SHEETS					