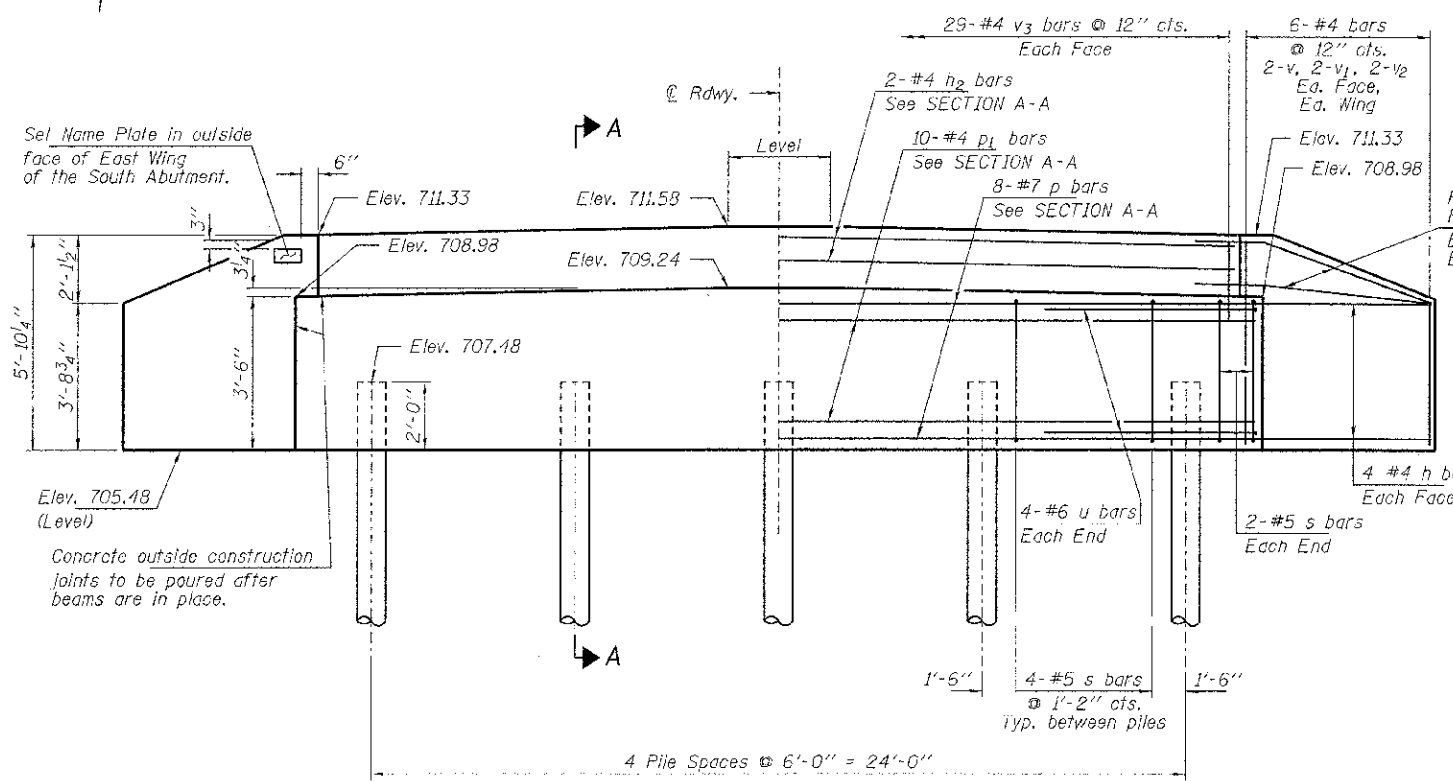
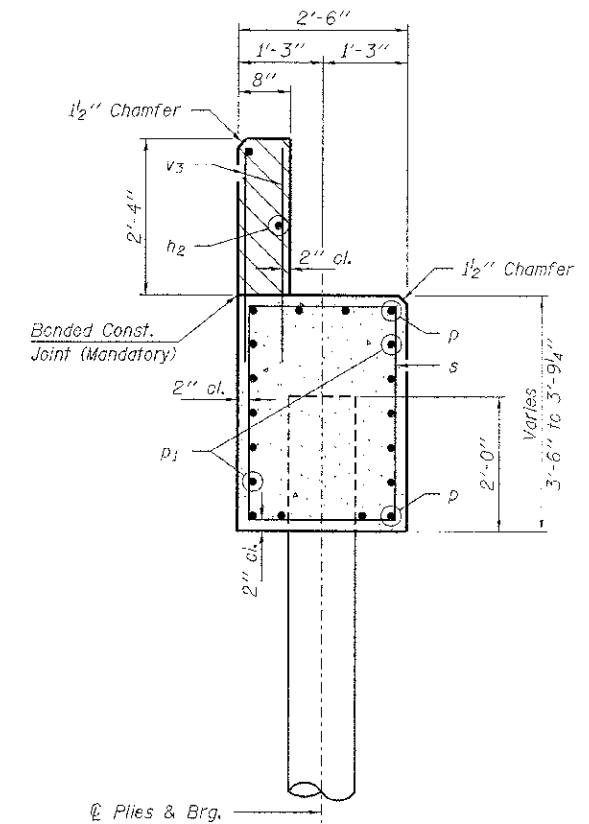


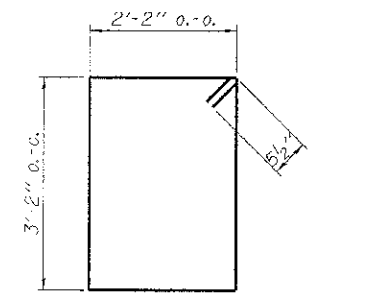
PLAN



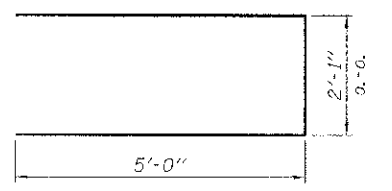
ELEVATION
(Looking South)



SECTION A-A



BAR s



BAR u

Note: Extend h bars into abutment cap.

Hatched area to be poured after beams are in place.

BILL OF MATERIAL - S. ABUT.

BAR	NO.	SIZE	LENGTH	SHAPE
h	20	#4	6'-6"	—
h1	4	#4	5'-0"	—
h2	2	#4	28'-2"	—
p	8	#7	28'-2"	—
p1	10	#4	28'-2"	—
s	20	#5	11'-7"	□
u	8	#6	12'-1"	—
v	8	#4	5'-5"	—
v1	8	#4	4'-5"	—
v2	8	#4	3'-5"	—
v3	58	#4	3'-2"	—
Concrete Structures			Cu. Yd.	12.7
Reinforcement Bars			Pound	1,370
Metal Shell Piles 12"x.25"			Foot	120
Test Pile Metal Shell 12"x.25"			Each	1
Name Plates			Each	1

PILE DATA

Type ----- Metal Shell 12"x.25"
 No. Req'd. (S. Abut.) ----- 5
 Factored Resistance Available (Rf) ----- 165 Kips/Pile
 Nominal Required Bearing (Rn) ----- 300 Kips/Pile
 Est. Length ----- 30 Ft/Pile

Notes: * Includes one test pile to be driven in permanent location at the South Abutment.
 The test piles shall be driven to 110 percent of the Nominal Required Bearing Indicated in the pile data information.