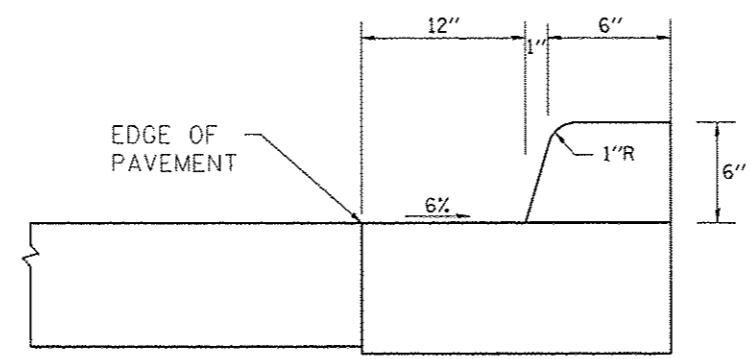



SECTION A - A



SECTION B - B

FILE NAME = S:\237\2012\23712001.00 (Soangetaha Bridge)\CADD\CADD Sheets\0412001-shr-outletdetail.dwg	USER NAME = jdspllor	DESIGNED - BT	REVISED -	 CITY OF GALESBURG	<b>SOANGETAHA ROAD</b> <b>TRANSITIONAL COMBINATION CONCRETE CURB AND GUTTER</b>			M.S.	SECTION	COUNTY	TOTAL SHEETS	SHEET NO.	
PLOT SCALE = 100.0000 1/4" = 1'-0"	PLOT DATE = 1/4/2013	DRAWN - BT/WLL	REVISED -		SCALE:	SHEET	OF	SHEETS	STA.	TO STA.	ILLINOIS	67	23
		CHECKED - RJA	REVISED -					651	07-00651-03-BR	KNOX			
		DATE -	REVISED -								CONTRACT NO. 89625		