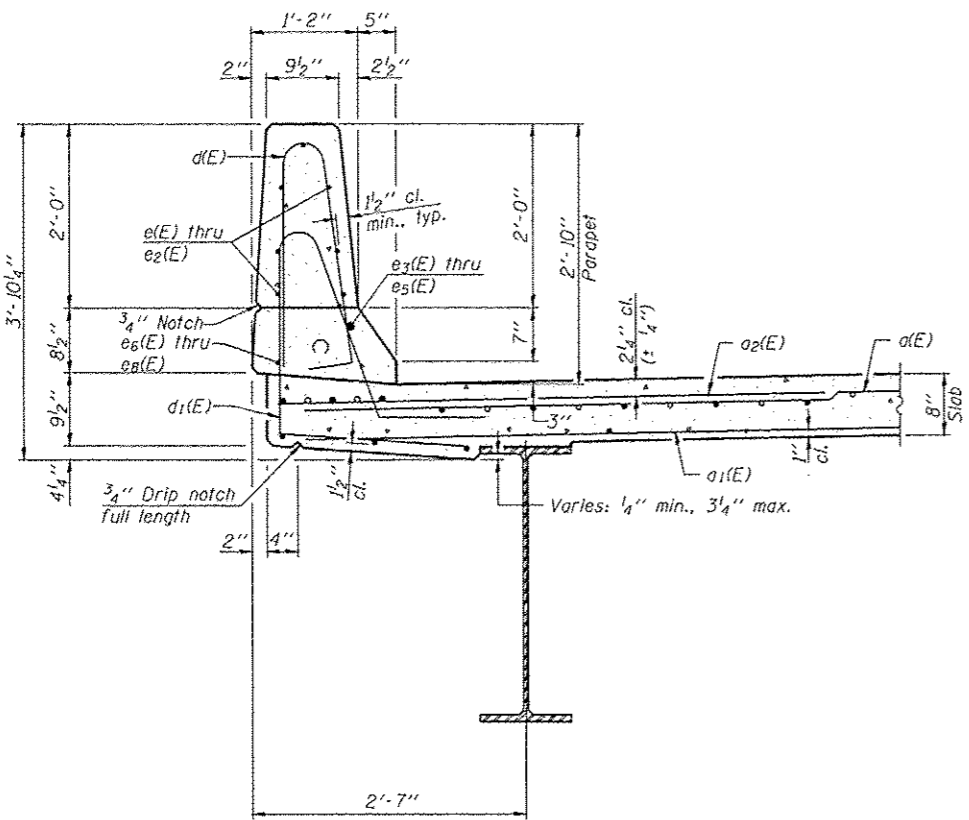


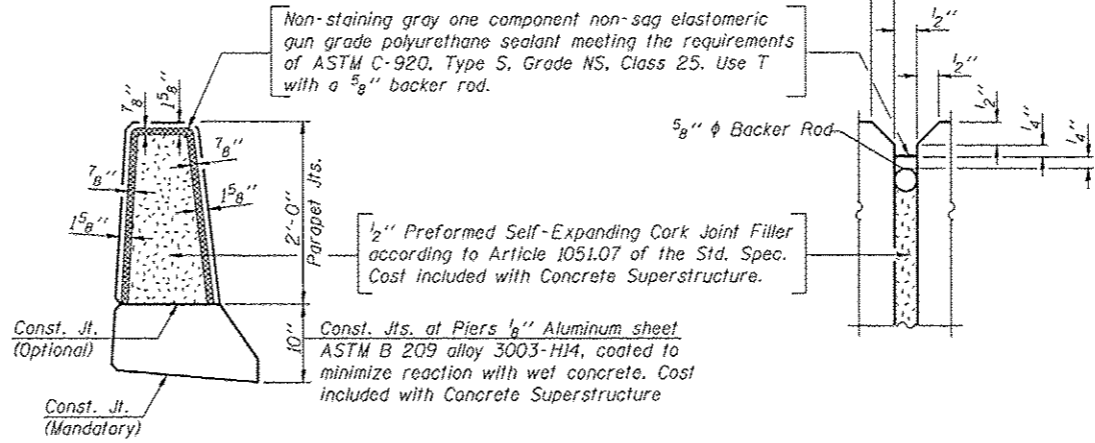
MINIMUM BAR LAP
 (Parapet)
 #4 bar = 2'-0"
 #8 bar = 5'-2"

INSIDE ELEVATION OF EAST PARAPET

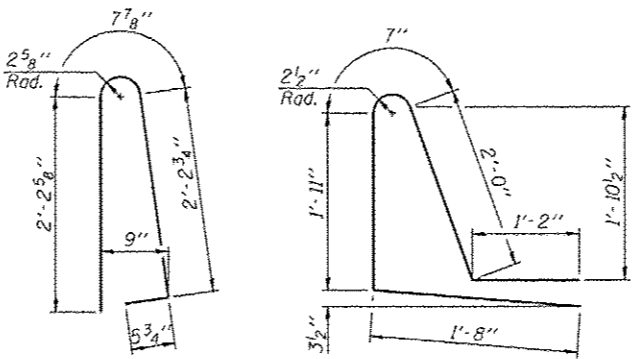
Notes:
 Bars indicated thus 1 x 2-#5 etc. indicates
 1 line of bars with 3 lengths per line.
 See sheet 11 of 26 for Bill of Material.



SECTION THRU EAST PARAPET



PARAPET JOINT DETAILS
 (East Parapet)



BAR d(E)

BAR d1(E)

FILE NAME : 0466063-09625-007-Super.dgn MAURER-STUTZ ENGINEERS SURVEYORS	USER NAME : bowman	DESIGNED : LVM	REVISED :		SUPERSTRUCTURE DETAILS STRUCTURE NO. 048-6063 SHEET NO. 8 OF 26 SHEETS	M.S. : 651	SECTION : 07-00651-03-BR	COUNTY : KNOX	TOTAL SHEETS : 67	SHEET NO. : 36
	PLOT SCALE :	CHECKED : BAS	REVISED :			CONTRACT NO. : 89625				
	PLOT DATE : 1/3/2013	DRAWN : SCM	REVISED :			ILLINOIS				
	CHECKED : BAS	REVISED :								