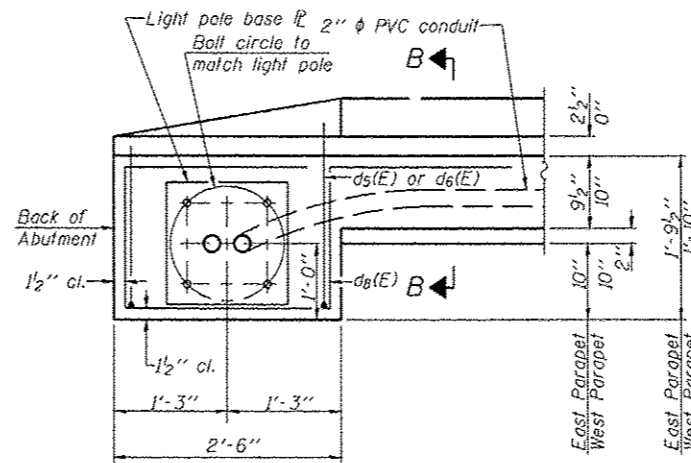
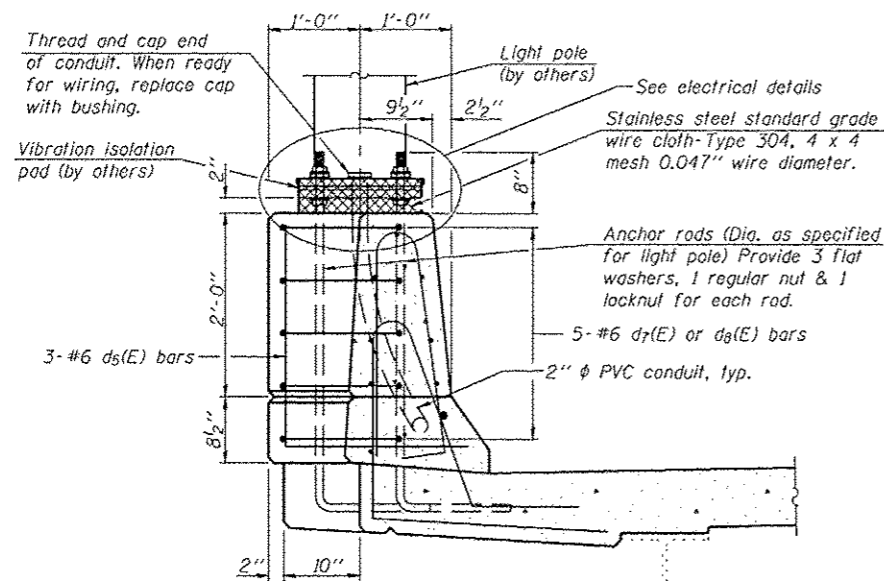
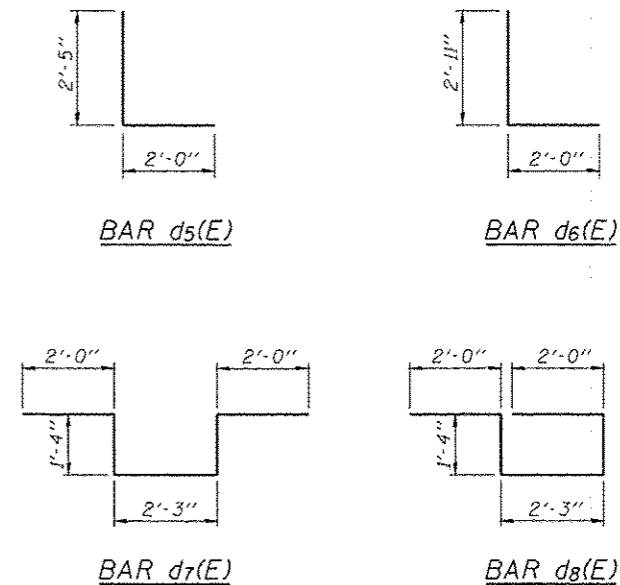


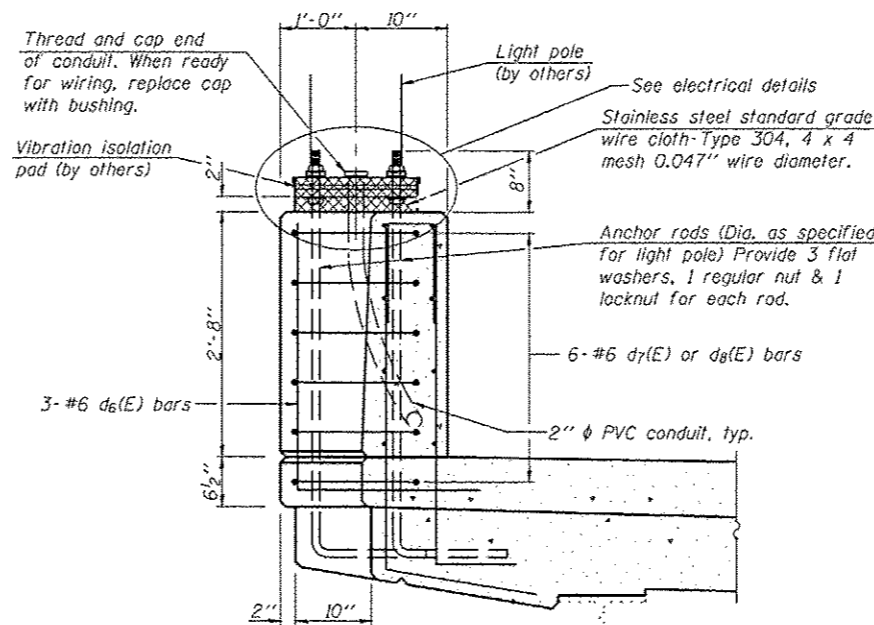
LIGHT POLE MOUNT PLAN
(at mid-span)



LIGHT POLE MOUNT PLAN
(at abutments)

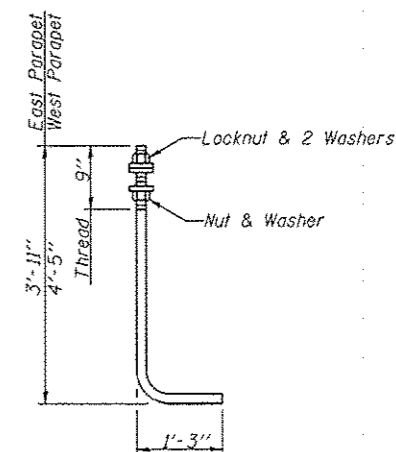


SECTION B-B
(East Parapet)



SECTION B-B
(West Parapet)

Notes:
Cost of anchor rods is included with Concrete Superstructure.
Provide minimum 1/2" clearance from conduit to all reinforcement bars.
See Electrical Plans for further details and quantities of conduit and light pole.
See sheet 7 of 26 for locations of light pole mounts.
See sheet 11 of 26 for Bill of Material.



ANCHOR ROD
Diameter as specified for light poles.
(ASTM F 1554 Grade 105)

FILE NAME 0486863-81025-887-Super.dgn	USER NAME baskanson	DESIGNED - LVM	REVISOR -		POST BASE DETAILS STRUCTURE NO. 048-6063	M.S.	SECTION	COUNTY	TOTAL SHEETS	SHEET NO.	
MAURER-STUTZ ENGINEERS SURVEYORS	PLOT SCALE	CHECKED - BAS	REVISOR -			651	07-00651-03-BR	KNOX	67	38	
PLOT DATE 1/3/2013		DRAWN - SCM	REVISOR -			CONTRACT NO. 89625					
		CHECKED - BAS	REVISOR -			ILLINOIS					

SHEET NO. 10 OF 26 SHEETS