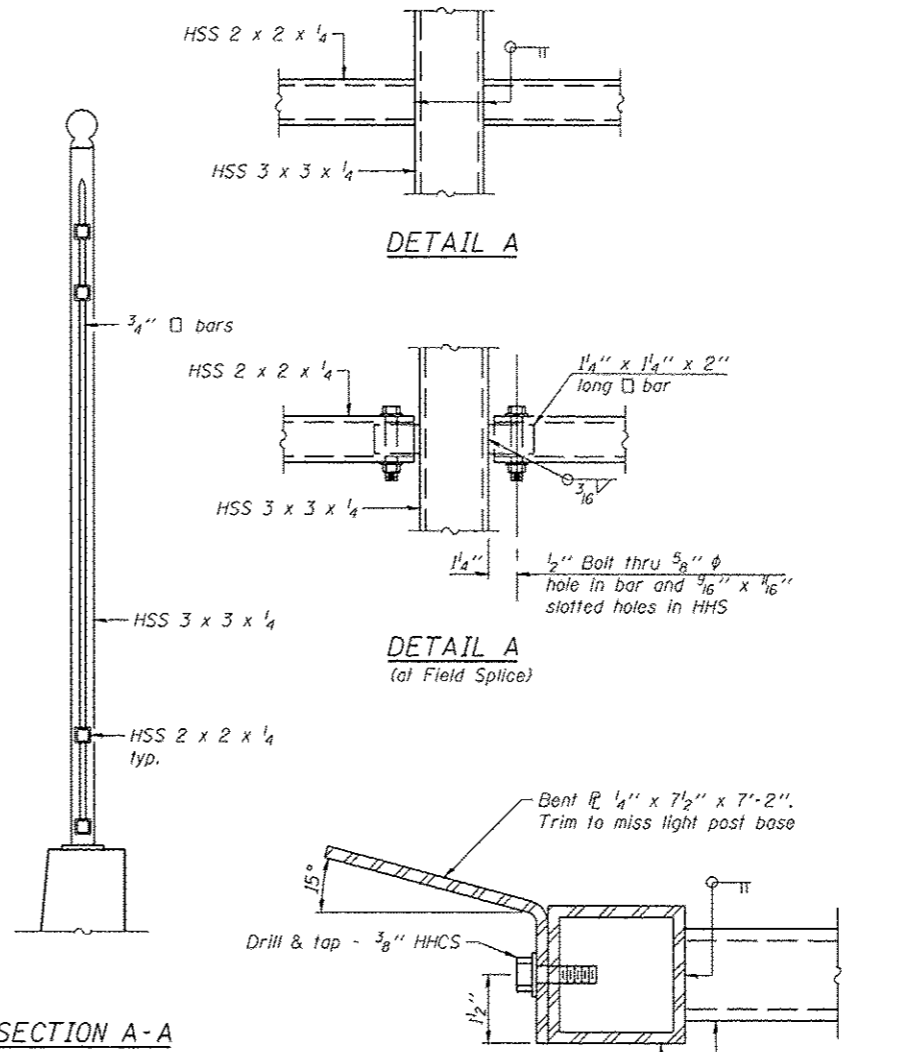


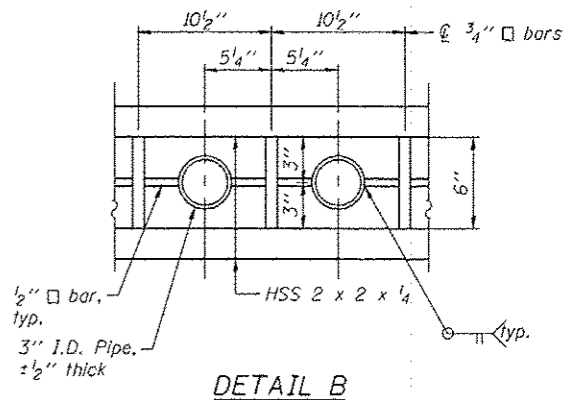
**ELEVATION**  
(Inside Face)



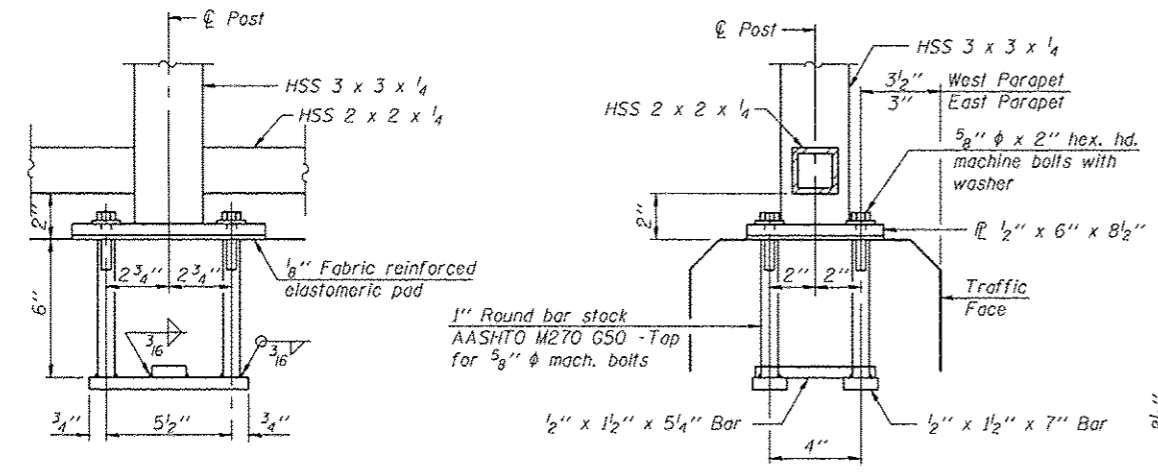
**SECTION A-A**

**SECTION B-B**

All steel elements shall be galvanized according to Article 509.05 of the Standard Specifications. All fence elements shall be painted Black per the Special Provisions for Bridge Fence Railing (Special). Posts and vertical bars shall be fabricated to be plumb when installed on the bridge. Bevel the base plate and angle the horizontal rails as necessary to follow the vertical curve across the bridge.

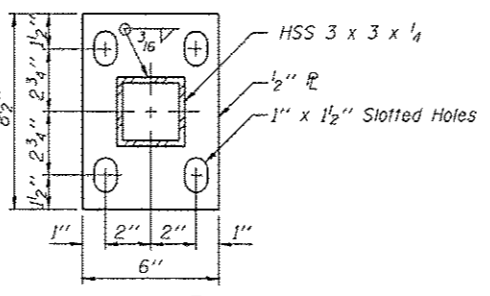


**DETAIL B**



**ANCHOR BOLT DETAILS**

In lieu of the cast-in-place anchor device shown, the Contractor has the option of drilling and setting 5/8" anchor rods according to Article 509.06 of the Standard Specifications. Embedment shall be according to the manufacturer's specifications. Submit installation procedure and details to Engineer for approval.



**BASE PLATE**

**BILL OF MATERIAL**

Item	Unit	Quantity
Bridge Fence Railing (Special)	Foot	308

FILE NAME: 0486063-89625-014-Fence Railings.dgn  
**MAURER-STUTZ**  
ENGINEERS SURVEYORS

USER NAME: bobsonson  
DESIGNED: LVM  
CHECKED: BAS  
DRAWN: SCM  
CHECKED: BAS  
PLOT SCALE: \*  
PLOT DATE: 1/3/2013

DESIGNED: LVM  
CHECKED: BAS  
DRAWN: SCM  
CHECKED: BAS  
REVISED: -  
REVISED: -  
REVISED: -  
REVISED: -



**CITY OF GALESBURG**

**BRIDGE FENCE RAILING, PARAPET MOUNTED**  
**STRUCTURE NO. 048-6063**

SHEET NO. 14 OF 26 SHEETS

M.S.	SECTION	COUNTY	TOTAL SHEETS	SHEET NO.
651	07-00651-03-BR	KNOX	67	42
				CONTRACT NO. 89625

ILLINOIS