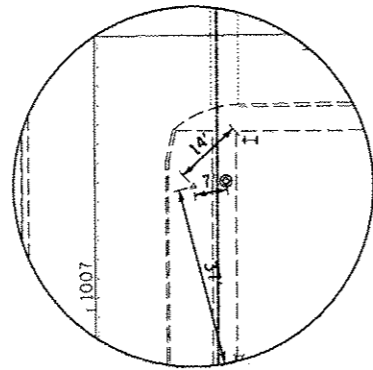
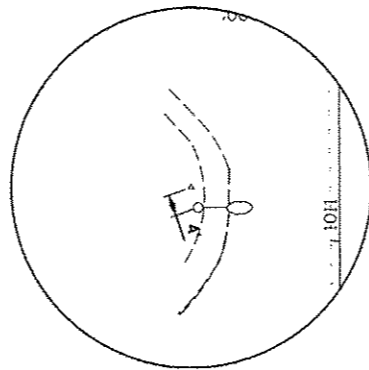


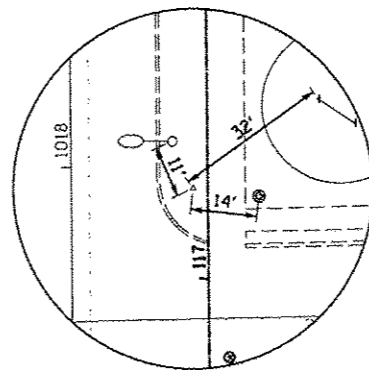
CONTROL POINT #1
 STA 100+07.2, 4.58' LT
 12" IRON PIN WITH CAP
 X: 1176760.7033, Y: 1263693.8107



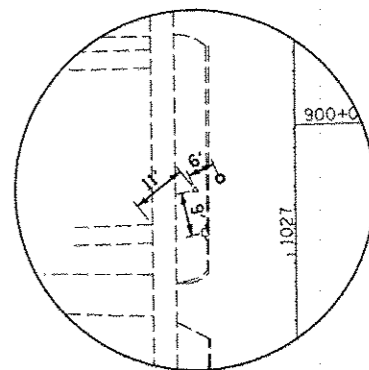
CONTROL POINT #2
 STA 106+48.6, 5.00' LT
 12" IRON PIN WITH CAP
 X: 1176754.9222, Y: 1264335.2026



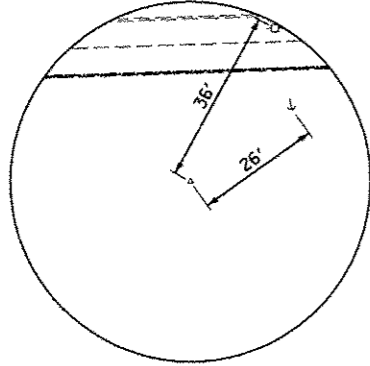
CONTROL POINT #3
 STA 110+34.5, 59.86' LT
 12" IRON PIN WITH CAP
 X: 1176700.3360, Y: 1264720.4074



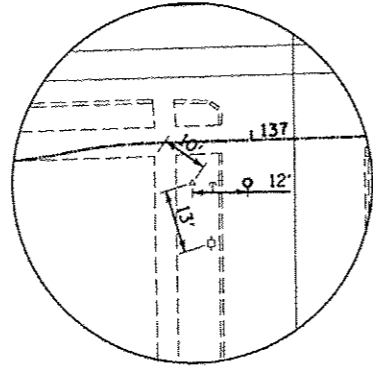
CONTROL POINT #4
 STA 117+10.7, 3.05' LT
 12" IRON PIN WITH CAP
 X: 1176749.6928, Y: 1265405.0853



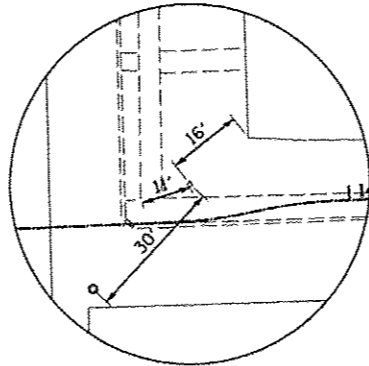
CONTROL POINT #5
 STA 126+14.2, 55.70' LT
 12" IRON PIN WITH CAP
 X: 1176692.1005, Y: 1266322.6713



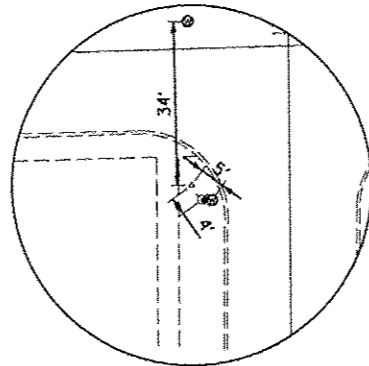
CONTROL POINT #6
 STA 131+38.5, 25.98' RT
 12" IRON PIN WITH CAP
 X: 1177264.4412, Y: 1266301.7359



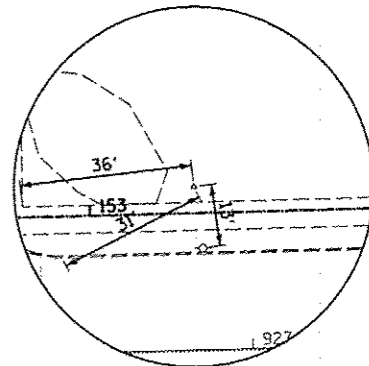
CONTROL POINT #7
 STA 136+87.4, 8.55' RT
 12" IRON PIN WITH CAP
 X: 1181468.1822, Y: 1266466.1041



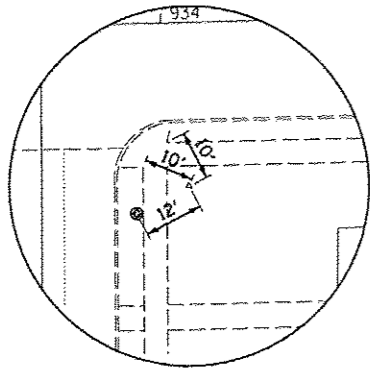
CONTROL POINT #8
 STA 144+67.1, 7.71' LT
 12" IRON PIN WITH CAP
 X: 1177812.2920, Y: 1266338.1094



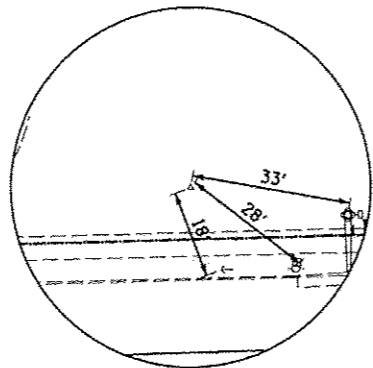
CONTROL POINT #9
 STA 148+93.3, 49.44' RT
 12" IRON PIN WITH CAP
 X: 1178544.3597, Y: 1266432.7928



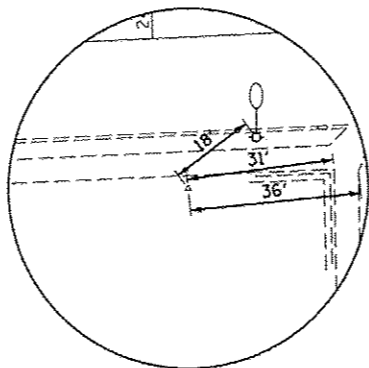
CONTROL POINT #10
 STA 153+21.8, 5.48' LT
 12" IRON PIN WITH CAP
 X: 1176972.3388, Y: 1266393.1410



CONTROL POINT #11
 STA 160+38.9, 62.52' RT
 12" IRON PIN WITH CAP
 X: 1179398.8218, Y: 1266461.3392



CONTROL POINT #12
 STA 166+66.5, 10.83' LT
 12" IRON PIN WITH CAP
 X: 1180117.1134, Y: 1266413.7622



CONTROL POINT #13
 STA 173+54.7, 71.43' RT
 12" IRON PIN WITH CAP
 X: 1180742.3366, Y: 1266505.0694

PRINTED DATE: 10/20/2012
 PLOT DATE: 10/20/2012
 PLOT TIME: 10:12:51 AM
 PLOT USER: jeh
 PLOT DEVICE: HP DesignJet 2450
 PLOT SCALE: 1:1
 PLOT SHEET: 13 OF 40
 PLOT PATH: C:\Users\jeh\AppData\Local\Temp\11767607033_11767607033.dwg

ESI CONSULTANTS, LTD
 753 WINDSOR ROAD
 CHARLESTON, IL 61920
 (217) 548-1800
 WWW.ESICONSULTANTS.LTD.COM
 ILLINOIS DEPARTMENT OF PROFESSIONAL REGULATION REGISTRATION #184-003655

CITY OF DANVILLE
 1155 E. VOORHEES STREET
 SUITE A
 DANVILLE, IL 61832

NO.	DATE	DESCRIPTION OF REVISIONS	NO.	DATE	DESCRIPTION OF REVISIONS

SECTION NO. 06-00224-00-BT
 ENGR: ADG
 ES! PROJECT NO: 07-163-074-01
 DRAWN BY: ADG
 CHECKED BY: JEH
 DATE: 10-31-2012
 QC/QA: DLCPAT

LINCOLN PARK HISTORIC DIST SHARED USE PATH
 CITY OF DANVILLE, VERMILION COUNTY

ALIGNMENT TIES

DRAWING NO. **13**
 OF 40