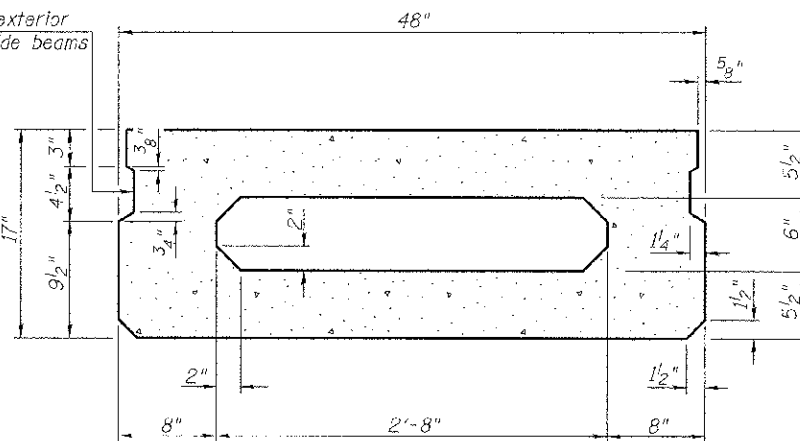


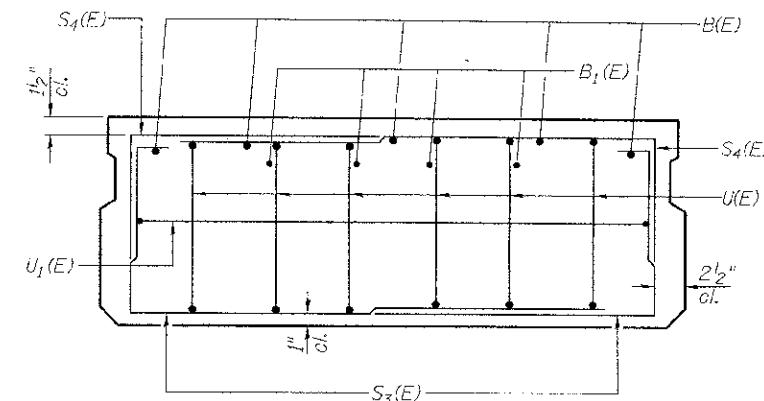
SECTION C-C

** Omit key on exterior face of outside beams

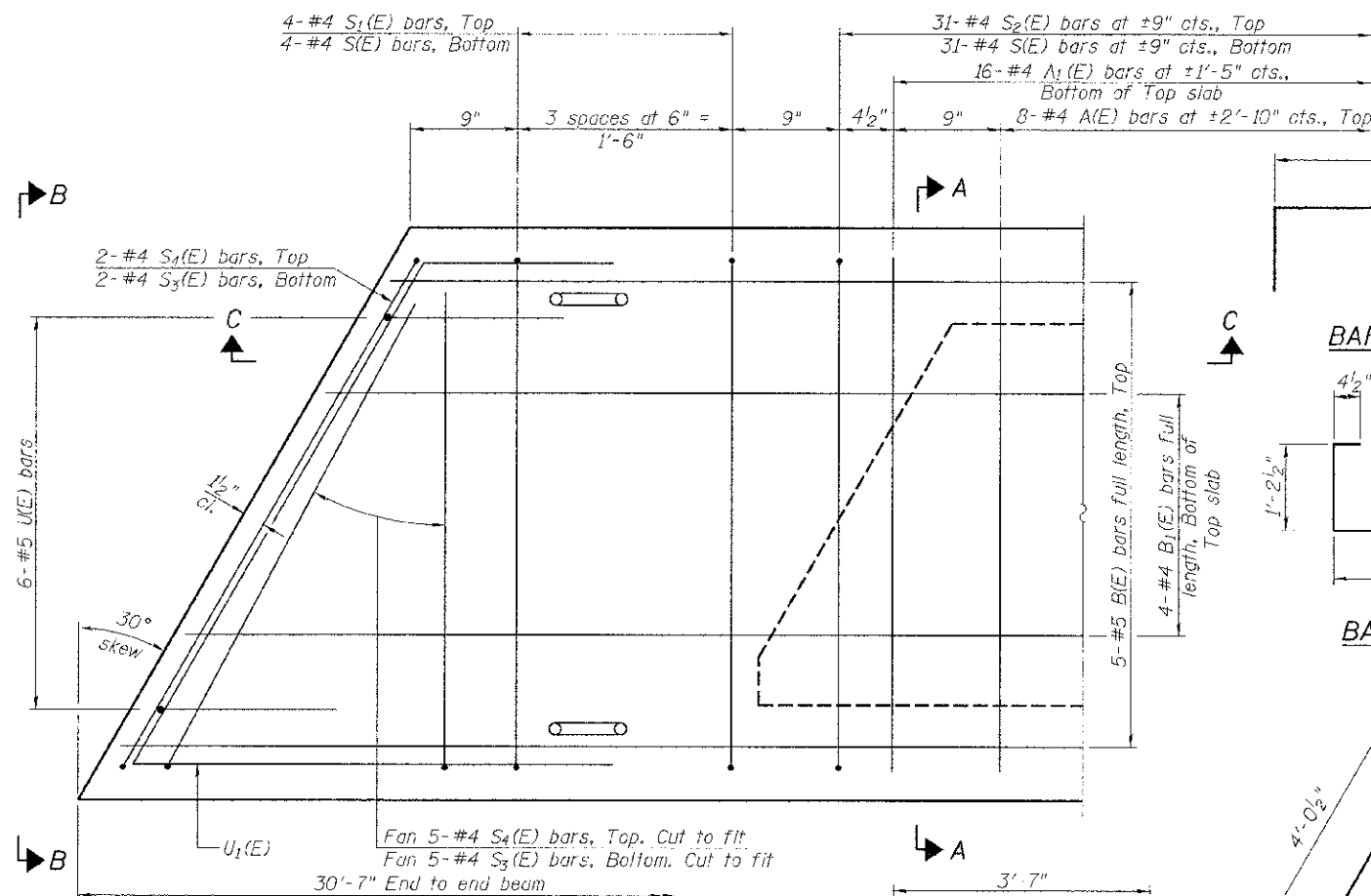


SECTION A-A (Showing dimensions)

** Rail post anchor devices (Sheet 6 of 12) to be cast into exterior face of outside beams.



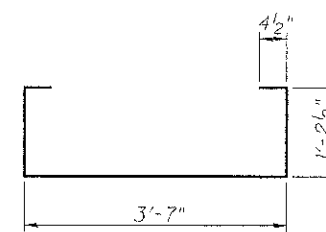
VIEW B-B



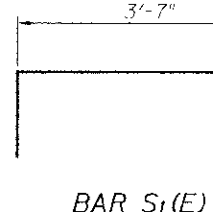
PLAN VIEW

Note: Spacing of S1(F) and S2(F) bars may be adjusted up to 4" in the immediate area of the transverse tie diaphragms to miss the block outs for the transverse ties.

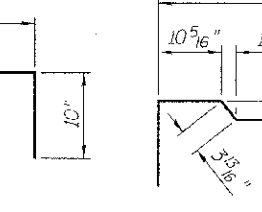
MINIMUM BAR LAP
#4 bar = 2'-0"
#5 bar = 2'-6"



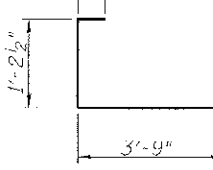
BAR S(E)



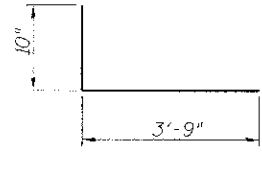
BAR S1(E)



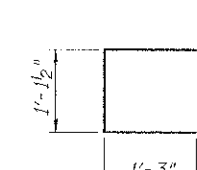
BAR S2(E)



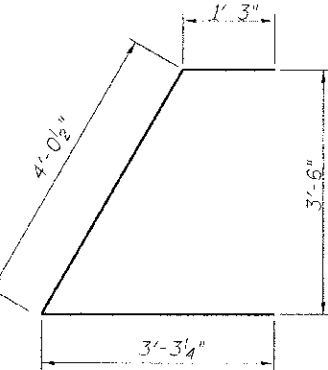
BAR S3(E)



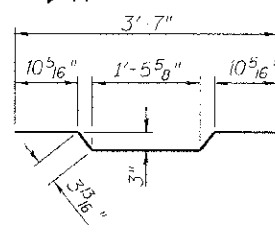
BAR S4(E)



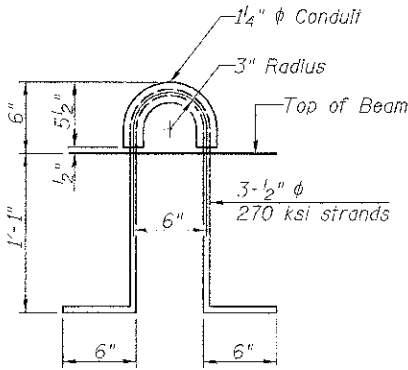
BAR U(E)



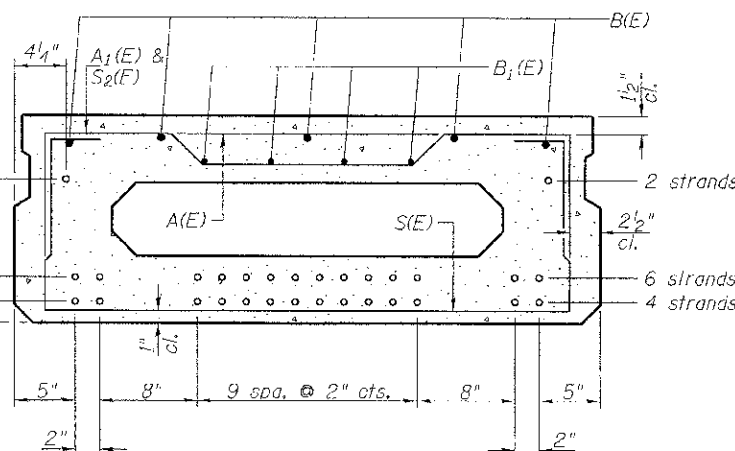
BAR U1(E)



BAR A1(E)



LIFTING LOOP DETAIL



SECTION A-A

12-1/2" Strands Each Strand Stressed to 30,900 Lbs.
4-Strands 1 3/4" up, 6-Strands 3 3/4" up, 2-Strands 11 3/4" up
Note: Place the number of strands specified in each row symmetrically about the centerline of beam in the permissible strand locations shown.

BAR LIST-ONE BEAM ONLY (For information only)

Bar	No.	Size	Length	Shape
A(E)	8	#4	3'-7"	—
A1(F)	16	#4	3'-10"	—
B(E)	5	#5	*30'-4"	—
B1(E)	4	#4	*30'-4"	—
S(E)	39	#4	6'-9"	□
S1(E)	8	#4	5'-3"	□
S2(E)	31	#4	5'-6"	□
S3(E)	14	#4	5'-4"	□
S4(E)	14	#4	4'-7"	□
U(E)	12	#5	3'-8"	□
U1(F)	2	#4	8'-7"	□

*Total Length, Lap as Necessary.

Note: See sheet 2 of 12 for additional details and Bill of Material.

SUPERSTRUCTURE DETAILS - SPANS 1 & 3
BROWN COUNTY
SECTION 10-04118-00-BR
T.R. 141 OVER WELLS FORK

SHEET NO. 3 12 SHEETS	ROUTE NO. TR 141	SECTION 10-04118-00-BR	COUNTY BROWN	TOTAL SHEETS 24	SHEET NO. 9
	S.N. 005-3407		CONTRACT NO. 93588		
	FED. ROAD DIST. NO. 7 ILLINOIS		FED. AID PROJECT BR05-0009(22)		