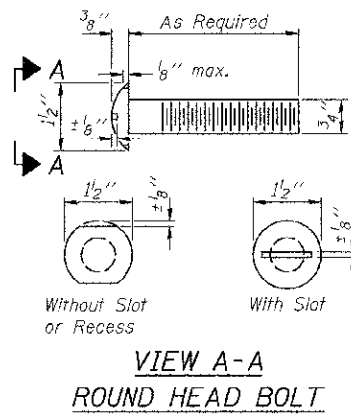
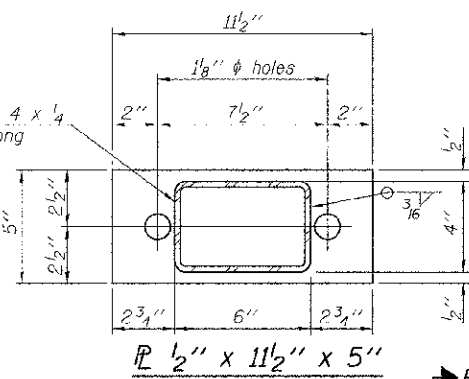


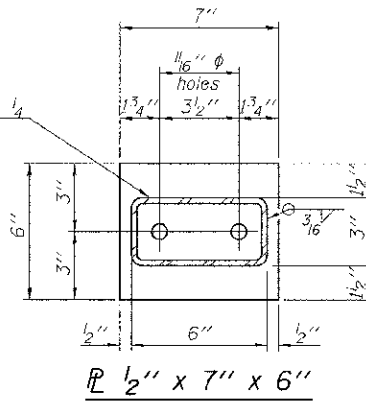
FOR RAIL POST SPACING SEE SH.#7 OF 12



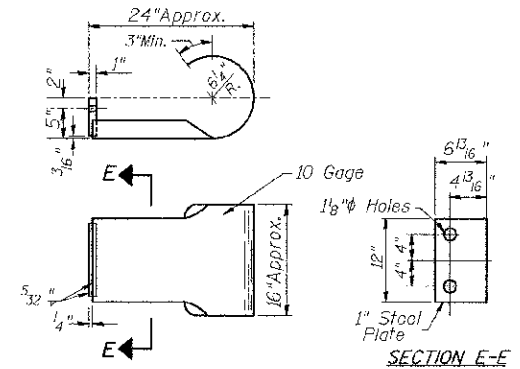
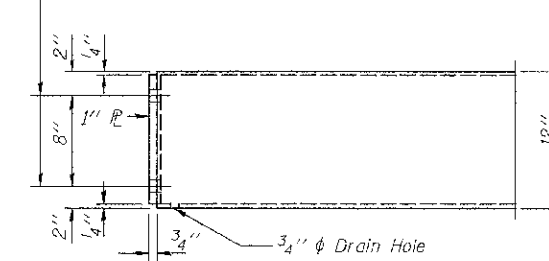
HSS 6 x 4 x 1/4
x 3 3/8" long



HSS 6 x 3 x 1/4
x 3 3/8" long



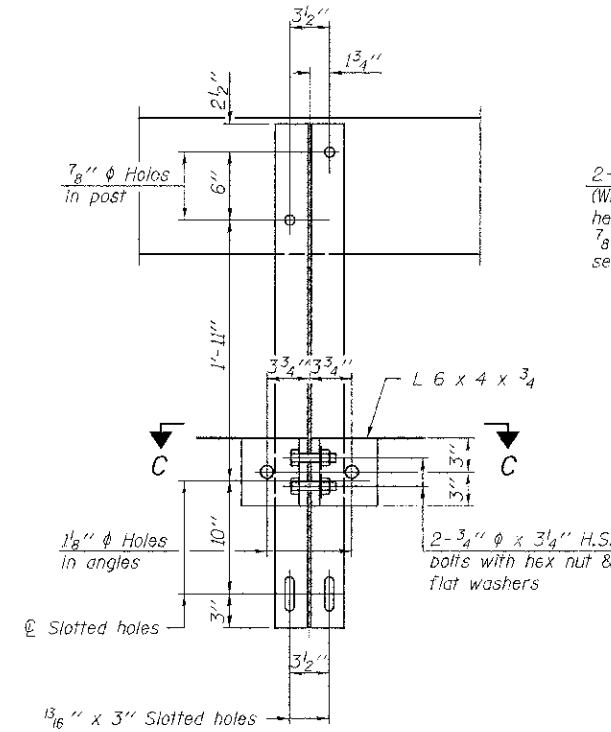
1/8" diameter Holes for 1" x 4" Round Head Bolts.
Provide 2 flat washers & locknuts for Curled
End Section connection.



(4 Req'd) Cost Included with Steel Railing, Type S-1.
Terminal Markers - Direct Applied shall be placed on
end of each Curled End Section. (Each Corner)

NOTES

All field drilled holes shall be coated with an approved zinc rich paint before erection.
For multi-span bridges, sufficient 1/4" x 6" x 1'-2" galvanized steel shims shall be provided to align rail between adjacent spans. Cost Included with Steel Railing, Type S-1.
All steel rail elements shall be galvanized according to Article 509.05 of the Standard Specifications.
*** The studs of the anchor devices shall be placed below the top reinforcement bars and the outermost longitudinal reinforcement bar shall be placed directly above the studs of the rail post anchor device.



2-3/4" diameter x 6" Round Head Bolts
(With slot or approved recess in head) with locknut & flat washer.
7/8" diameter holes in hollow structural section may be drilled in the field.

W6 x 25

3/16" x 5 1/2" Slotted hole in post

3/16" diameter Holes in angles

2-3/4" diameter x 3 3/4" H.S. bolts with hex nut & flat washers

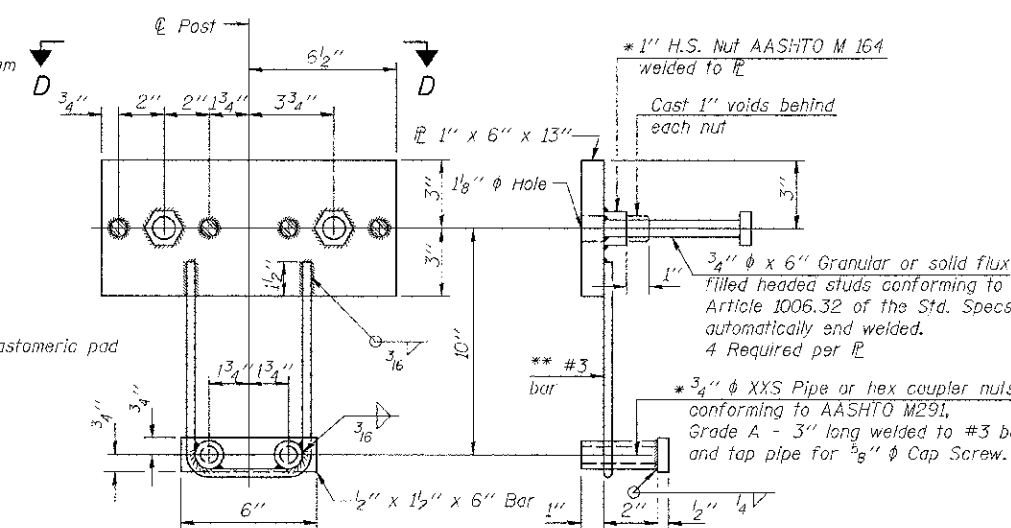
2-1" diameter x 7 3/4" AASHTO M-164 anchor bolts with flat washer and lock washer

2-5/8" diameter x 5 3/4" cap screws with flat washer

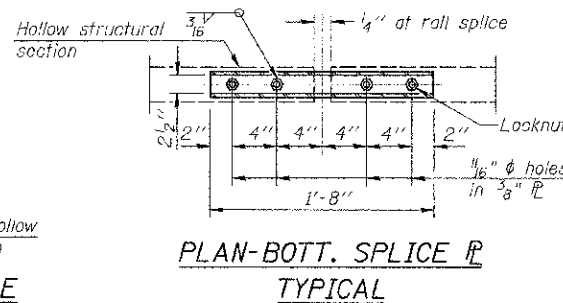
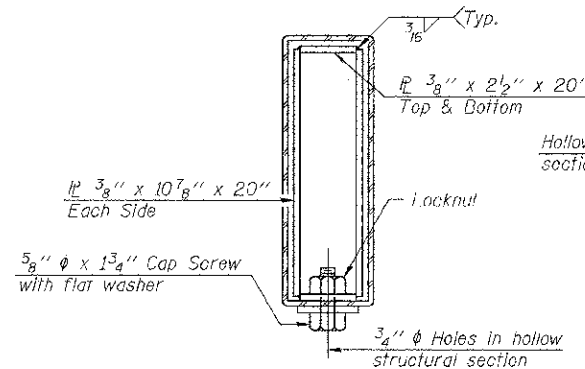
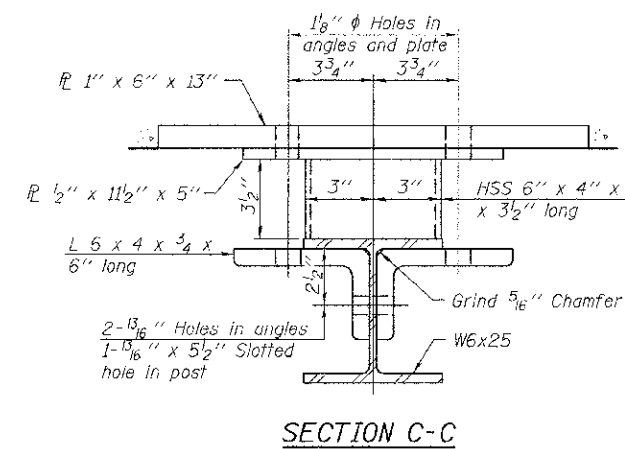
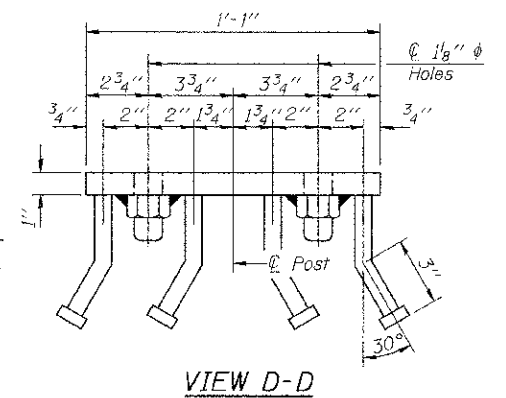
1/8" x 7" x 6" Fabric reinforced elastomeric pad

HSS 6" x 3" x 1/4" x 3 3/8" long

SECTION AT RAILING POST



* Threaded areas shall be plugged or blocked off during casting of beam.



** Whenever the lower insert assemblies interfere with strand locations, the #3 bars shall be cut and adjusted in order to allow raising or lowering of the lower inserts. Maximum adjustment not to exceed 1/2".

BILL OF MATERIAL

Item	Unit	Quantity
Steel Railing, Type S-1	FOOT	217

STEEL RAILING, TYPE S-1
BROWN COUNTY
SECTION 10-04118-00-BR
T.R. 141 OVER WELLS FORK

SHEET NO. 6 12 SHEETS	ROUTE NO.	SECTION	COUNTY	TOTAL SHEETS	SHEET NO.
	TR 141	10-04118-00-BR	BROWN	24	12
S.N. 005-3407			CONTRACT NO. 93588		
FED. ROAD DIST. NO. 7 ILLINOIS			FED. AID PROJECT BROS-00092211		