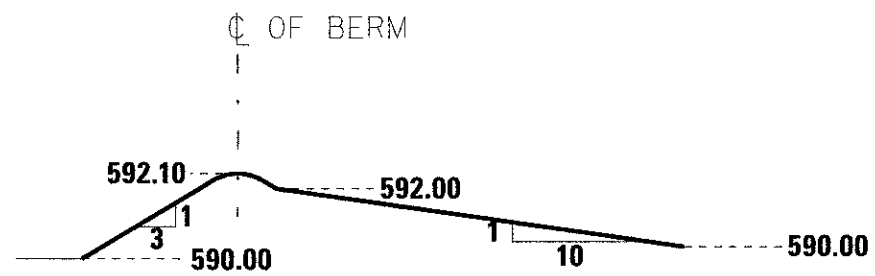
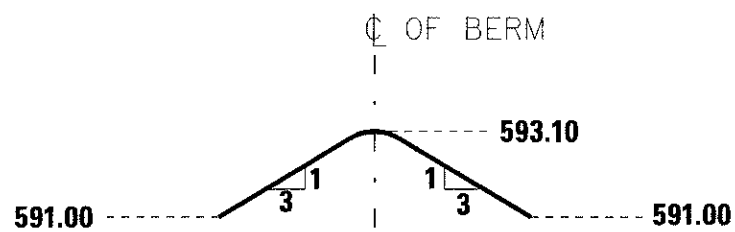


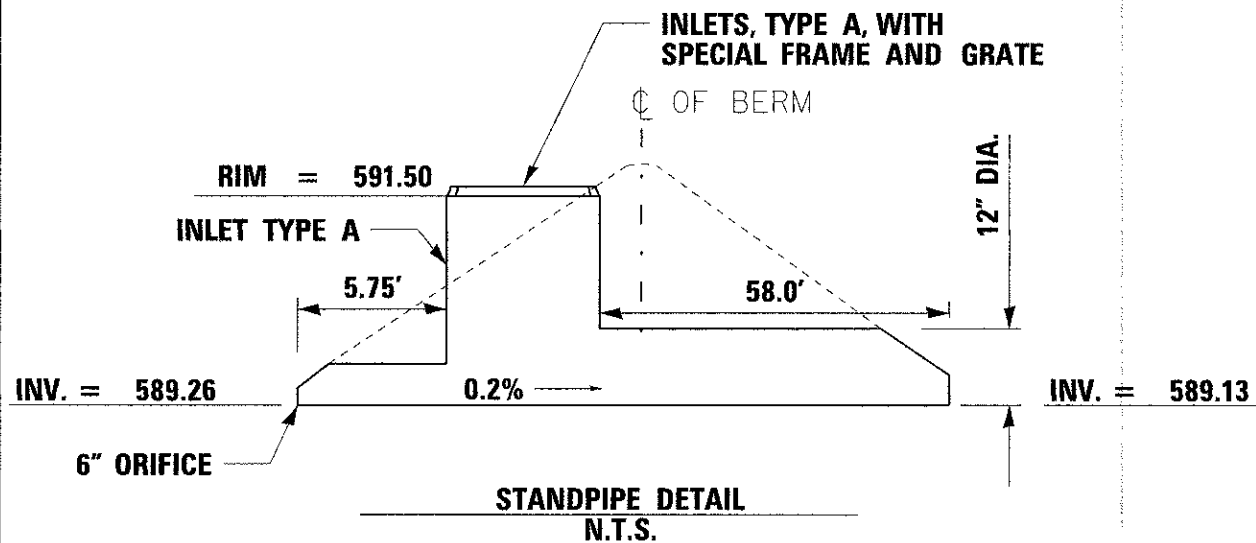
① WEST BERM SECTION DETAIL
N.T.S.



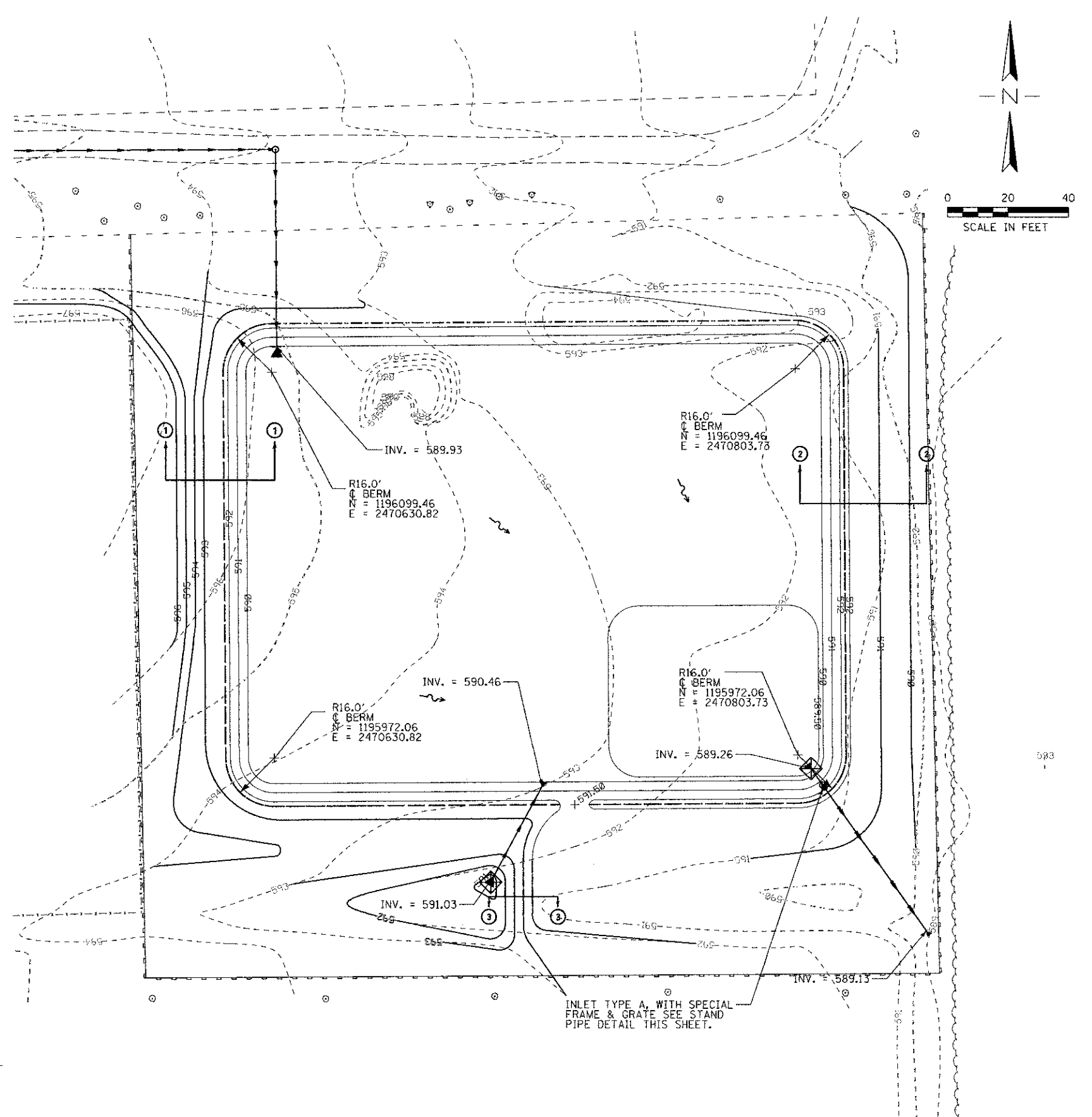
② EAST BERM SECTION DETAIL
N.T.S.



③ DITCH BERM SECTION DETAIL
N.T.S.



STANDPIPE DETAIL
N.T.S.



**ALL WORK THIS SHEET BY OTHERS.
FOR INFORMATION ONLY.**

FILE NAME = 11-01-04_sht-PondGrading-F10.dgn
MODEL = Default
PLOT DRIVER = W81.PDF_22x34.ctb



USER NAME = msutheard	DESIGNED - KLK	REVISED - 05/21/12-MDS-IDOT REVIEW
FILE NAME = 11-01-04_sht-PondGrading-F10.dgn	DRAWN - MDS	REVISED -
PLOT SCALE = 20,0000' / 1"	CHECKED - KLK	REVISED -
PLOT DATE = 9/26/2012	DATE - 05/21/12	REVISED -

**VILLAGE OF WILLIAMSVILLE
SAFE ROUTES TO SCHOOL**

**GRADING PLAN
DETENTION POND**

SCALE: 1"=20' SHEET NO. 1 OF 1 SHEETS STA. TO STA.

F.A. RTE.	SECTION	COUNTY	TOTAL SHEETS	SHEET NO.
	09-00006-00-SW	SANGAMON	20	11
			CONTRACT NO. 93589	
[ILLINOIS] FED. AID PROJECT				