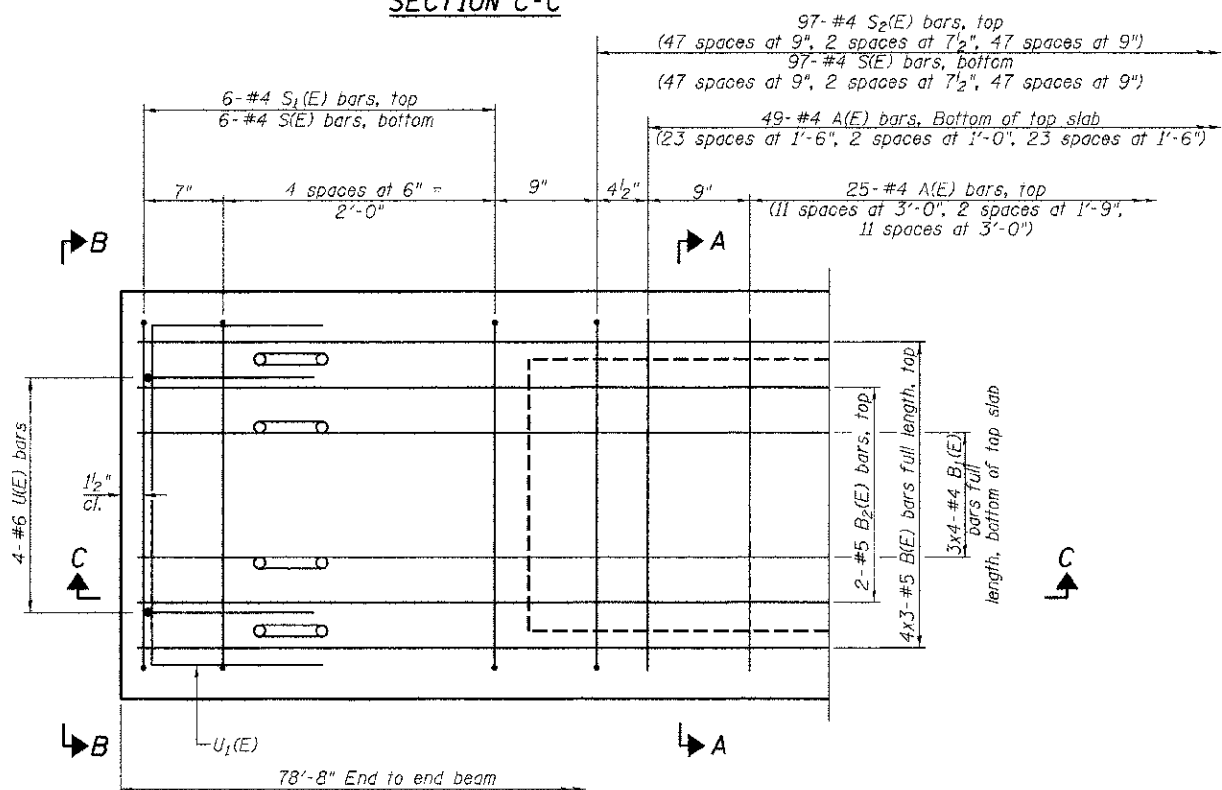


**SECTION C-C**



**PLAN VIEW**

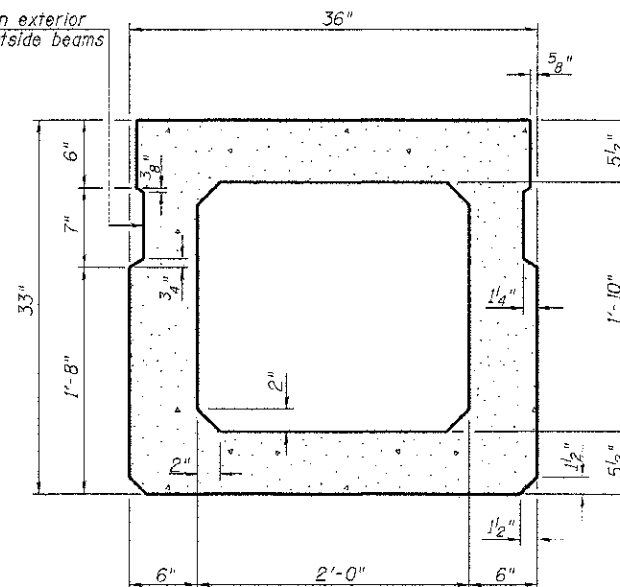
Notes: Spacing of S(E) and S<sub>2</sub>(E) bars may be adjusted up to 4" in the immediate area of the transverse tie diaphragms to miss the block outs for the transverse ties.

Bars indicated thus: 4x3-#5 etc. indicates 4 lines of bars with 3 lengths per line.

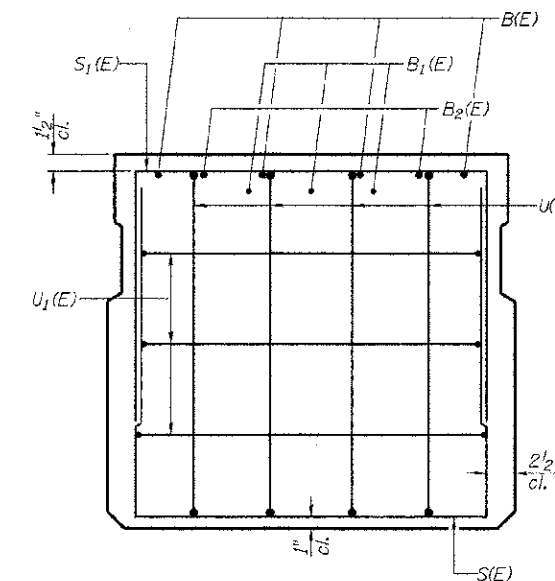
**MINIMUM BAR LAP**

#4 bar = 2'-0"  
#5 bar = 2'-6"

Omit key on exterior face of outside beams

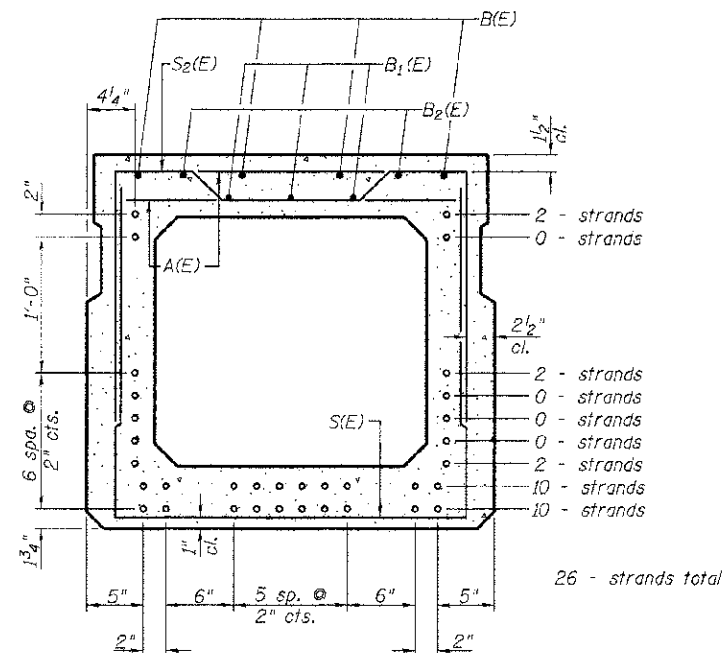


**SECTION A-A**  
(Showing dimensions)



**VIEW B-B**

Symmetrical about  $\bar{C}$



**SECTION A-A**

(Showing reinforcement and permissible strand locations)

Note: Place the number of strands specified in each row symmetrically about the centerline of beam in the permissible strand locations shown.

**BAR LIST**  
**ONE BEAM ONLY**  
(For information only)

Bar	No.	Size	Length	Shape
A(E)	74	#4	2'-7"	—
B(E)	12	#5	27'-10"	—
B <sub>1</sub> (E)	12	#4	21'-1"	—
B <sub>2</sub> (E)	4	#5	10'-0"	—
S(E)	109	#4	7'-5"	┌
S <sub>1</sub> (E)	12	#4	6'-3"	┌
S <sub>2</sub> (E)	97	#4	6'-6"	┌
U(E)	8	#6	5'-0"	┌
U <sub>1</sub> (E)	6	#4	5'-0"	┌

Note: See sheet 6 of 11 for additional details and Bill of Material.