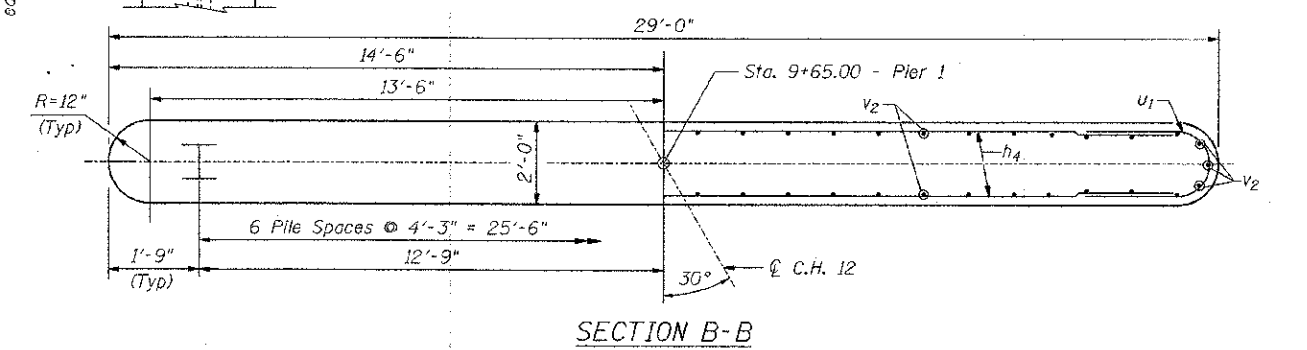
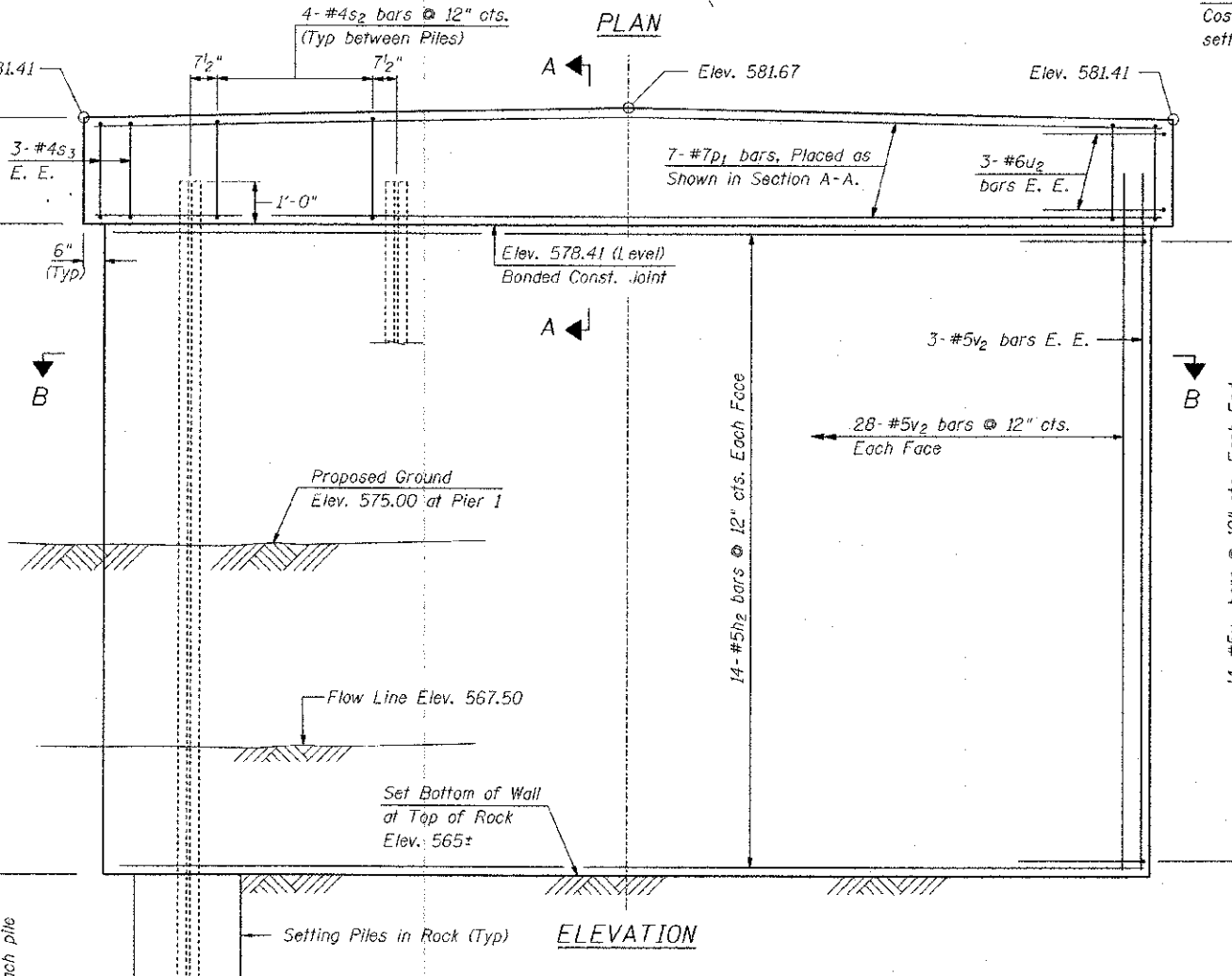
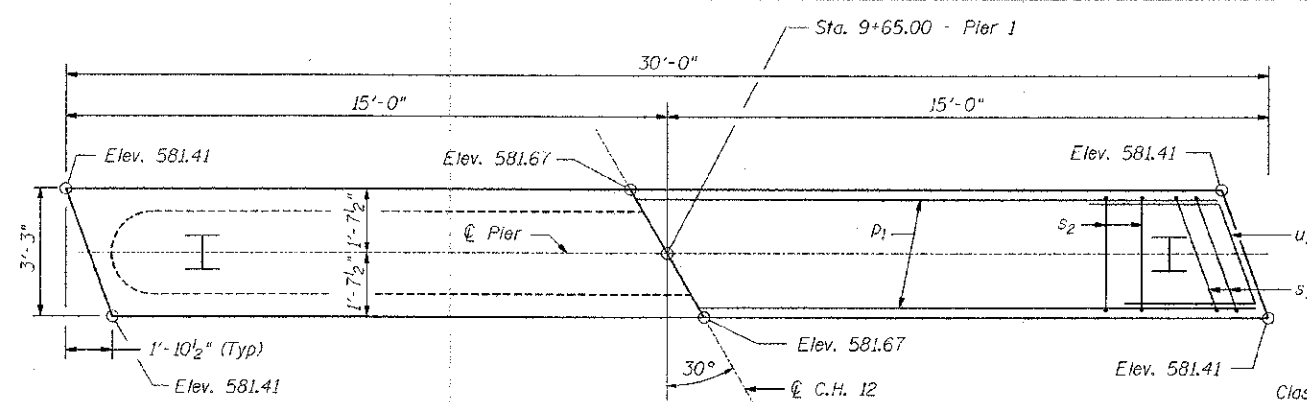
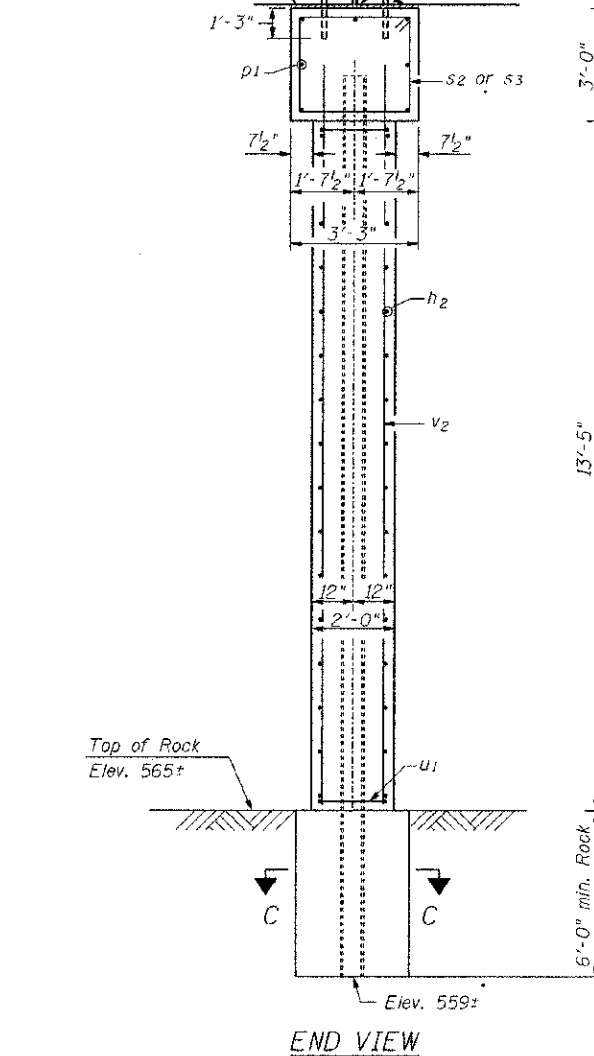


** 1" Joint shall be packed with a very dry mix of 2:1 sand and P.C. mortar. 1" Dimension may vary plus or minus to accommodate tolerance in beam lengths.

*** Dowel Rods to be grouted after beams are in place and allowed to cure (Min. 24 hours) prior to grouting Shear Keys.

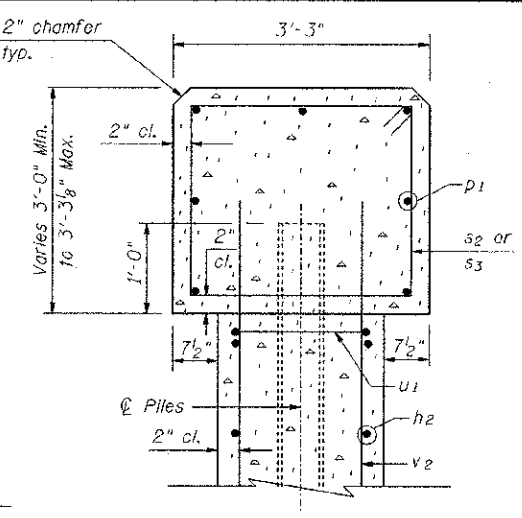
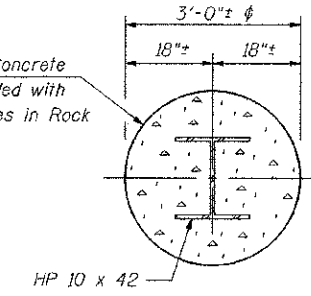
**** 1" ϕ x 2'-6" Dowel Rods in 1 1/2" ϕ holes drilled in Cap (2 Each Beam) Cast Incidental to Concrete Structures.



NOTE:
All Edges shall have Standard 3/4" Chamfer except as Noted.



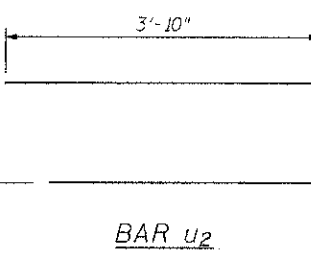
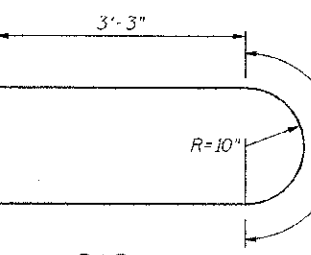
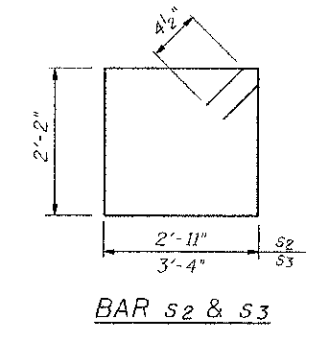
Class SI Concrete
Cost included with setting Piles in Rock



BILL OF MATERIAL - PIER 1

Bar	No.	Size	Length	Shape
h2	28	#5	26'-9"	—
p1	7	#7	29'-6"	—
s2	24	#4	10'-11"	□
s3	6	#4	11'-9"	□
u1	28	#5	9'-2"	—
u2	6	#6	10'-11"	—
v2	52	#5	15'-6"	—
ITEM		UNIT	QUANTITY	
Reinforcement Bars		Pound	2,800	
Concrete Structures		Cu. Yd.	39.7	
Furnishing Steel Piles				
HP 10 x 42		Foot	175	
Setting Piles in Rock		Each	7	
Cofferdam Excavation		Cu. Yd.	137	
Cofferdam (Type 2) (Location 1)		Each	1	

SECTION C-C



PILE DATA

Type: HP 10 x 42
Nominal Required Bearing: 335 kips
Factored Resistance Available: 167 kips
Est. Length: 25'
No. Production Piles: 7

See sheet 11 of 11 for HP Pile Details.

ie CONSULTANTS, INC
6420 SOUTH SIXTH STREET RD
SPRINGFIELD, ILLINOIS 62712
TEL. (217) 629-8027
FAX (217) 629-4543
IESPRINGFIELD@IE-CONSULTANTS.COM
WWW.IE-CONSULTANTS.COM

FILE NAME =	USER NAME =	DESIGNED - SCD	REVISED -
		CHECKED - DRB	REVISED -
		DRAWN - JEB	REVISED -
		CHECKED - SCD	REVISED -

STATE OF ILLINOIS
DEPARTMENT OF TRANSPORTATION

PIER 1 DETAILS
STRUCTURE NO. 087-3574
SHEET NO. 9 OF 11 SHEETS

C.H. RTE.	SECTION	COUNTY	TOTAL SHEETS	SHEET NO.
12	09-00267-00-BR	SHELBY	24	22
			CONTRACT NO. 95700	
ILLINOIS FED. AID PROJECT				