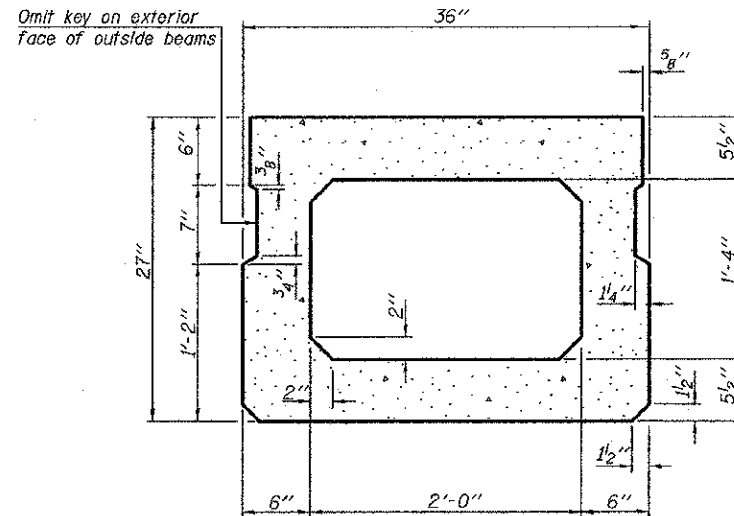
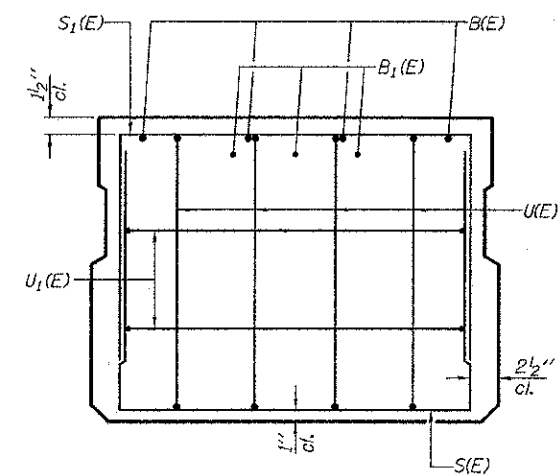


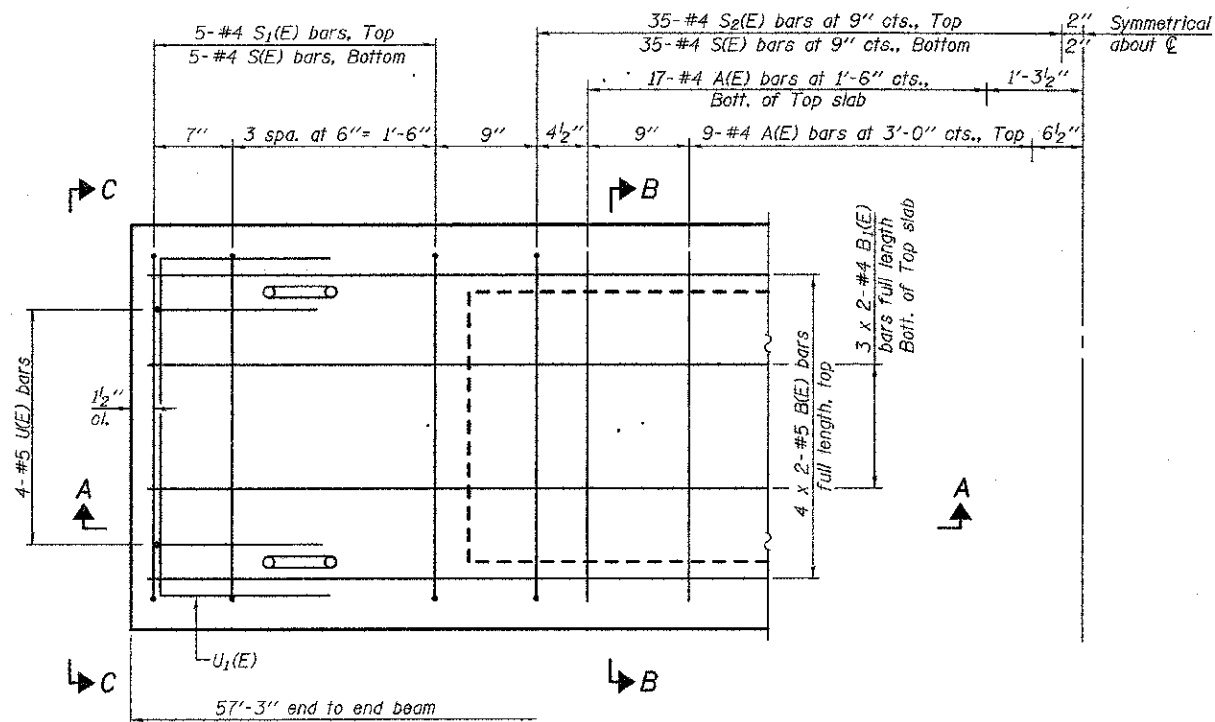
SECTION A-A



SECTION B-B
(Showing dimensions)

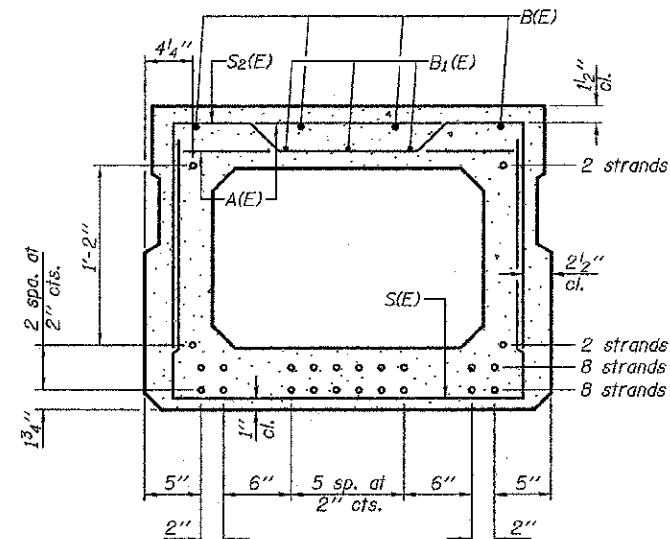


VIEW C-C



PLAN VIEW

Note: Spacing of S(E) and S2(E) bars may be adjusted up to 4" in the immediate area of the transverse tie diaphragms to miss the block outs for the transverse ties.



SECTION B-B

(Showing reinforcement and permissible strand locations)

Note: Place the number of strands specified in each row symmetrically about the centerline of beam in the permissible strand locations shown.

BAR LIST
ONE BEAM ONLY
(For information only)

Bar	No.	Size	Length	Shape
A(E)	52	#4	2'-7"	—
B(E)	8	#5	29'-9"	—
B1(E)	6	#4	29'-6"	—
S(E)	80	#4	6'-5"	⌊
S1(E)	10	#4	5'-11"	⌊
S2(E)	70	#4	6'-2"	⌊
U(E)	8	#5	4'-6"	⌊
U1(E)	4	#4	5'-0"	⌊

Note: See sheet 6 of 12 for additional details and Bill of Material.

MINIMUM BAR LAP

#4 bar = 2'-0"
#5 bar = 2'-6"

DESIGNED - Fess Teklehaimanot
CHECKED - Stephen M. Ryan
DRAWN - h.t. duong
CHECKED - FT/SMR

EXAMINED - Thomas J. Donagalli
PASSED - [Signature]
ENGINEER OF BRIDGE DESIGN
ENGINEER OF BRIDGES AND STRUCTURES

DATE - 4/19/2012
REVISED
REVISED

STATE OF ILLINOIS
DEPARTMENT OF TRANSPORTATION

27" x 36" PPC DECK BEAM
STRUCTURE NO. 087-3555

SHEET NO. 5 OF 12 SHEETS

F.A.S. RTE.	SECTION	COUNTY	TOTAL SHEETS	SHEET NO.
656	06-00265-00-BR	SHELBY	29	22
ILLINOIS FED. AID PROJECT			CONTRACT NO. 45701	