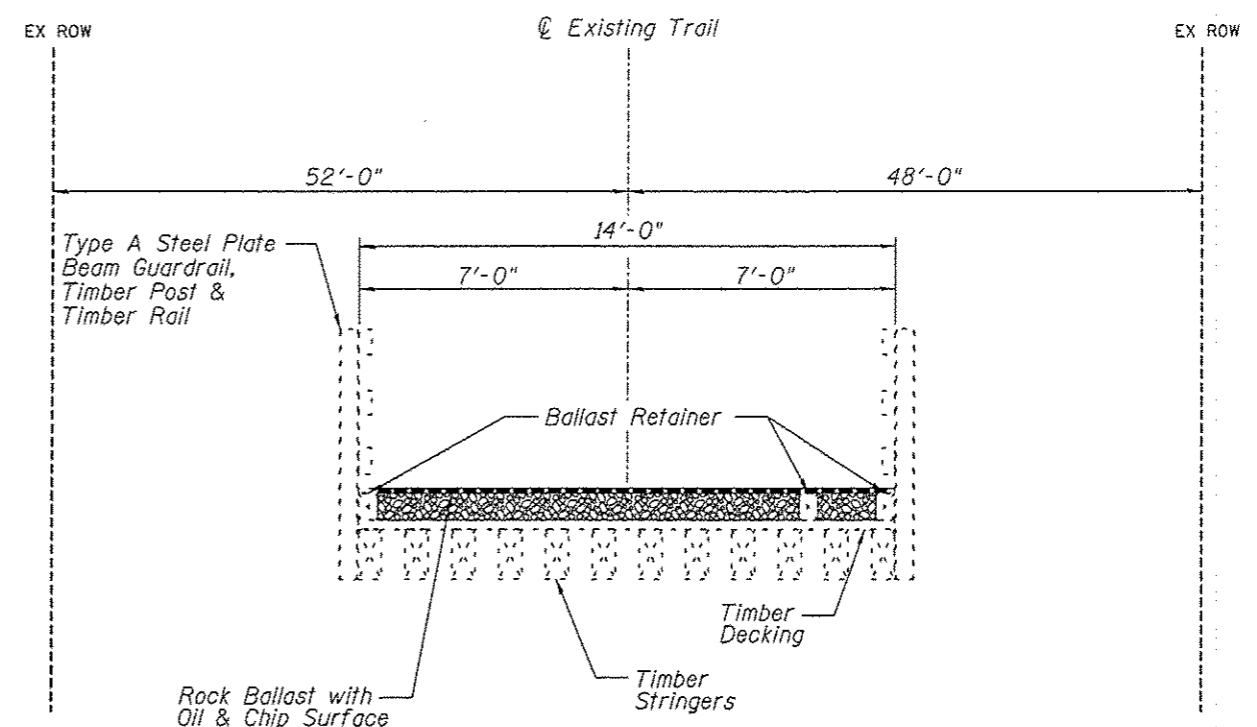


EXISTING TYPICAL SECTION - STRUCTURE NO. 9

(Looking East)

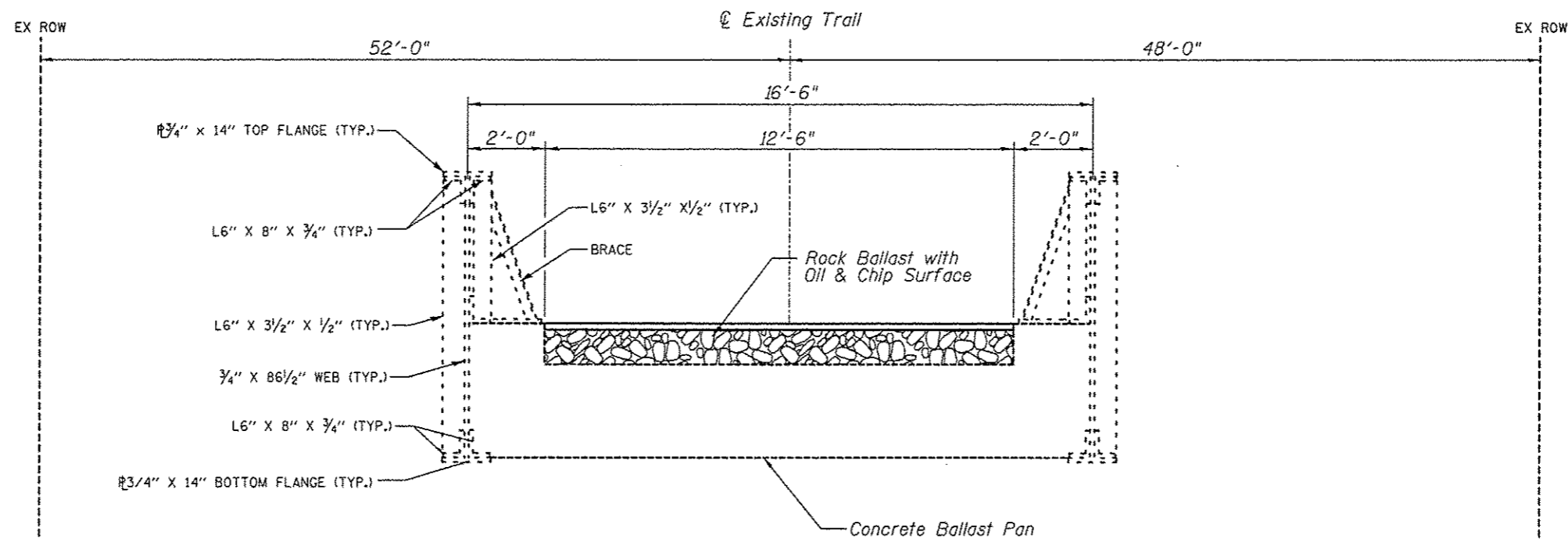
STA. 233+05.93 TO STA. 233+84.30



EXISTING TYPICAL SECTION - STRUCTURE NO. 11

(Looking East)

STA. 387+42.56 TO STA. 388+35.42



EXISTING TYPICAL SECTION - STRUCTURE NO. 12

(Looking East)

STA. 388+94.99 TO STA. 390+23.09

FILE NAME * Typ.ex.dgn	USER NAME * joremy	DESIGNED - SAS	REVISED -	MADISON COUNTY TRANSIT DISTRICT HERITAGE BIKEWAY	EXISTING BRIDGE TYPICAL SECTIONS		F.A. RTE.	SECTION	COUNTY	TOTAL SHEETS	SHEET NO.
	PLOT SCALE * #SCALE#	DRAWN - JDH	REVISED -				06-00016-00-BT	MADISON	310	7	
	PLOT DATE * 12/17/2012	CHECKED - WJB	REVISED -				CONTRACT NO. 97433				
	DATE - 11/30/12	REVISED -	SCALE: N.T.S.				SHEET NO. 4 OF 5 SHEETS		FED. ROAD DIST. NO. [ILLINOIS] FED. AID PROJECT		