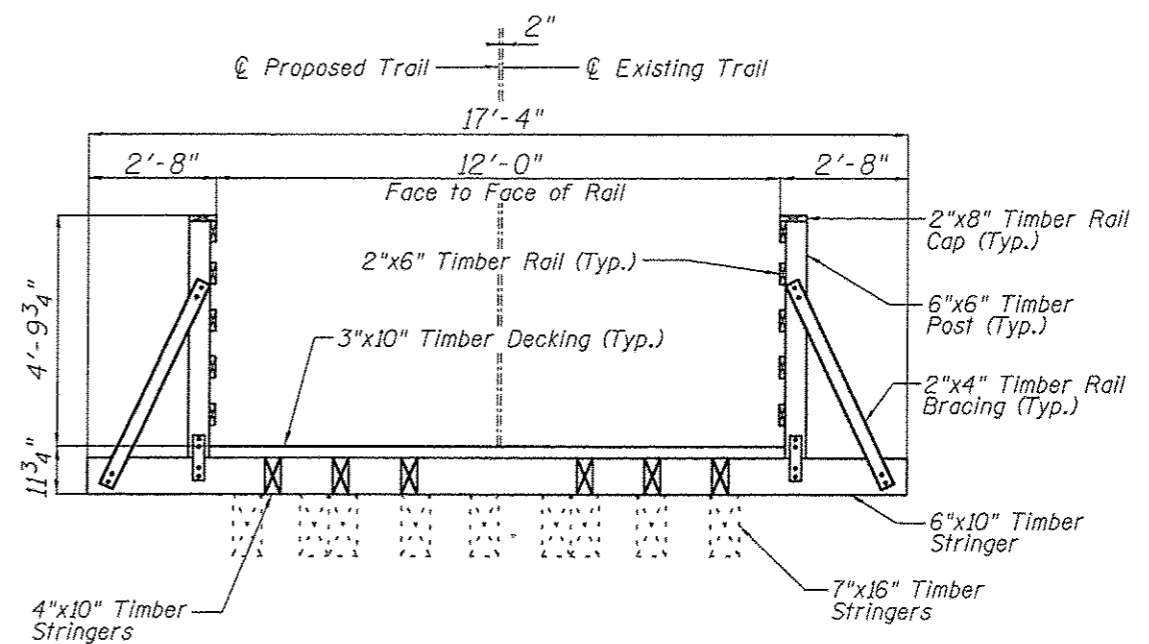


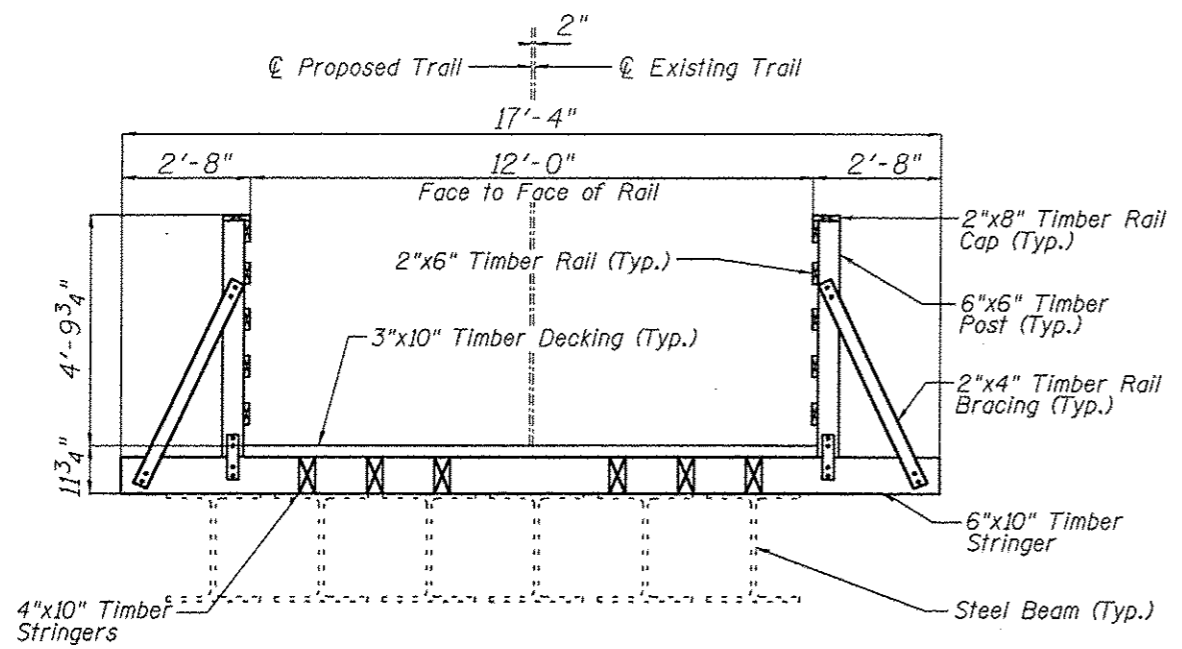
**PROPOSED TYPICAL SECTION STRUCTURE NO. 6**  
(Looking North)

STA. 198+23.01 TO STA. 198+98.62



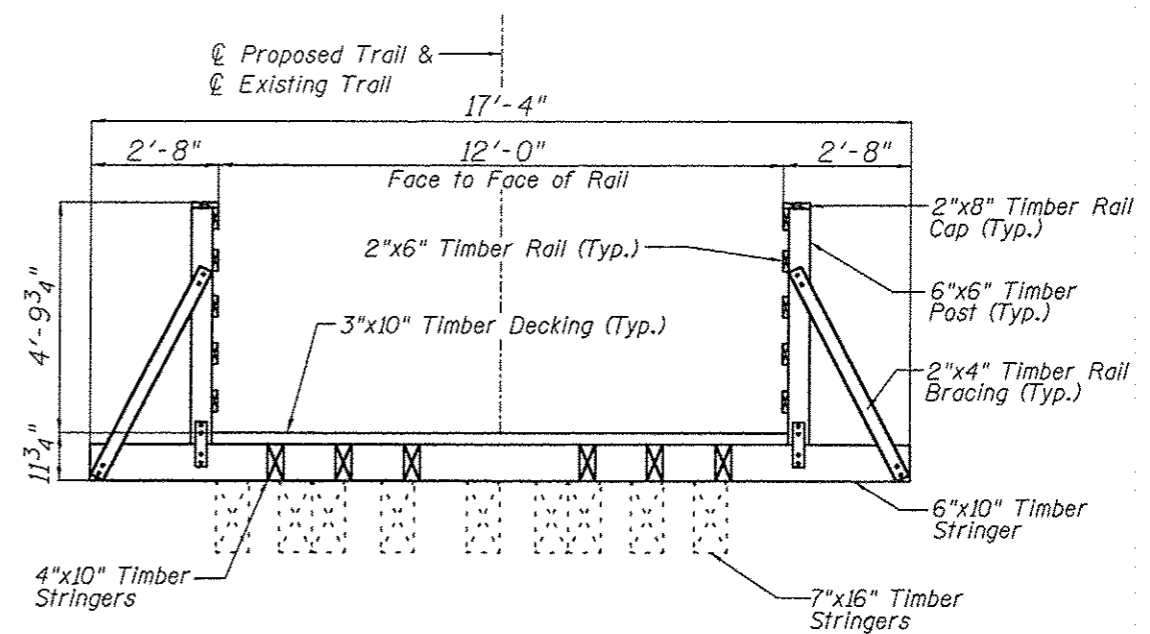
**PROPOSED TYPICAL SECTION STRUCTURE NO. 8**  
**SPANS 1, 2, 4, 5 & 6**  
(Looking East)

STA. 227+27.06 TO STA. 227+58.14  
STA. 227+92.39 TO STA. 228+37.56



**PROPOSED TYPICAL SECTION STRUCTURE NO. 8**  
**SPAN 3**  
(Looking East)

STA. 227+58.14 TO STA. 227+92.39



**PROPOSED TYPICAL SECTION STRUCTURE NO. 9**  
(Looking East)

STA. 233+00.93 TO STA. 233+89.60

FILE NAME * Typ.prop.dgn	USER NAME * jeramy	DESIGNED - SAS	REVISED -	<b>MADISON COUNTY TRANSIT DISTRICT HERITAGE BIKEWAY</b>	<b>PROPOSED TYPICAL SECTIONS</b>		F.A. RTE.	SECTION	COUNTY	TOTAL SHEETS	SHEET NO.
		DRAWN - JOH	REVISED -		SCALE: N.T.S.	SHEET NO. 12 OF 14 SHEETS	06-00016-00-BT	MADISON	310	20	
		CHECKED - WJB	REVISED -				CONTRACT NO. 97433				
		PLOT DATE * 12/17/2012	DATE - 11/30/12				FED. ROAD DIST. NO.		ILLINOIS FED. AID PROJECT		