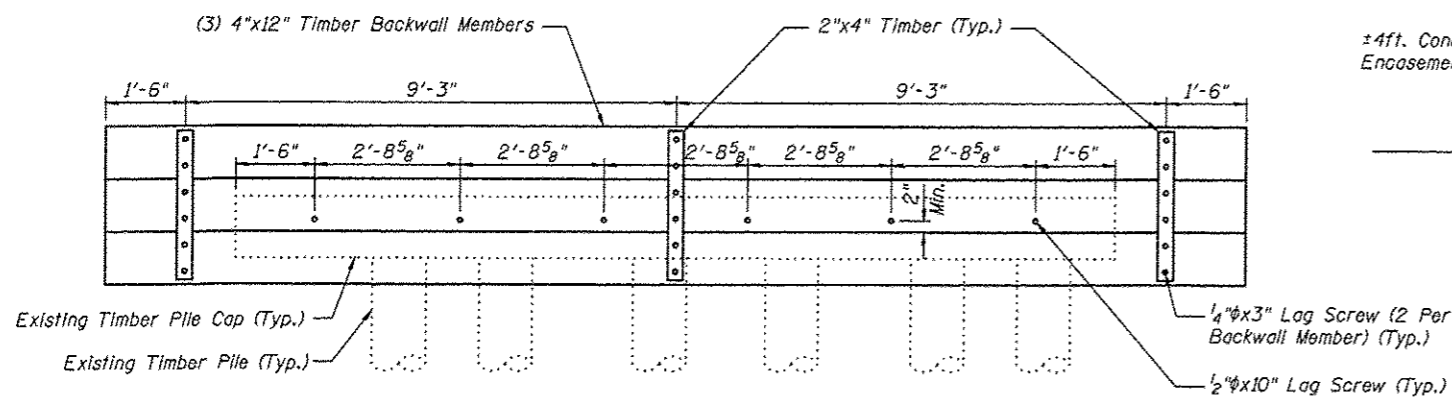


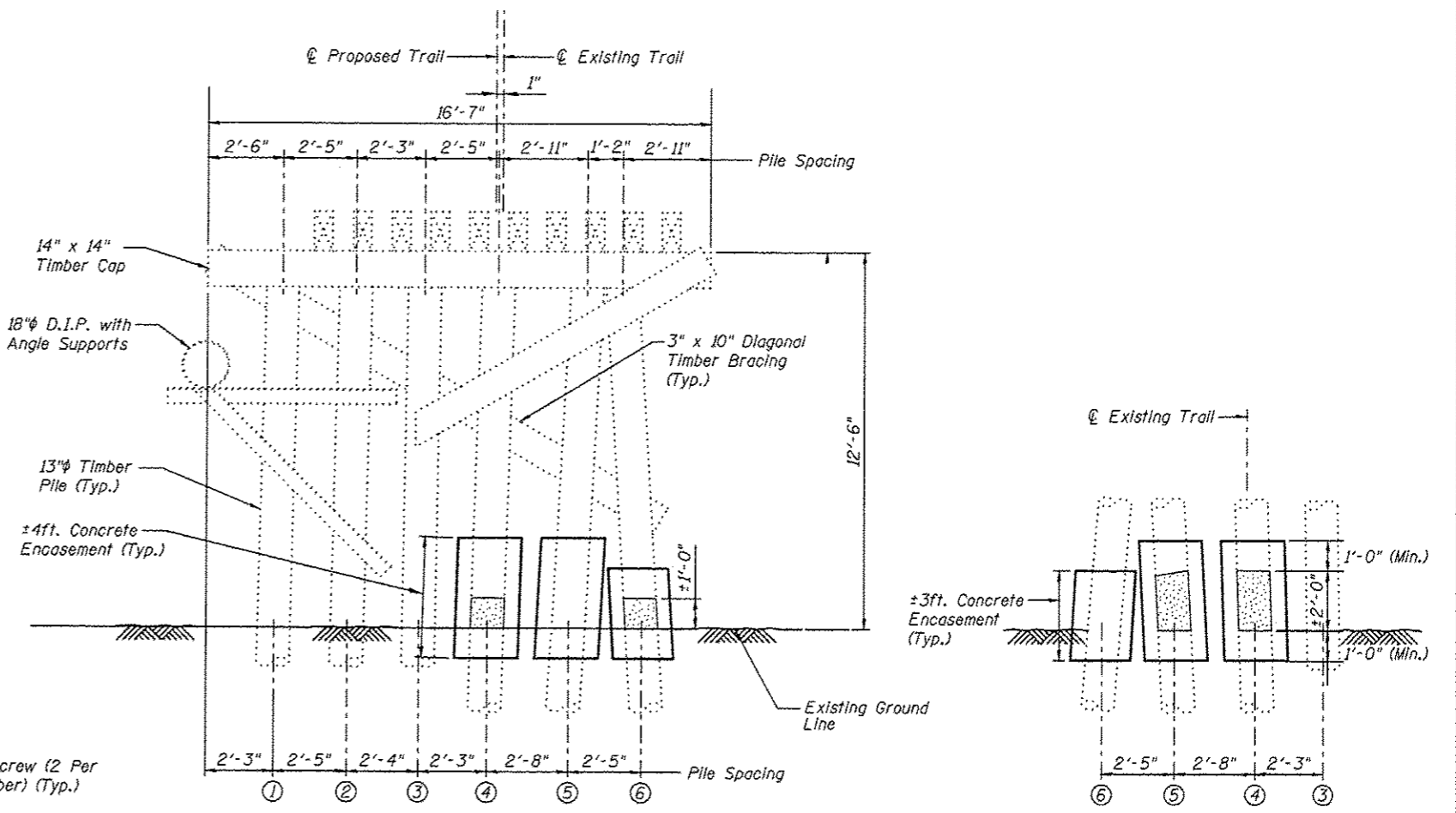
**WEST ABUTMENT**  
(Looking West)



**WEST ABUTMENT**  
(Looking East)

**WEST ABUTMENT BILL OF MATERIAL**

Item	Unit	Quantity
Treated Timber	F.B.M.	264



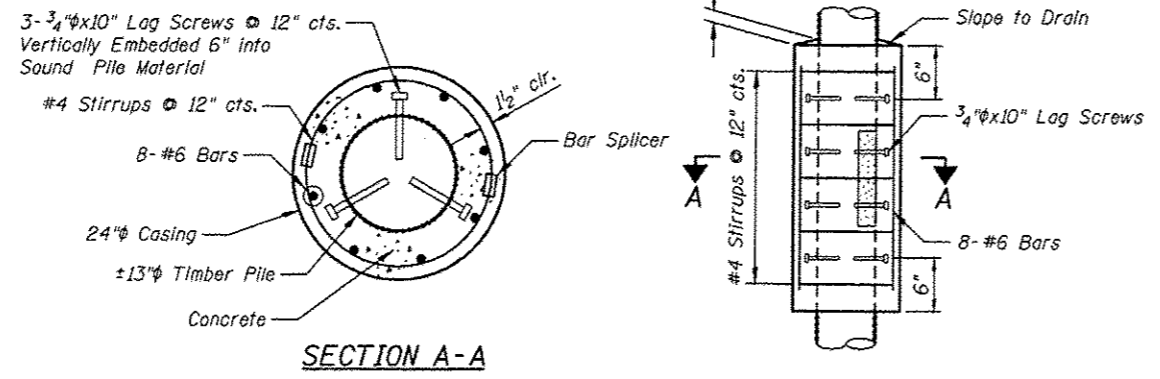
**PIER 1**  
(Looking East)

**PARTIAL PIER 1 ELEVATION**  
(Looking West)

**PIER 1 BILL OF MATERIAL**

Item	Unit	Quantity
Concrete Encasement	Cu Yd	1.3

For estimated quantities, see Special Provisions.



Payment for furnishing all material, labor and excavation necessary to construct the Concrete Encasement, including the casing, lag screws, concrete, reinforcement bars, bar splicers, removal of deteriorated timber and all other appurtenances and incidental work as shown on this sheet, complete in place, will be considered completely covered by the contract unit price per cubic yard for Concrete Encasement.

**CONCRETE ENCASEMENT DETAILS**

Legend

Area of Deterioration

Notes:

All dimensions are approximate.

Concrete Encasement shall extend above and below the damaged area of the pile a minimum of 1'-0".

All new timber members shown shall be included in the pay item Treated Timber.

<b>WEST ABUTMENT &amp; PIER 1 DETAILS</b> 		<b>GLEN CARBON HERITAGE BIKE TRAIL OVER JUDY BRANCH</b> MADISON COUNTY STATION 108+17.70 STRUCTURE NO. 1	
REVISIONS NO. DATE BY REMARKS		SCALE: NOT TO SCALE, FOLLOW DIMENSIONS	
DGN. BY: DB DATE: 10/18/12		SHEET 153	
DWN. BY: EER DATE: 10/18/12		CHR'D: WWH DATE: 10/18/12	
DGN NAME:		JOB NO. E064403 DGN. NO.	

Printed 10:08:00 AM 12/19/2012 W:\STRUCTURE\064403 MCT Heritage Trail\Drawings\Structure \*01\Proposed Structure 07-2012\064403 W Abut & Pier Ldg