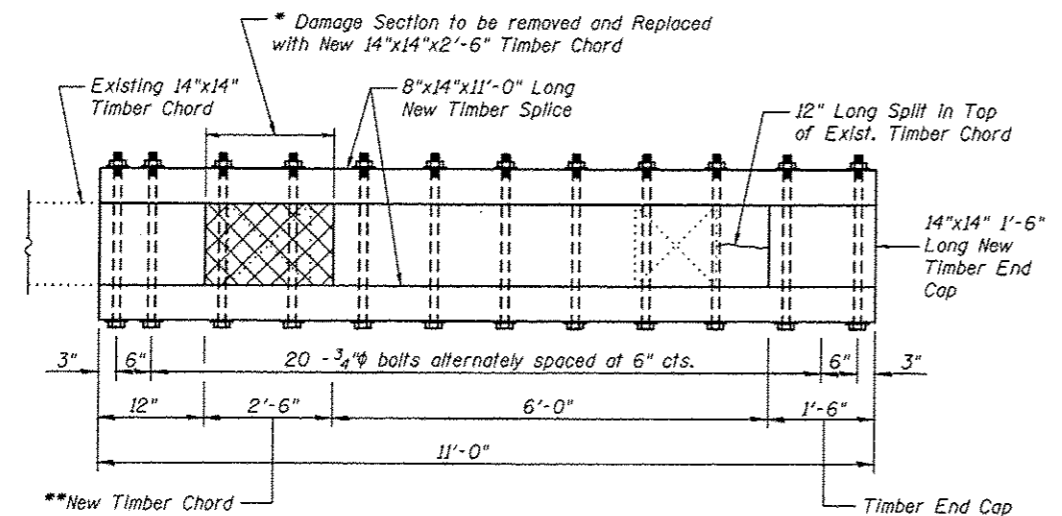
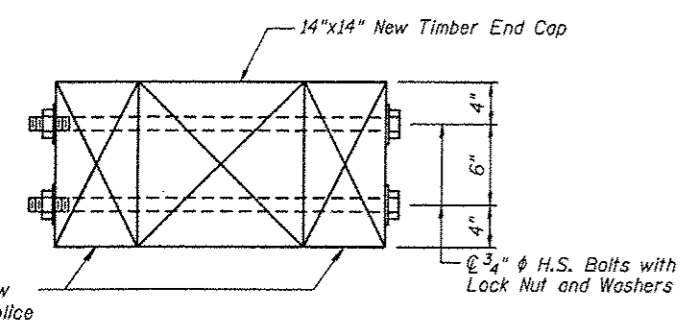


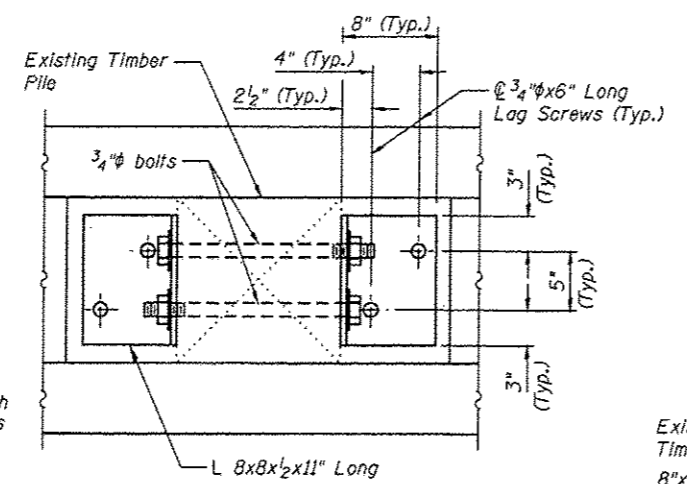
**ELEVATION OF TIMBER BEAM REPAIR**



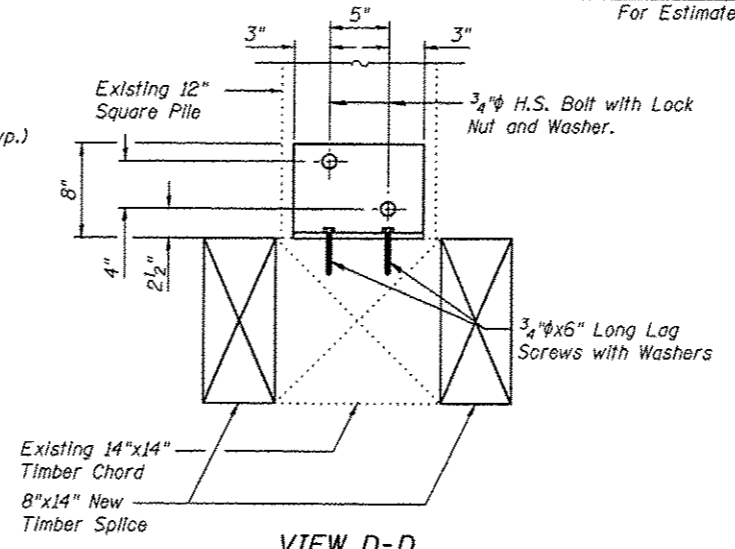
**VIEW A-A**



**VIEW B-B**

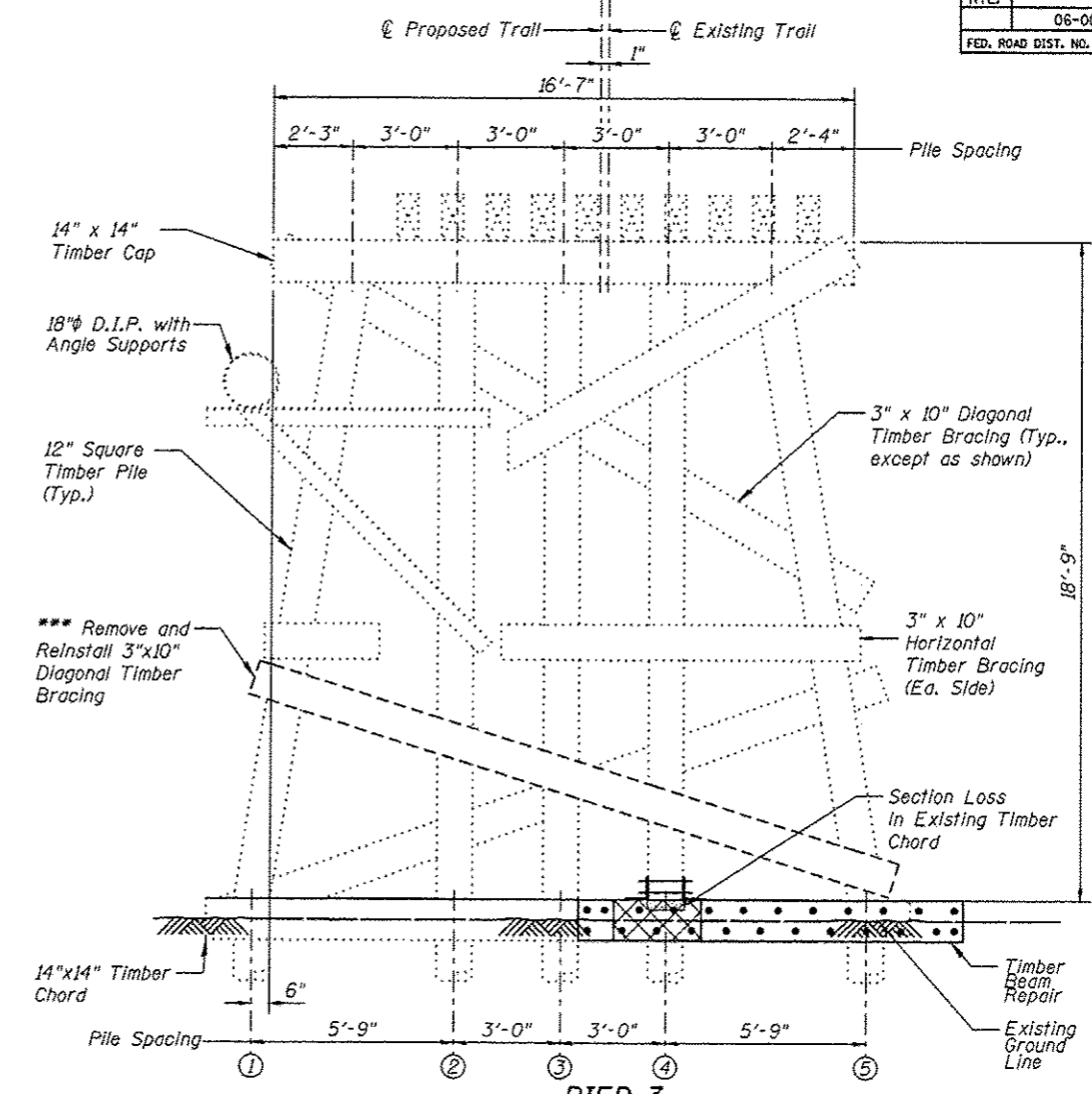


**VIEW C-C**



**VIEW D-D**

**TIMBER BEAM REPAIR DETAILS**



**PIER 3 (Looking East)**  
**PIER 3 BILL OF MATERIAL**

Item	Unit	Quantity
Timber Beam Repair	Lump Sum	1

**Legend**  
 Area of Deterioration  
 Split

For Estimated Quantities, see Special Provisions.

**Note:**  
 All dimensions are approximate. Bolts, nuts and washers for the Timber Beam Repair shall be hot-dipped galvanized.  
 \* Cross Hatched area indicates removal of damaged 2'-6" length of Existing Timber Chord. Replace the removed section with new 14"x14"x2'-6" Timber Chord.  
 \*\* Replacement of removed section with new 14"x14"x2'-6" Timber Chord.  
 \*\*\* The 3"x10" Existing Diagonal Timber Bracing shall be removed and reinstalled to clear Timber Beam Repair. Existing bolts, nuts, and washers to be removed, cleaned and reinstalled. Cost of removing and relocating the existing timber bracing shall be included with Timber Beam Repair.

**PIER 3 DETAILS**

**Juneau Associates, Inc. P.C.**  
 CONSULTING ENGINEERS AND LAND SURVEYORS  
 2100 State Street, S.E. Box 1301  
 Omaha, NE 68106-1301  
 Phone: 402/333-1100 Fax: 402/333-1100

**GLEN CARBON HERITAGE BIKE TRAIL OVER JUDY BRANCH MADISON COUNTY STATION 108+17.70 STRUCTURE NO. 1**

REVISIONS			SCALE: NOT TO SCALE, FOLLOW DIMENSIONS		
NO.	DATE	BY	REMARKS	DSN. BY:	DATE:
				DB	10/18/12
				EER	10/18/12
				WHH	10/18/12

DGN NAME: JOB NO. E064403 DGN. NO. SHEET 155 OF 810 SHEETS

12/19/2012 10:08:58 AM W:\STRUCTURE\064403 IMCT HerTrails\Drawings\Structure\064403\PIER 3.dgn