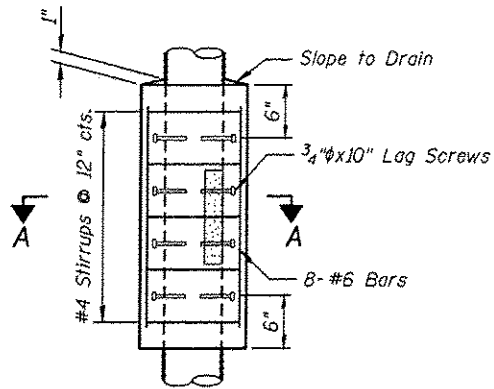
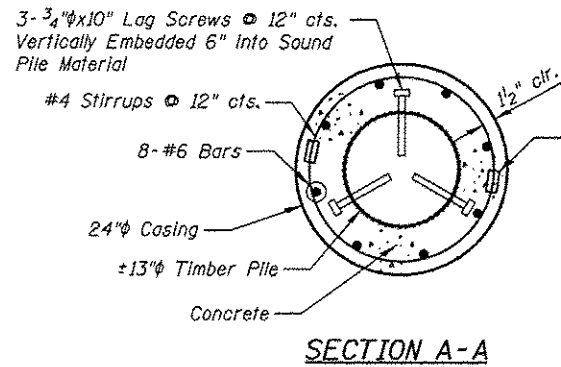


F.A.U. RTE.	SECTION	COUNTY	TOTAL SHEETS	SHEET NO.
	06-00016-00-BT	MADISON	310	157
FED. ROAD DIST. NO.	ILLINOIS	CONTRACT NO. 97433		

**PIER 6
BILL OF MATERIAL**

Item	Unit	Quantity
Concrete Encasement	Cu Yd	0.5
Treated Timber	F.B.M.	310

For Concrete Encasement Estimated Quantities, see Special Provisions.



Payment for furnishing all material, labor and excavation necessary to construct the Concrete Encasement, including the casing, lag screws, concrete, reinforcement bars, bar splicers, removal of deteriorated timber and all other appurtenances and incidental work as shown on this sheet, complete in place, will be considered completely covered by the contract unit price per cubic yard for Concrete Encasement.

CONCRETE ENCASEMENT DETAILS

14" x 14" Timber Cap
(To Be Removed & Replaced)

14" x 14" Timber Cap
18" D.I.P. with
Angle Supports

13" Timber Pile (Typ.)

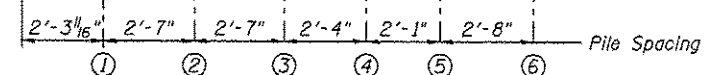
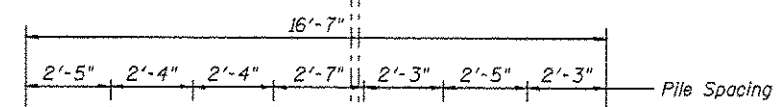
3" x 10" Diagonal
Timber Bracing (Typ.,
except as shown)

3" x 10" Horizontal
Timber Bracing
(Ea. Side)

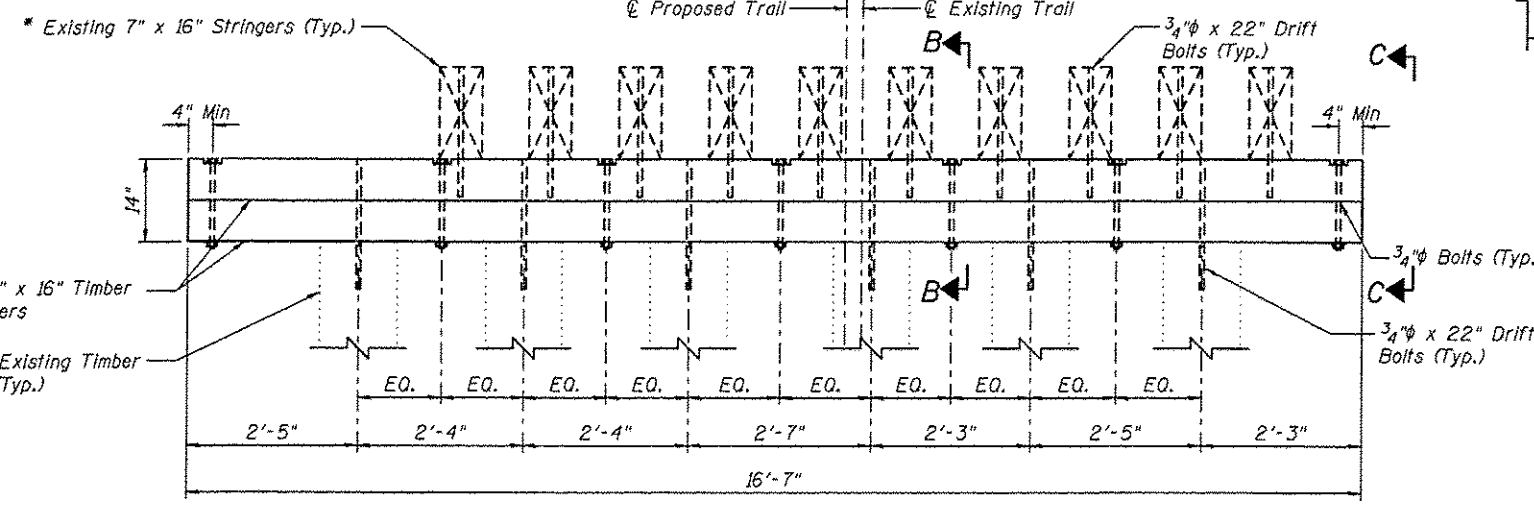
Encasement (Typ.)

Existing Ground Line

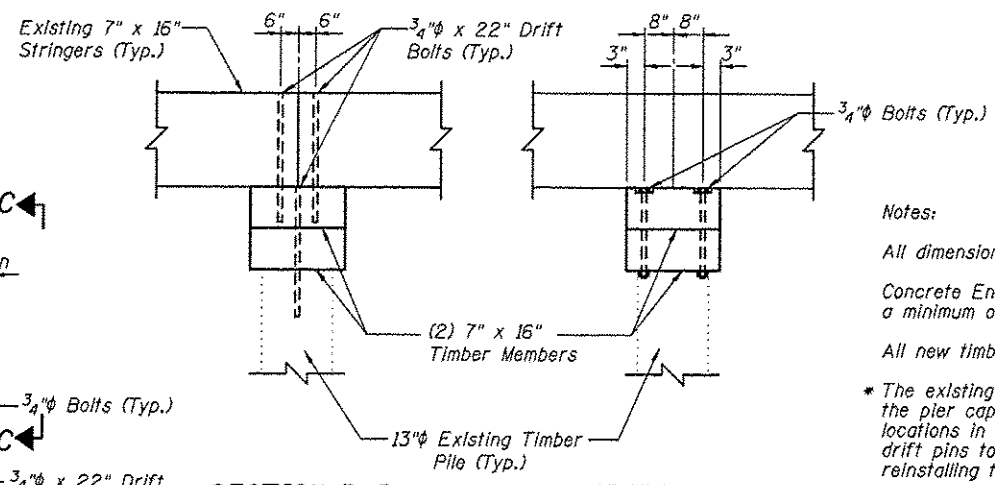
Proposed Trail Existing Trail



**PIER 6
(Looking East)**



PIER CAP REPLACEMENT



Notes:

All dimensions are approximate.

Concrete Encasement shall extend above and below the damaged area of the pile a minimum of 1'-0".

All new timber members shown shall be included in the pay item Treated Timber.

* The existing 7"x16" stringers shall be removed and reinstalled to accommodate the pier cap replacement. Field drill holes in new timber cap to match hole locations in existing timber piles and stringers. Existing bolts, nuts, washers and drift pins to be removed, stored, cleaned and reinstalled. Cost of removing and reinstalling the existing timber stringers shall be included with Treated Timber.

PIER 6 DETAILS			
		GLEN CARBON HERITAGE BIKE TRAIL OVER JUDY BRANCH MADISON COUNTY STATION 108+17.70 STRUCTURE NO. 1	
REVISIONS			
NO.	DATE	BY	REMARKS
SCALE: NOT TO SCALE, FOLLOW DIMENSIONS		DSN. BY: DB	DATE: 10/18/12
DWN. BY: EER		DATE: 10/18/12	SHEET
CHKD: WWH		DATE: 10/18/12	157
DGN NAME:		JOB NO. E064403	DGN. NO.
Sheet 10 of 11		OF 310 SHEETS	