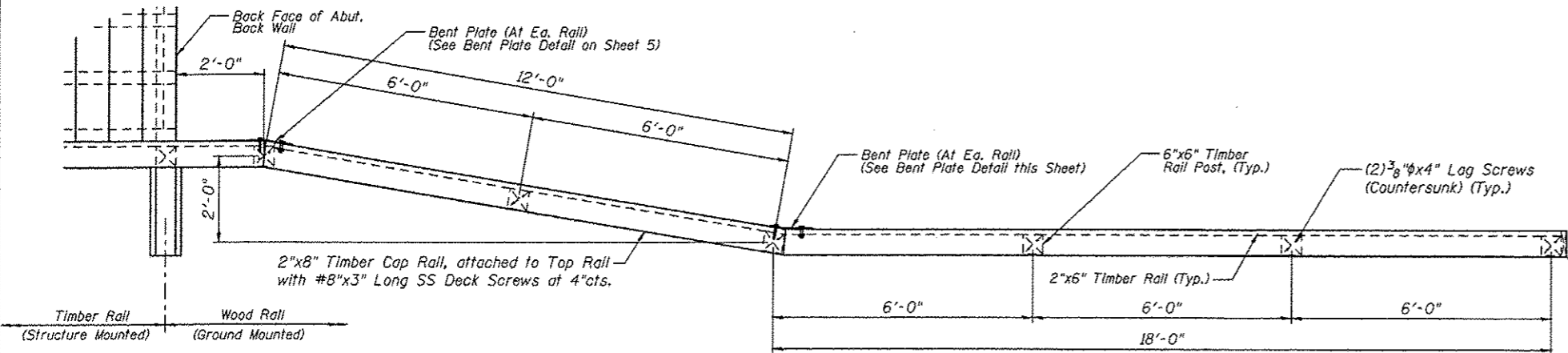


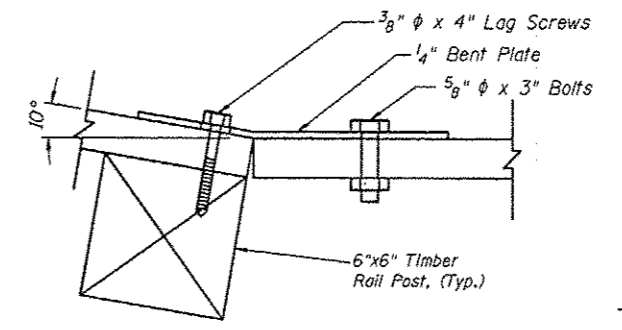
**WOOD RAIL
BILL OF MATERIAL**

Item	Unit	Quantity
Wood Rail	Foot	32.5

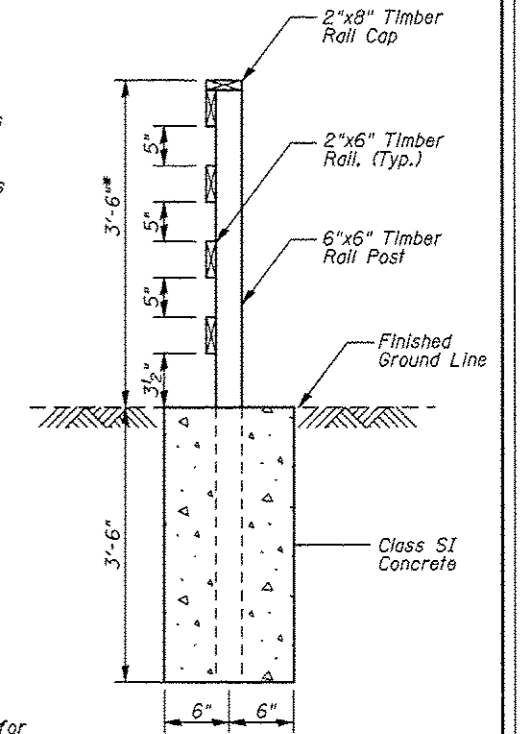
F.A.U. RTE.	SECTION	COUNTY	TOTAL SHEETS	SHEET NO.
	06-00016-00-BT	MADISON	310	186
FED. ROAD DIST. NO.	ILLINOIS	CONTRACT NO. 97433		



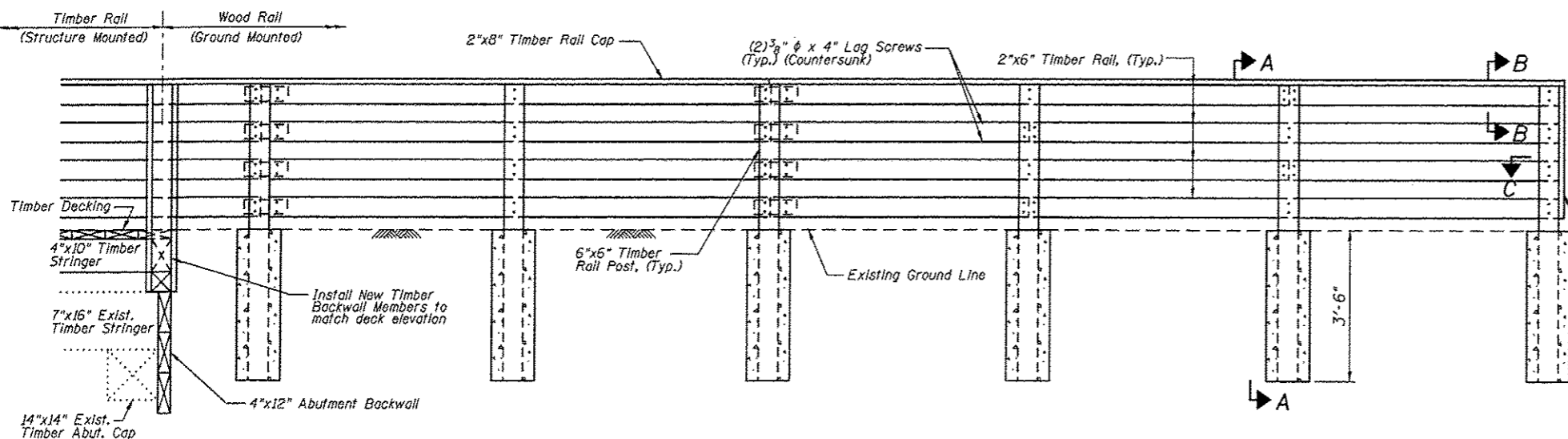
PLAN
(Northeast Wood Rail)



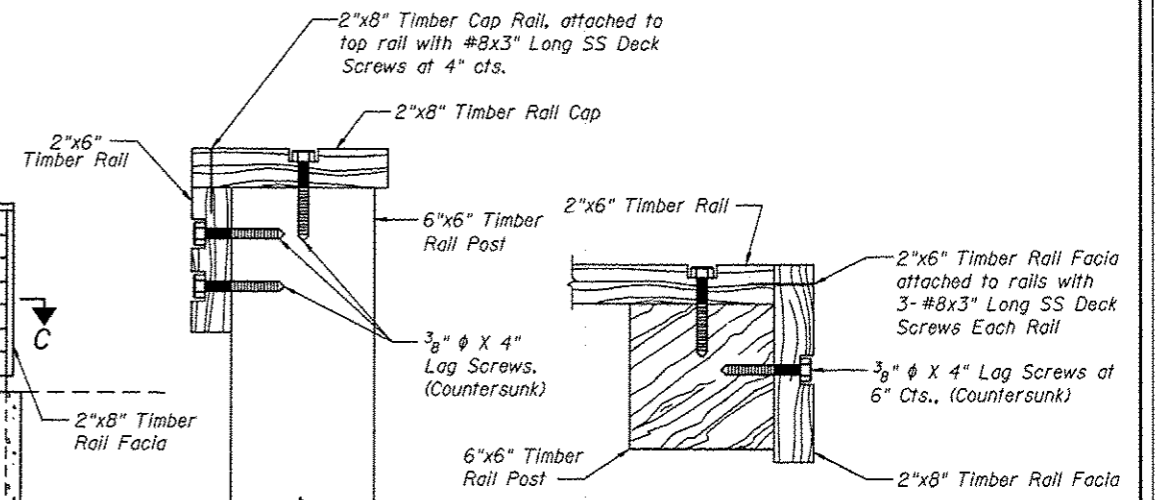
BENT PLATE



SECTION A-A



ELEVATION
(Northeast Wood Rail)



SECTION B-B

SECTION C-C

Notes:

No splices allowed on end railing.

Payment for furnishing & installing all material, necessary to construct the wood rail, including all posts, rails, rail cap, bent plate, hardware, excavation, Class SI concrete and all other appurtenances and incidental work, complete in place, will be considered completely covered by the contract unit price per foot for Wood Rail.

* Top of top timber rail shall be installed a minimum of 3'-6" above the finished groundline. Adjust post length according in field.

<p>Juneau Associates, Inc. P.C. CONSULTING ENGINEERS AND LAND SURVEYORS 2100 State Street, P.O. Box 1325 Juneau, Alaska 99801 Phone: (907) 586-1100 Fax: (907) 586-1101</p>		<p align="center">WOOD RAIL DETAILS</p> <p align="center">GLEN CARBON HERITAGE BIKE TRAIL OVER JUDY BRANCH MADISON COUNTY STATION 167+25.86 STRUCTURE NO. 4</p>									
<p align="center">REVISIONS</p> <table border="1"> <thead> <tr> <th>NO.</th> <th>DATE</th> <th>BY</th> <th>REMARKS</th> </tr> </thead> <tbody> <tr> <td> </td> <td> </td> <td> </td> <td> </td> </tr> </tbody> </table>		NO.	DATE	BY	REMARKS					<p>SCALE: NOT TO SCALE, FOLLOW DIMENSIONS</p>	
NO.	DATE	BY	REMARKS								
<p>DGN NAME:</p>		<p>JOB NO. E064403 DGN. NO.</p>									
<p>NO. DATE BY</p>		<p>DATE: 10/18/12</p>									
<p>DATE: 10/18/12</p>		<p>DATE: 10/18/12</p>									
<p>DATE: 10/18/12</p>		<p>DATE: 10/18/12</p>									
<p>SHEET</p>		<p>186</p>									
<p>OF 310 SHEETS</p>		<p>OF 310 SHEETS</p>									

P:\In\10-03-10 AM 12/19/2012 W:\STRUCT\E064403 MCT Heritage Trail\Drawings\Structure 107-2012\05-06\085-186 Fence Details.dgn