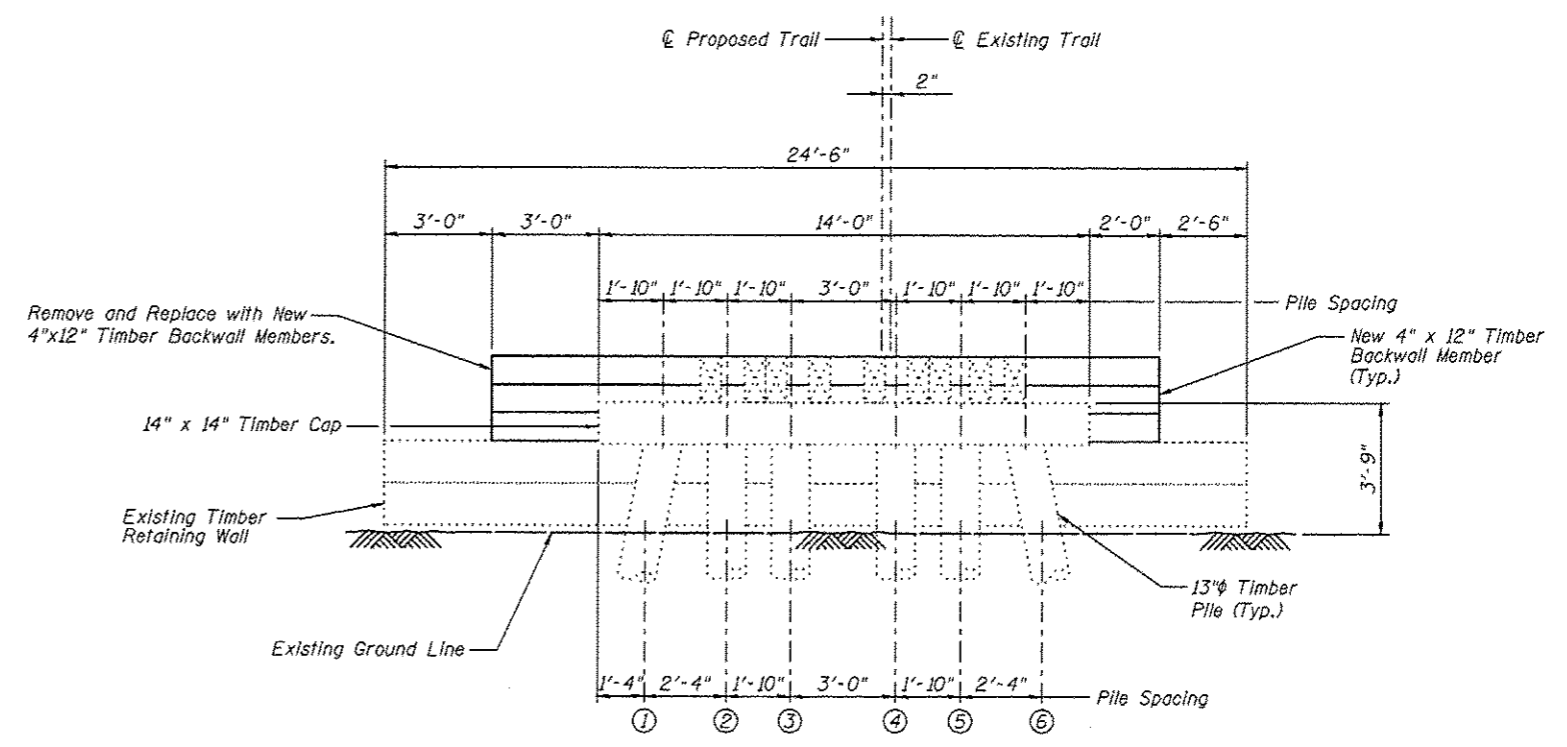


**PIER 5**  
(Looking East)

**PIER 5 BILL OF MATERIAL**

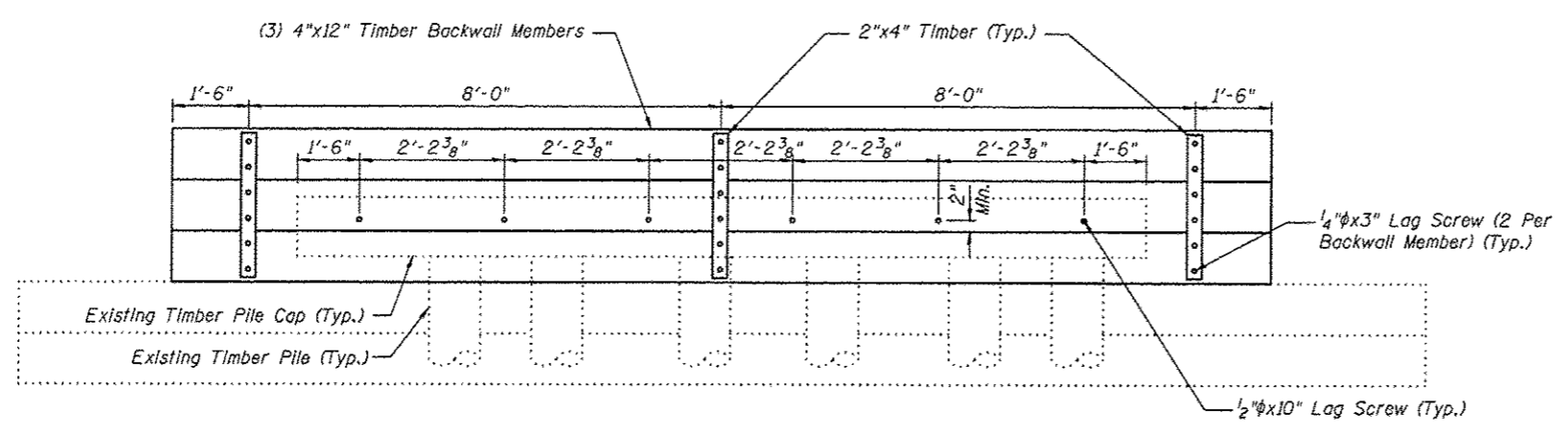
Item	Unit	Quantity
Treated Timber	F.B.M.	50



**EAST ABUTMENT**  
(Looking East)

**EAST ABUTMENT BILL OF MATERIAL**

Item	Unit	Quantity
Treated Timber	F.B.M.	234



**EAST ABUTMENT**  
(Looking West)

Notes:  
All dimensions are approximate.  
All new timber members shown shall be included in the pay item Treated Timber.

<p><b>Juneau Associates, Inc. P.C.</b> CONSULTING ENGINEERS AND LAND SURVEYORS 2100 State Street, P.O. Box 1325 Granite City, Illinois 62520 Phone: (618) 317-1600 Fax: (618) 317-9541</p>		<p>GLEN CARBON HERITAGE BIKE TRAIL OVER JUDY BRANCH MADISON COUNTY STATION 227+74.04 STRUCTURE NO. 8</p>									
<p>REVISIONS</p> <table border="1"> <thead> <tr> <th>NO.</th> <th>DATE</th> <th>BY</th> <th>REMARKS</th> </tr> </thead> <tbody> <tr> <td> </td> <td> </td> <td> </td> <td> </td> </tr> </tbody> </table>		NO.	DATE	BY	REMARKS					<p>SCALE: NOT TO SCALE, FOLLOW DIMENSIONS</p>	
NO.	DATE	BY	REMARKS								
<p>DGN NAME:</p>		<p>DSN. BY: DB</p>	<p>DATE: 10/18/12</p>								
<p> </p>		<p>DWN. BY: EER</p>	<p>DATE: 10/18/12</p>								
<p> </p>		<p>CHK'D: WWH</p>	<p>DATE: 10/18/12</p>								
<p> </p>		<p>JOB NO. E064403</p>	<p>DGN. NO. 02 310 EHTS</p>								

10/04/53 AM 12/19/2012 W:\STRUCTURE\06-4403 MCT Heritage Trail\Drawings\Structure 06-Proposed Structure 06-Proposed Structure.dwg & Pior 5.dwg