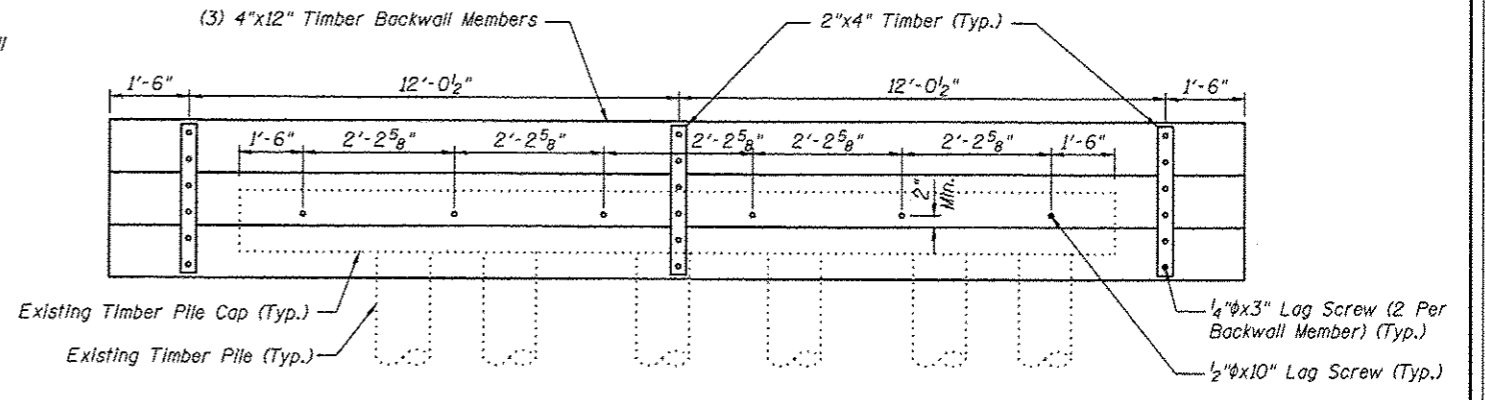


**EAST ABUTMENT**  
(Looking East)



**EAST ABUTMENT**  
(Looking West)

**EAST ABUTMENT  
BILL OF MATERIAL**

Item	Unit	Quantity
Treated Timber	F.B.M.	331

Note:  
All dimensions are approximate.  
All new timber members shown shall be included in the pay item Treated Timber.

<p><b>Juneau Associates, Inc. P.C.</b> CONSULTING ENGINEERS AND LAND SURVEYORS 3106 Lewis Street, P.O. Box 1303 Juneau, Alaska 99801 Phone: (907) 586-1100 Fax: (907) 586-1101</p>		<p>GLEN CARBON HERITAGE BIKE TRAIL OVER JUDY BRANCH MADISON COUNTY STATION 233+36.38 STRUCTURE NO. 9</p>									
<p>REVISIONS</p> <table border="1"> <thead> <tr> <th>NO.</th> <th>DATE</th> <th>BY</th> <th>REMARKS</th> </tr> </thead> <tbody> <tr> <td> </td> <td> </td> <td> </td> <td> </td> </tr> </tbody> </table>		NO.	DATE	BY	REMARKS					<p>SCALE: NOT TO SCALE, FOLLOW DIMENSIONS</p>	
NO.	DATE	BY	REMARKS								
<p>DGN NAME:</p>		<p>JOB NO. E064403 DGN. NO.</p>									
<p>DSN. BY: DB</p>		<p>DATE: 10/18/12</p>									
<p>DWN. BY: EER</p>		<p>DATE: 10/18/12</p>									
<p>CHR'D: WWH</p>		<p>DATE: 10/18/12</p>									
<p>224</p>		<p>OF 310 SHEETS</p>									

Printed 10/05/12 AM 12/19/2012 W:\STRUCTURE\ED64403 MCT Heritage Trail\Drawings\Structure -09\Proposed Structure -09.dwg E:\abnt.dgn