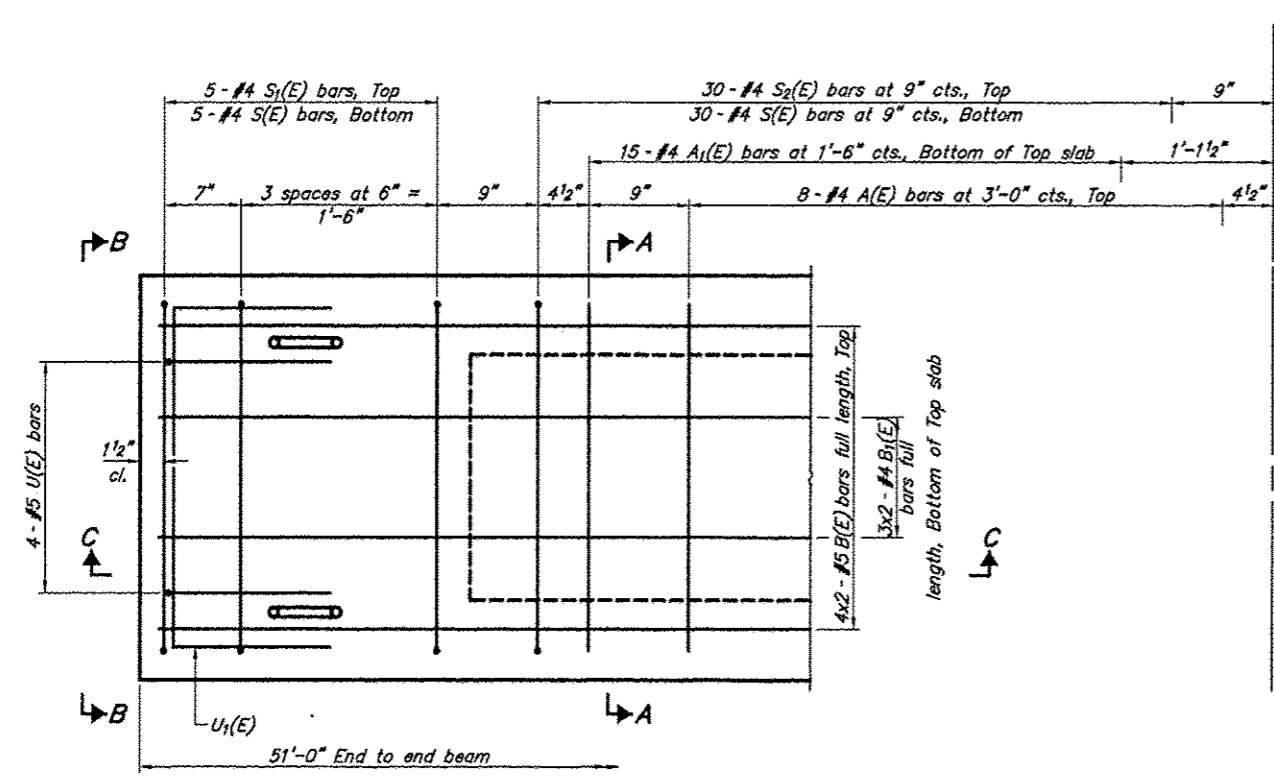
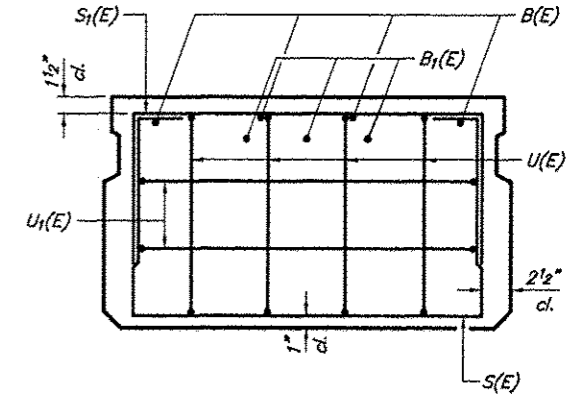
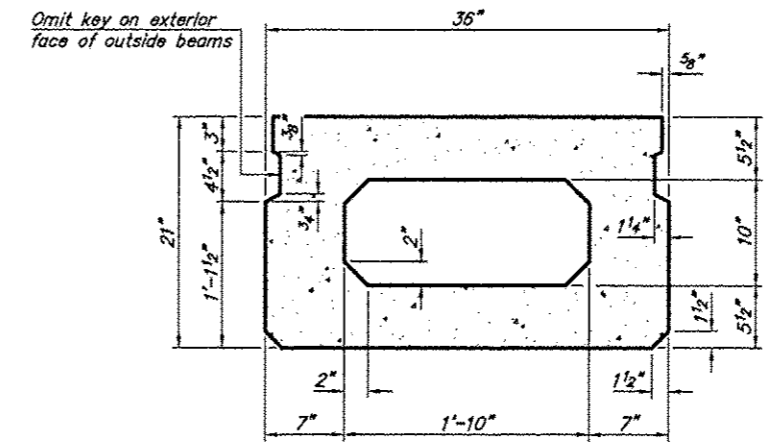
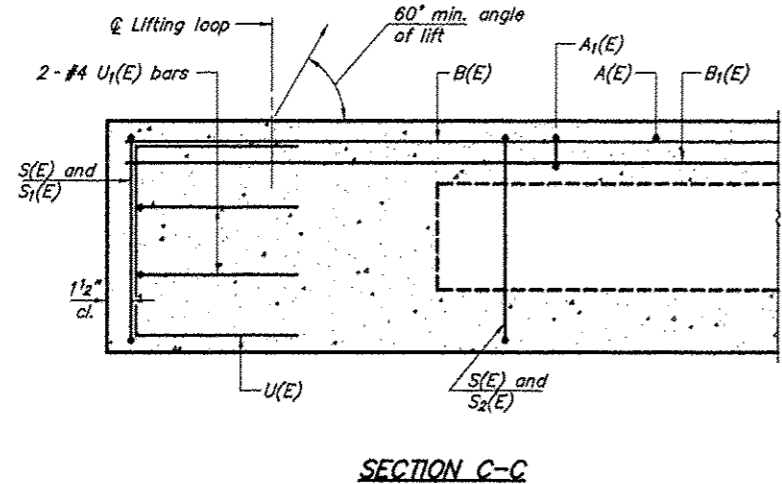
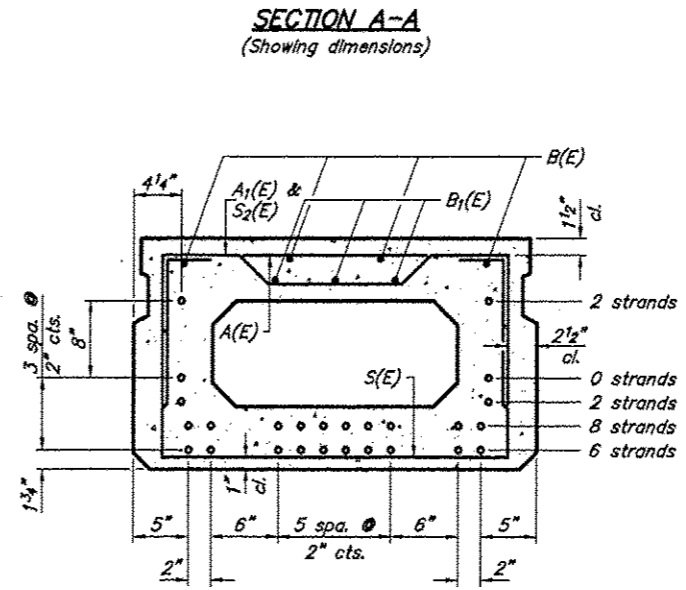


ROUTE	SECTION	COUNTY	TOTAL SHEETS	SHEET NO.
TR 44	11-01164-00-BR	ALEXANDER	12	4
PROJECT NO. BROS-0003(128)			CONTRACT NO. 99461	



Symmetrical about  $\bar{C}$



**BAR LIST**  
**ONE BEAM ONLY**  
(For information only)

Bar	No.	Size	Length	Shape
A(E)	16	#4	2'-7"	—
A1(E)	30	#4	2'-10"	—
B(E)	8	#5	26'-5"	—
B1(E)	6	#4	26'-2"	—
S(E)	71	#4	6'-5"	□
S1(E)	10	#4	4'-11"	□
S2(E)	61	#4	5'-2"	□
U(E)	8	#5	4'-0"	□
U1(E)	4	#4	5'-0"	□

Bar Laps #4 bars = 1'-8"  
#5 bars = 2'-2"

**PLAN VIEW**

**SECTION A-A**  
(Showing reinforcement and permissible strand locations)

Note: Place the number of strands specified in each row symmetrically about the centerline of beam in the permissible strand locations shown.

Note: Spacing of S(E) and S2(E) bars may be adjusted up to 4" in the immediate area of the transverse tie diaphragms to miss the block outs for the transverse ties.

21" X 36" PPC DECK BEAM  
TOWNSHIP ROUTE 44 (TWENTE CROSSING ROAD)  
TRIBUTARY TO CIRCLE DITCH  
SECTION 11-01164-00-BR  
ALEXANDER COUNTY  
STRUCTURE NO. 002-3110