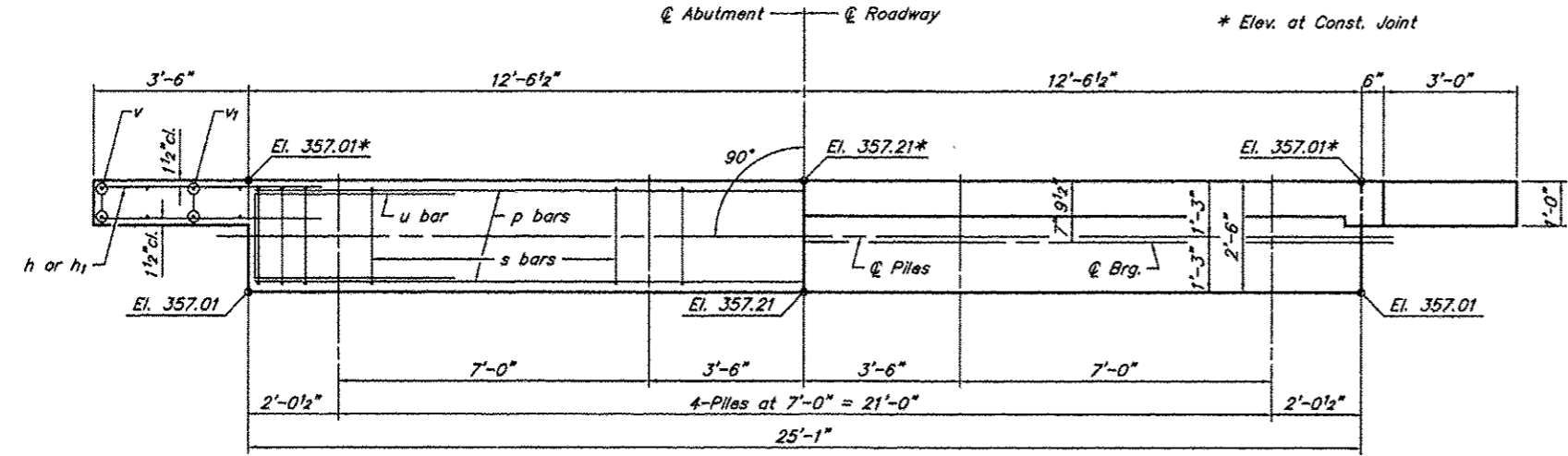
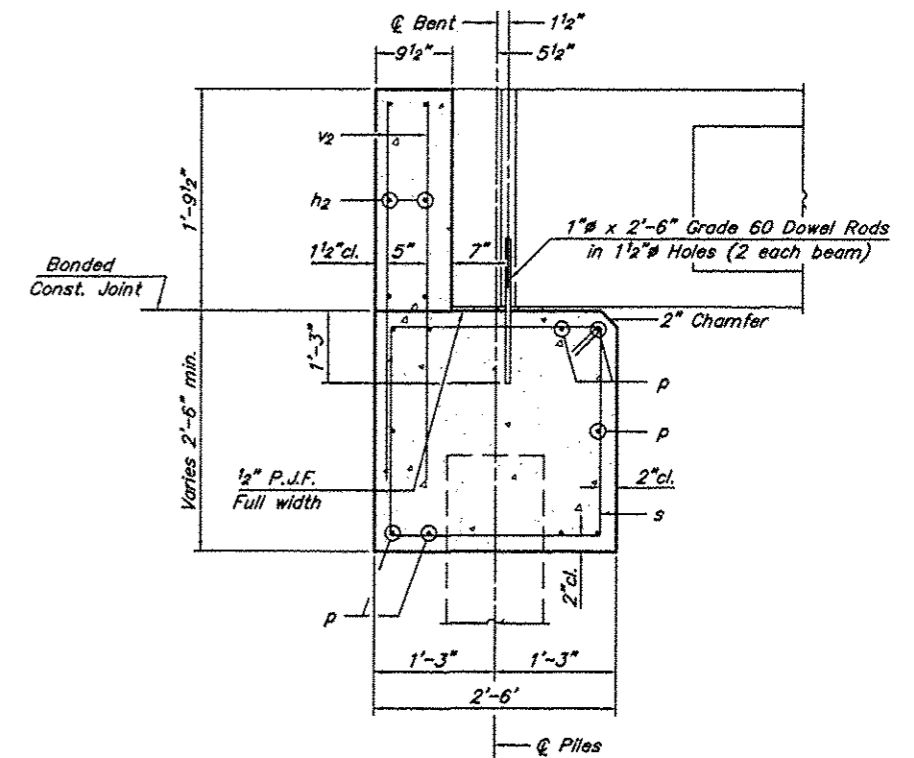


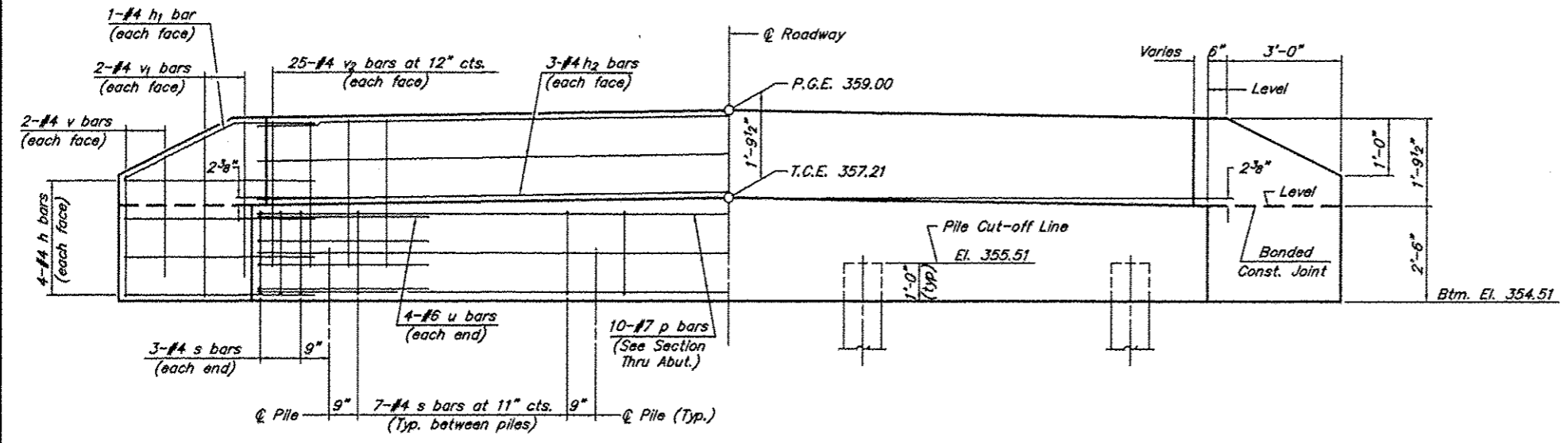
ROUTE	SECTION	COUNTY	TOTAL SHEETS	SHEET NO
TR 44	11-01164-00-BR	ALEXANDER	12	8
PROJECT NO. BROS-0003(126)			CONTRACT NO. 99461	



PLAN



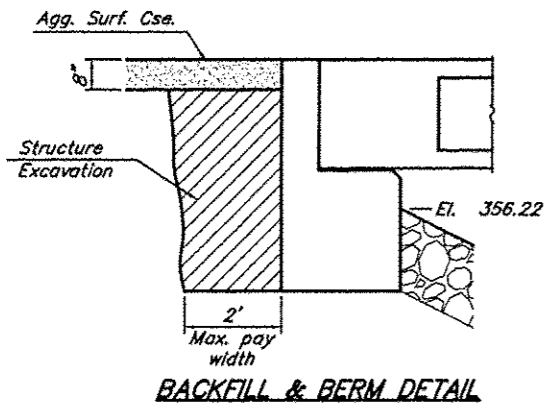
SECTION THRU ABUT.
(At Right Angles)



ELEVATION

BILL OF MATERIAL FOR ONE ABUTMENT

Bar	No.	Size	Length	Shape
h	16	#4	5'-0"	—
h1	4	#4	5'-0"	—
h2	6	#4	24'-9"	—
p	10	#7	24'-9"	—
s	27	#4	9'-5"	□
u	8	#6	11'-1"	□
v	8	#4	3'-2"	—
v1	8	#4	3'-11"	—
v2	50	#4	3'-5"	—
Concrete Structures			8.4	Cu. Yds.
Reinforcement Bars			1127	Lbs.



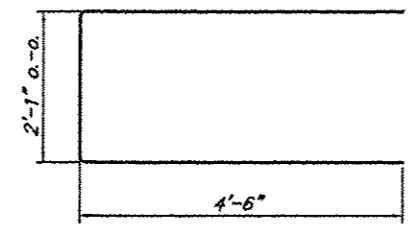
BACKFILL & BERM DETAIL

NOTES

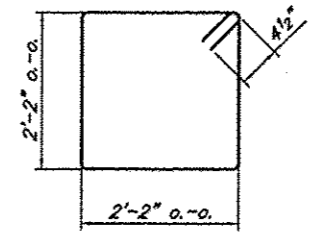
- The Backwall and the portion of the Wingwalls above the bonded construction joint shall be cast against the in-place beam.
- Reinforcement bars shall conform to A.A.S.H.T.O. M-31, M-42 or M-53, Grade 60.

DESIGN STRESSES

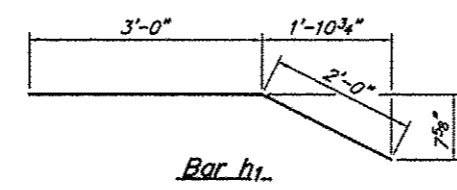
$f'_c = 3,500 \text{ psi}$
 $f_y = 60,000 \text{ psi}$



Bar u



Bar s



Bar h1

ABUTMENT
TOWNSHIP ROUTE 44 (TWENTE CROSSING ROAD)
TRIBUTARY TO CIRCLE DITCH
SECTION 11-01164-00-BR
ALEXANDER COUNTY
STRUCTURE NO. 002-3110