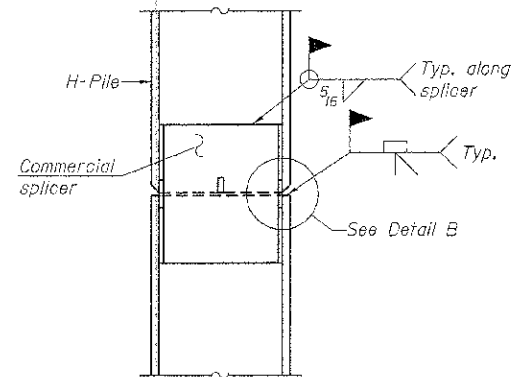
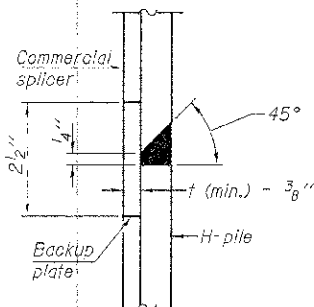


STEEL PILE TABLE

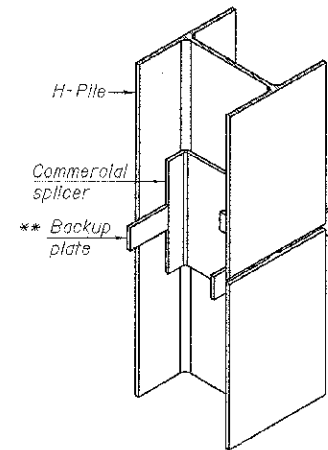
Designation	Depth d	Flange width br	Web and Flange thickness t	Encasement diameter A
HP 14x117	14 1/4"	14 7/8"	1 1/8"	30"
x102	14"	14 3/4"	1 1/8"	30"
x89	13 7/8"	14 3/4"	5/8"	30"
x73	13 5/8"	14 5/8"	1/2"	30"
HP 12x84	12 1/4"	12 1/4"	1 1/8"	24"
x74	12 1/8"	12 1/4"	5/8"	24"
x63	12"	12 1/8"	1/2"	24"
x53	11 3/4"	12"	7/16"	24"
HP 10x57	10"	10 1/4"	3/8"	24"
x42	9 3/4"	10 1/8"	7/16"	24"
HP 8x36	8"	8 1/8"	7/16"	18"



ELEVATION

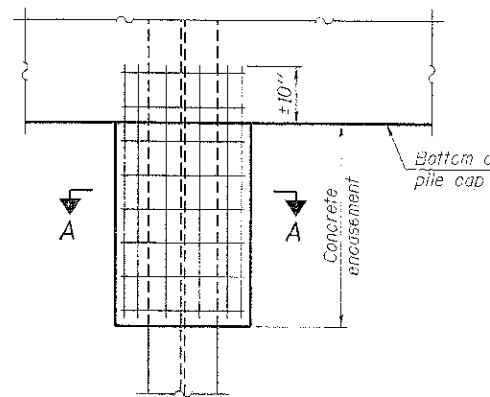


DETAIL "B"



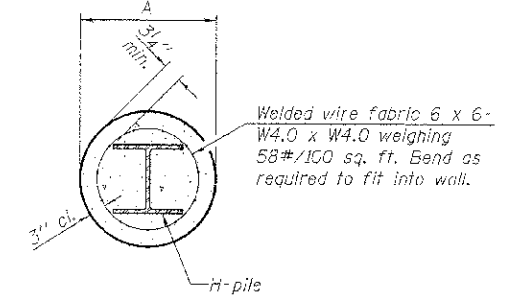
ISOMETRIC VIEW

WELDED COMMERCIAL SPLICE

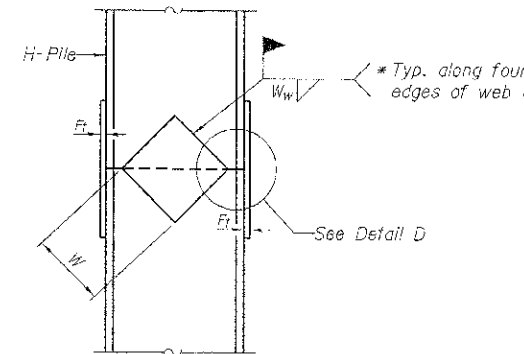


ELEVATION

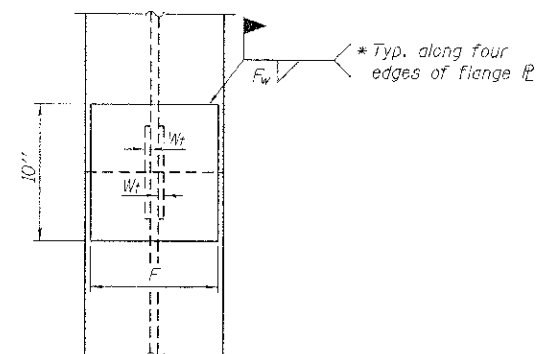
PILE ENCASEMENT



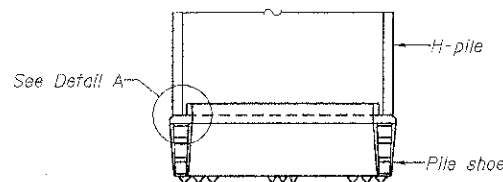
SECTION A-A



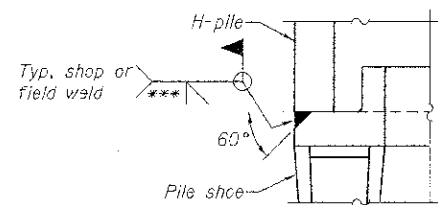
ELEVATION



END VIEW

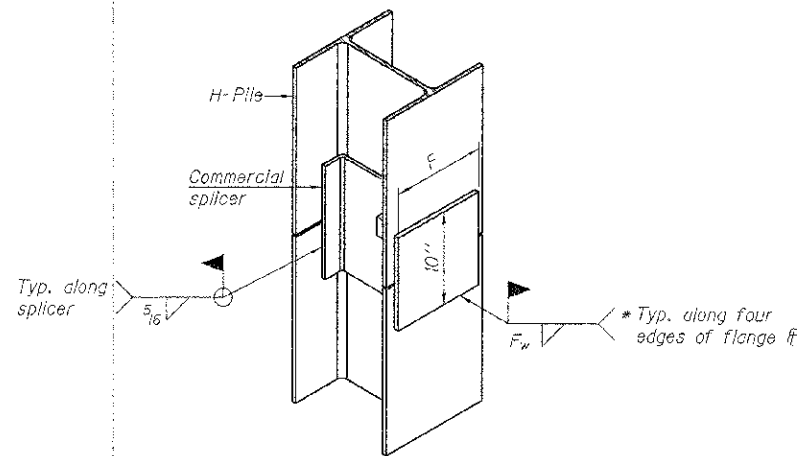


ELEVATION



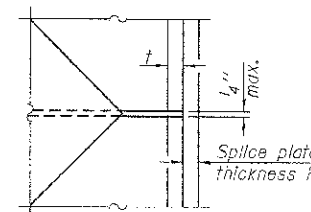
DETAIL A

H-PILE SHOE ATTACHMENT



ISOMETRIC VIEW

WELDED COMMERCIAL SPLICE ALTERNATE



DETAIL D

WELDED PLATE FIELD SPLICE

Designation	F	F ₁	F _w	W	W ₁	H _w
HP 14x117	12 1/2"	1"	7/8"	7 3/4"	5/8"	1/2"
x102	12 1/2"	7/8"	3/4"	7 3/4"	5/8"	1/2"
x89	12 1/2"	3/4"	5/16"	7 3/4"	5/8"	1/2"
x73	12 1/2"	5/8"	9/16"	7 3/4"	5/8"	1/2"
HP 12x84	10"	7/8"	1/2"	6 1/2"	5/8"	1/2"
x74	10"	7/8"	5/8"	6 1/2"	5/8"	1/2"
x63	10"	5/8"	1/2"	6 1/2"	1/2"	3/8"
x53	10"	5/8"	1/2"	6 1/2"	1/2"	3/8"
HP 10x57	8"	3/4"	9/16"	5 1/4"	1/2"	3/8"
x42	8"	5/8"	9/16"	5 1/4"	1/2"	3/8"
HP 8x36	7"	5/8"	7/16"	4 1/4"	1/2"	3/8"

- * Interrupt welds 1/4" from end of web and/or each flange.
- ** Remove portions of backup plates that extend outside the flanges.
- *** Weld size per pile shoe manufacturer (5/16" min.).

Note:
The steel H-piles shall be according to AASHTO M270 Grade 50.

F-HP

1-27-12

FILE NAME = 110272-ent-brd.dgn	USER NAME =	DESIGNED - A.S.L.	REVISED -	STATE OF ILLINOIS WHITE COUNTY HIGHWAY DEPARTMENT	HP PILE DETAILS STRUCTURE NO. 097-3279	T.R.	SECTION	COUNTY	TOTAL SHEETS	SHEET NO.	
HAMPTON, LENZINI AND RENWICK, INC. 303 STEVENSON DRIVE, SUITE 701 SPRINGFIELD, ILLINOIS 62761	PLOT SCALE =	CHECKED - S.W.M.	REVISED -			27	10-05117-00-BR	WHITE	13	11	
ELI & S. PROFESSIONAL DESIGN FIRM 151 P.E. / 36 COMP. 184 09289	PLOT DATE = 12/2/2012	DRAWN - D.A.B.	REVISED -			CONTRACT NO. 99484					
		CHECKED - S.W.M.	REVISED -			[ILLINOIS] FED. AID PROJECT BR05-193(058)					