

STATE OF ILLINOIS
DEPARTMENT OF TRANSPORTATION

FAI RTE.	SECTION	COUNTY	TOTAL SHEETS	SHEET NO.
**	FAI 290 23 LITTER	ILLINOIS	5	1

FAI 290 & FAP 342

Cook & DuPage

D-91-087-24



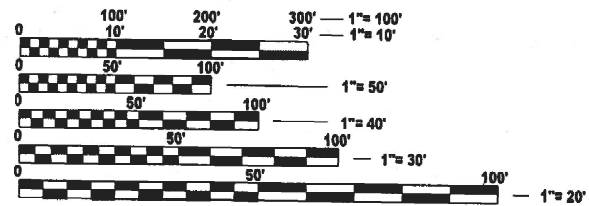
FOR INDEX OF SHEETS, SEE SHEET NO. 2

PROPOSED HIGHWAY PLANS

**FAI ROUTE 290 / FAP 342: I-290 / IL-53
LAKE COOK RD TO IL 83 (KINGERY HWY)
SECTION: FAI 290 23 LITTER
EXPRESSWAY HIGHWAY CLEANING (LITTER/ DEBRIS REMOVAL)
COUNTIES: COOK & DuPAGE**

C-91-102-24

LOCATION MAP - SEE INDEX OF SHEETS



FULL SIZE PLANS HAVE BEEN PREPARED USING STANDARD ENGINEERING SCALES. REDUCED SIZED PLANS WILL NOT CONFORM TO STANDARD SCALES. IN MAKING MEASUREMENTS ON REDUCED PLANS, THE ABOVE SCALES MAY BE USED.

J.U.L.I.E.
JOINT UTILITY LOCATION INFORMATION FOR EXCAVATION
1-800-892-0123
OR 811

**PROJECT ENGINEER: RODRIGO LEDEZMA
PROJECT MANAGER: J. ALAIN MIDY**

(847) 705-4580
(847) 221-3056

CONTRACT NO. 62W07

GROSS LENGTH = 138,336 FT. = 26.2 MILE
NET LENGTH = 138,336 FT. = 26.2 MILE

STATE OF ILLINOIS
DEPARTMENT OF TRANSPORTATION

SUBMITTED November 23, 2023
Jose Rivas
REGIONAL ENGINEER

February 2, 2024
[Signature]
ENGINEER OF DESIGN AND ENVIRONMENT

February 2, 2024
[Signature]
DIRECTOR OF HIGHWAYS PROJECT IMPLEMENTATION

**PRINTED BY THE AUTHORITY
OF THE STATE OF ILLINOIS**

INDEX OF SHEETS

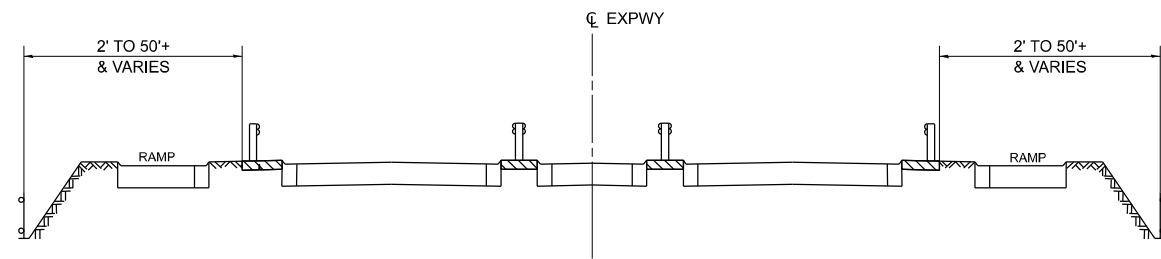
1. TITLE SHEET
2. INDEX OF SHEETS
APPLICABLE STATE STANDARDS
3. SUMMARY OF QUANTITIES
SCHEDULE OF CLEANING STARTING DATES
4. EXPRESSWAY CLEANING: I-290 EXTENSION/ ILL 53,
5. TRAFFIC CONTROL DETAILS FOR FREEWAY SHOULDER CLOSURES
AND PARTIAL RAMP CLOSURES (TC-17)

STATE STANDARDS

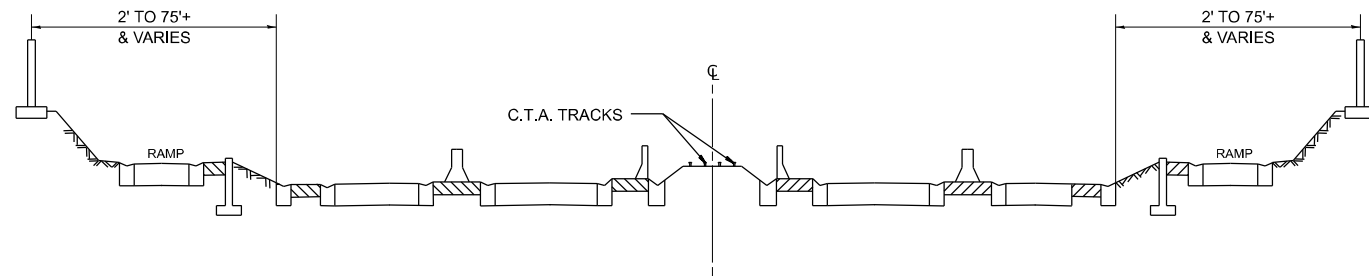
- 701106-02 OFF-ROAD OPERATION MULTILANE, MORE THAN 15' AWAY
- 701426-09 LANE CLOSURE, MULTILANE, INTERMITTENT OR MOVING OPER., FOR SPEEDS ? 45 MPH
- 701901-09 TRAFFIC CONTROL DEVICES

MODEL: GenNotesSh01 [Sheet]
 FILE NAME: c:\pw_work\wiscoll\ledezma\mmd0917601\ID108724-shr-gennote.dgn

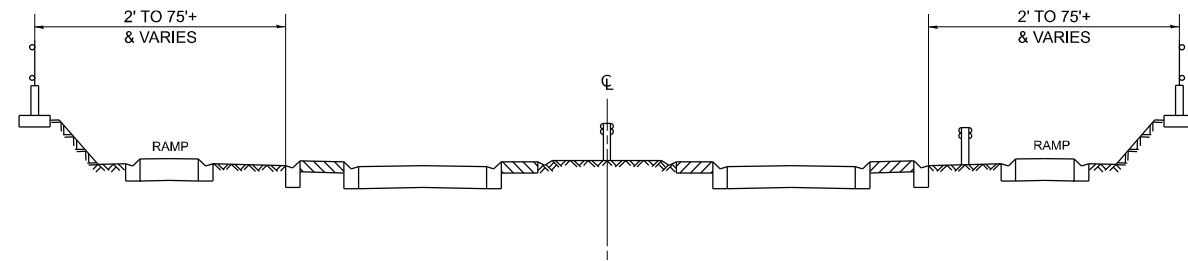
USER NAME = rodrigo.ledezma DESIGNED - DRAWN - PLOT SCALE = 0.16666633' / in. CHECKED - PLOT DATE = 9/5/2023 DATE -	REVISED - REVISED - REVISED - REVISED -	STATE OF ILLINOIS DEPARTMENT OF TRANSPORTATION	INDEX OF SHEETS AND STATE STANDARDS I-290 / IL 53 (LAKE COOK RD TO IL 83)	<table border="1" style="width: 100%; border-collapse: collapse;"> <tr> <th style="font-size: small;">F.A.I. RTE.</th> <th style="font-size: small;">SECTION</th> <th style="font-size: small;">COUNTY</th> <th style="font-size: small;">TOTAL SHEETS</th> <th style="font-size: small;">SHEET NO.</th> </tr> <tr> <td style="text-align: center;">**</td> <td style="text-align: center;">FAI 290 23 LITTER</td> <td style="text-align: center;">*</td> <td style="text-align: center;">5</td> <td style="text-align: center;">2</td> </tr> <tr> <td colspan="5" style="text-align: right; font-size: x-small;">CONTRACT NO. 62W07</td> </tr> </table>	F.A.I. RTE.	SECTION	COUNTY	TOTAL SHEETS	SHEET NO.	**	FAI 290 23 LITTER	*	5	2	CONTRACT NO. 62W07				
F.A.I. RTE.	SECTION	COUNTY	TOTAL SHEETS	SHEET NO.															
**	FAI 290 23 LITTER	*	5	2															
CONTRACT NO. 62W07																			
SCALE: SHEET OF 1 SHEETS STA. TO STA.			ILLINOIS FED. AID PROJECT																



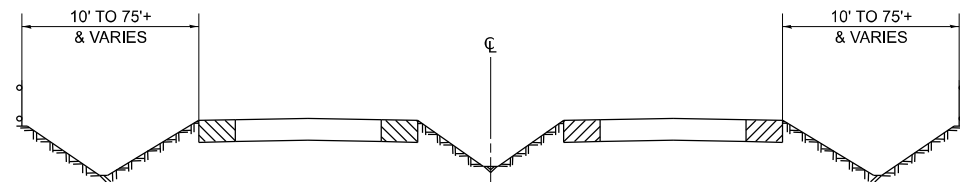
TYPICAL EXPRESSWAY CROSS-SECTION NO. 1



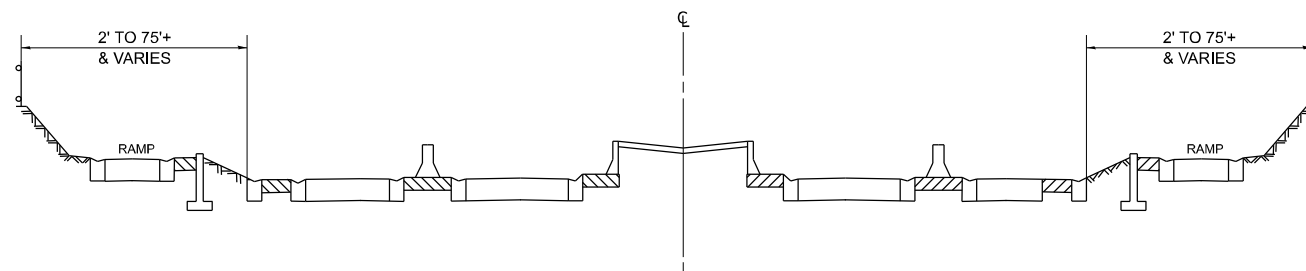
TYPICAL EXPRESSWAY CROSS-SECTION NO. 2



TYPICAL EXPRESSWAY CROSS-SECTION NO. 3



TYPICAL EXPRESSWAY CROSS-SECTION NO. 4



TYPICAL EXPRESSWAY CROSS-SECTION NO. 5

NOTES:

1. SCHEDULE MAY VARY AS DIRECTED BY THE ENGINEER.
3. NO WORK WILL BE ALLOWED DURING ANY LEGAL HOLIDAY PERIOD.
4. ALL SCHEDULES OF ANTICIPATED STARTING DATES SHOWN ARE TENTATIVE AS DETERMINED BY THE DEPARTMENT'S OPERATIONAL NEEDS.
5. NO DAILY CONTRACTOR WORK REQUESTS/ SCHEDULING SHALL BE AUTHORIZED OR APPROVED TO START WHEN IT IS DETERMINED BY THE ENGINEER THAT WEATHER CONDITIONS WILL BE UNFAVORABLE. APPROVAL OF ALL DAILY CONTRACTOR WORK SCHEDULE REQUEST SHALL BE SOLELY DETERMINED BY THE ENGINEER AND OR PROJECT SUPERVISOR.
6. ALL SHOULDER CLOSURES SHALL BE IMMEDIATELY REMOVED DURING ALL ADVERSE WEATHER CONDITIONS **WITHOUT EXCEPTION**, INCLUDING BUT NOT LIMITED TO RAIN, WET ROAD SURFACE (SPRAY FROM TIRES), MIST, DRIZZLE, SLEET, SNOW, FOG AND ANY OTHER CIRCUMSTANCE DETERMINED UNSAFE BY THE ENGINEER. **THE CONTRACTOR SHALL IMPLEMENT THIS CONTRACT REQUIREMENT IMMEDIATELY WITHOUT WAITING FOR DEPARTMENT INSTRUCTIONS.**
8. **NO** WORK WILL BE ALLOWED ON THE FOLLOWING DATES UNLESS IT IS CONSIDERED AN EMERGENCY, IMMEDIATE HAZARD OR ANY WORK AS DESIGNATED BY THE DEPARTMENT THAT REQUIRES FIRST PRIORITY CORRECTIVE ACTION:

EASTER HOLIDAY
 MEMORIAL DAY HOLIDAY
 INDEPENDENCE DAY HOLIDAY
 LABOR DAY HOLIDAY
 THANKSGIVING HOLIDAY
 CHRISTMAS EVE / NEW YEARS HOLIDAY

SUMMARY OF QUANTITIES

CODE NO.	ITEM	UNIT	COOK		DUPAGE
			URBAN	100 % STATE 0044	100 % STATE 0044
	TOTAL QUANTITIES		EXPRESSWAY	EXPRESSWAY	
X0326643	LITTER PICKING	MILE	240	180	60

MODEL: TYP (Sheet)
 FILE NAME: c:\p\work\project\ledezma\m0917801\108724-sh-typical.dgn

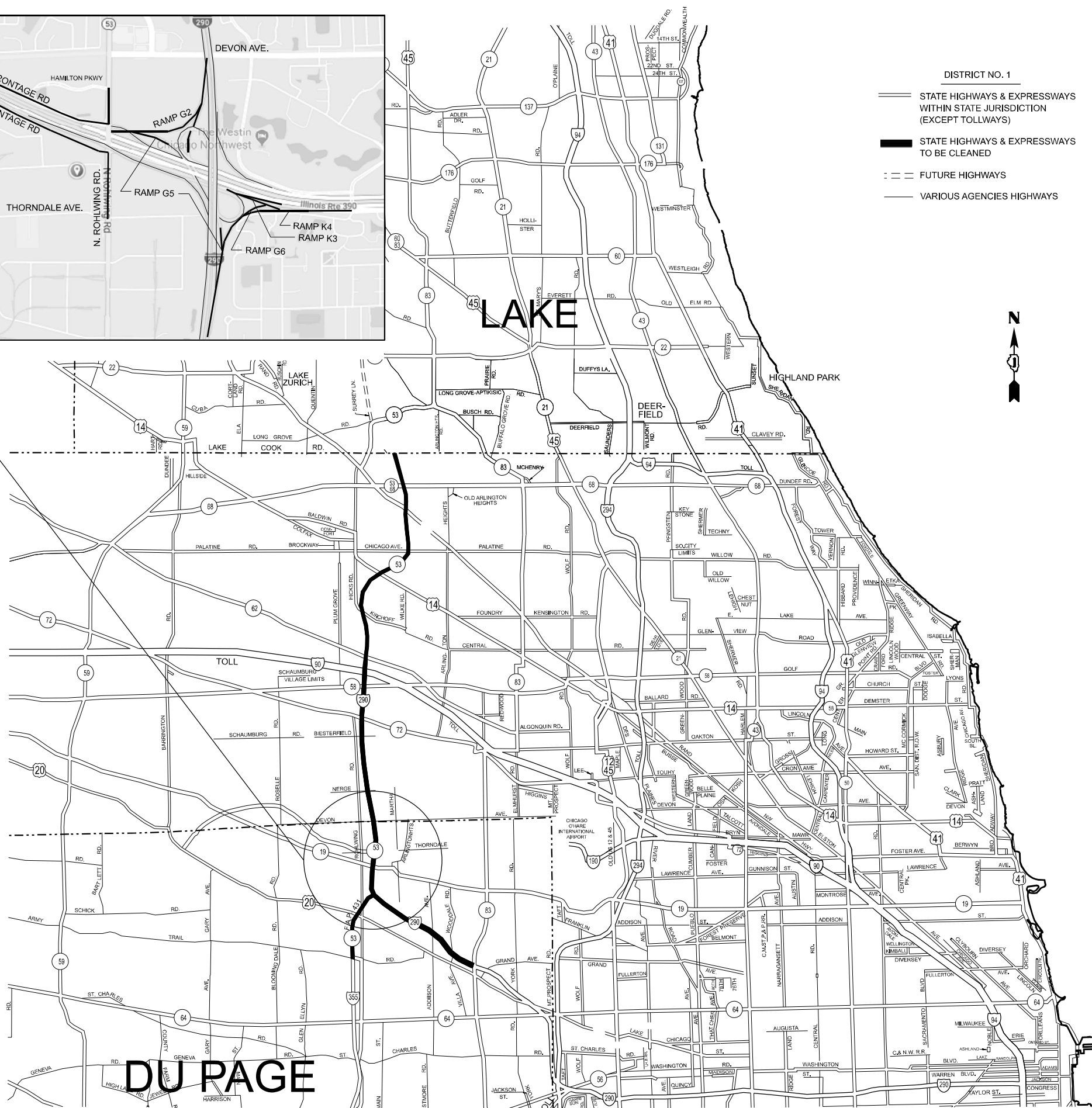
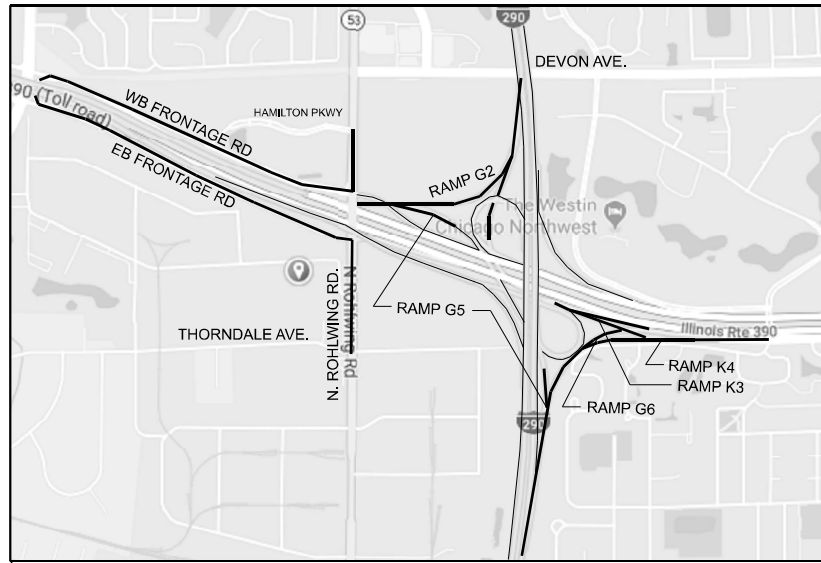
USER NAME = rodrigo.ledezma	DESIGNED -	REVISED -
PLOT SCALE = 0.16666633' / in.	DRAWN -	REVISED -
PLOT DATE = 9/5/2023	CHECKED -	REVISED -
	DATE -	REVISED -

**STATE OF ILLINOIS
 DEPARTMENT OF TRANSPORTATION**

**EXPRESSWAY TYPICAL CROSS SECTIONS
 I-290 / IL 53 (LAKE COOK RD TO IL 83)**

SCALE: 1"=50' SHEET OF 1 SHEETS STA. TO STA.

F.A.I. RTE.	SECTION	COUNTY	TOTAL SHEETS	SHEET NO.
**	FAI 290 23 LITTER	*	5	3
CONTRACT NO. 62W07				



- DISTRICT NO. 1
- STATE HIGHWAYS & EXPRESSWAYS WITHIN STATE JURISDICTION (EXCEPT TOLLWAYS)
 - STATE HIGHWAYS & EXPRESSWAYS TO BE CLEANED
 - FUTURE HIGHWAYS
 - VARIOUS AGENCIES HIGHWAYS



MODEL: DetailSheet1 (Sheet)
 FILE NAME: c:\p\work\wv\ic\dezmarm\0917801\ID108724-sh-details.dgn

USER NAME = rodrigo.ledezma	DESIGNED -	REVISED -
PLOT SCALE = 0.16666833' / in.	DRAWN -	REVISED -
PLOT DATE = 9/5/2023	CHECKED -	REVISED -
	DATE -	REVISED -

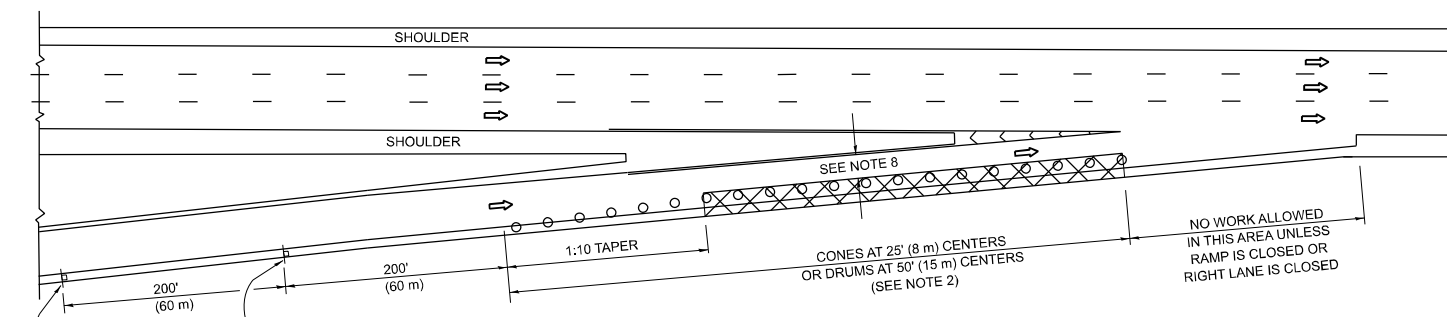
STATE OF ILLINOIS
DEPARTMENT OF TRANSPORTATION

EXPRESSWAY CLEANING LITTER / DEBRIS REMOVAL
I-290 / IL 53 (LAKE COOK RD TO IL 83)

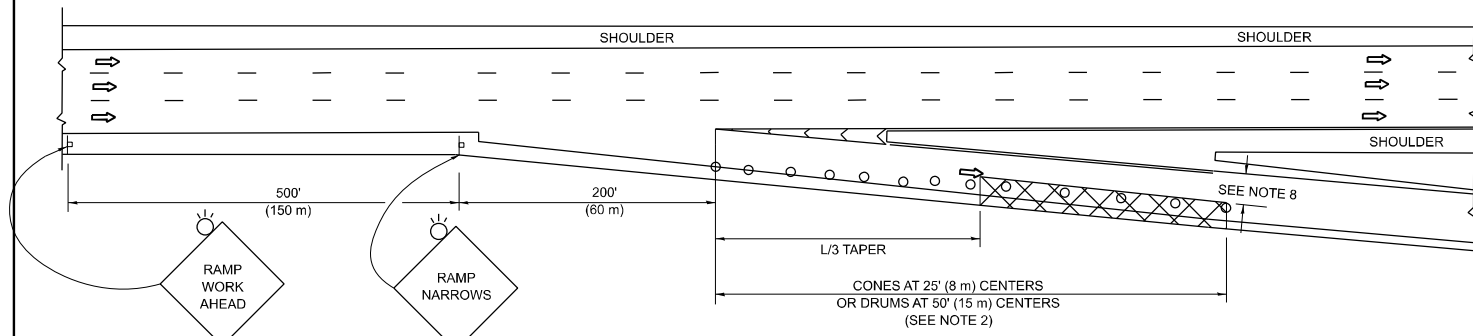
SCALE: SHEET OF 1 SHEETS STA. TO STA.

F.A.I. RTE.	SECTION	COUNTY	TOTAL SHEETS	SHEET NO.
**	FAI 290 23 LITTER	*	5	4
CONTRACT NO. 62W07				

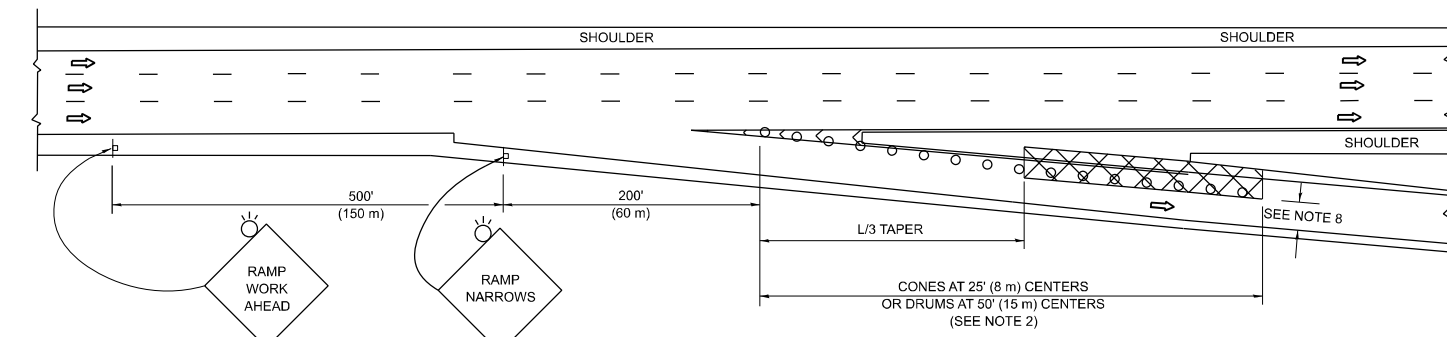
PARTIAL RAMP CLOSURE DETAILS



TYPICAL ENTRANCE RAMP



TYPICAL EXIT RAMP



TYPICAL EXIT RAMP

SYMBOLS

- ACTIVE WORK AREA
- SIGN ON PORTABLE OR PERMANENT SUPPORT
- FLAGGER WITH CONTROL SIGN
- TYPE II BARRICADE OR DRUM
- CONE, DRUM OR BARRICADE
- IMPACT ATTENUATOR OF TYPE AND TEST LEVEL SPECIFIED

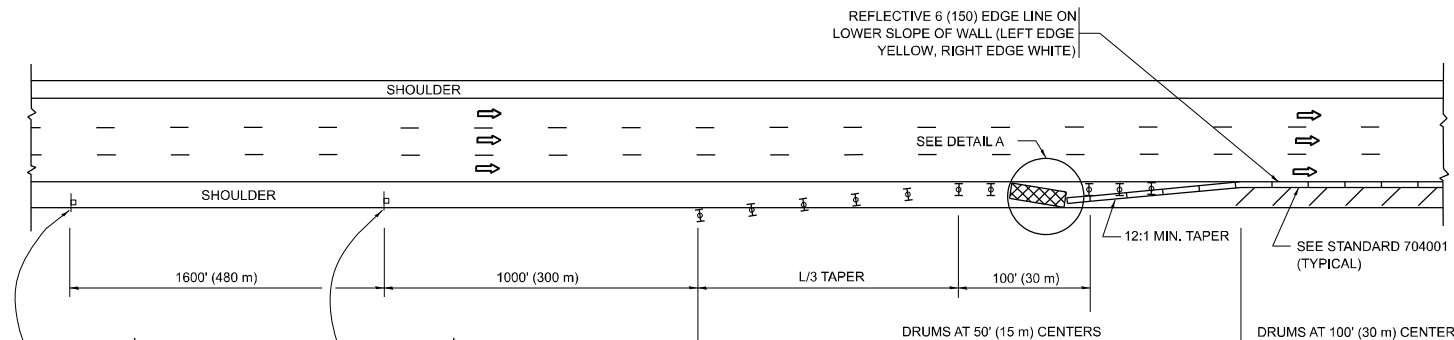
GENERAL NOTES:

- THE "L" DISTANCE EQUALS:

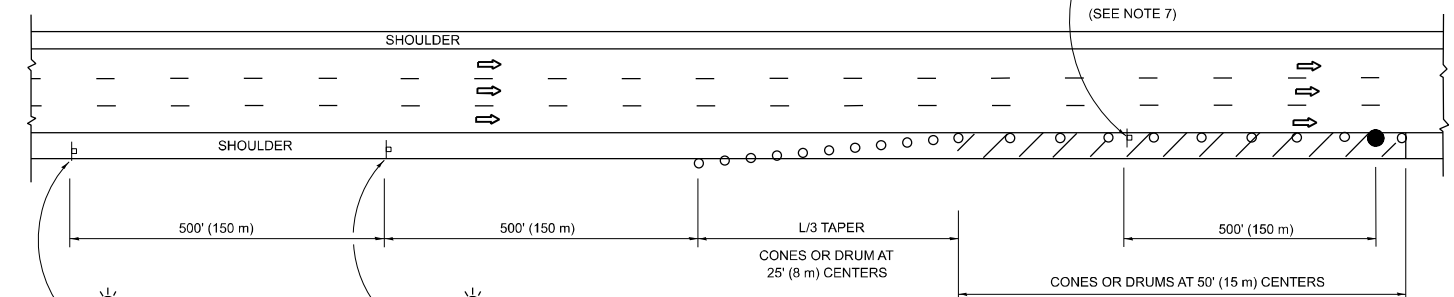
SPEED LIMIT	FORMULAS
45 mph (80 km/h)	METRIC ENGLISH
OR GREATER:	$L=0.65(W)(S)$ $L=(W)(S)$

W = WIDTH OF OFFSET IN FEET (METERS)
 S = NORMAL POSTED SPEED MPH (KM/H)
- TYPE II BARRICADES OR DRUMS ARE REQUIRED FOR ALL NIGHTTIME CLOSURES. TYPE II BARRICADES OR DRUMS WITH MONODIRECTIONAL STEADY BURN LIGHTS ARE REQUIRED FOR DELINEATING OBSTACLES, EXCAVATIONS, OR HAZARDS EXCEEDING 100 FT (30m) IN LENGTH AT NIGHT.
- ALL SIGNS SHALL BE POST MOUNTED IF THE CLOSURE TIME EXCEEDS FOUR DAYS.
- FLASHING LIGHTS SHALL BE USED DURING THE HOURS OF DARKNESS AND SHALL BE INSTALLED ABOVE THE FIRST TWO SETS OF SIGNS.

SHOULDER CLOSURE DETAILS



PERMANENT SHOULDER CLOSURE



TEMPORARY SHOULDER CLOSURE

- THIS DETAIL IS USED WHERE:
- VEHICLES, EQUIPMENT, WORKERS OR THEIR ACTIVITIES ENCR OACH IN AN AREA CLOSER THAN 15' (4.5 m) TO THE EDGE OF PAVEMENT FOR A PERIOD IN EXCESS OF 15 MINUTES.



**DETAIL "A"
IMPACT ATTENUATOR, TEMPORARY
(SEE NOTE 5)**

- THE IMPACT ATTENUATOR, TEMPORARY IS NOT REQUIRED WHEN THE TEMPORARY CONCRETE BARRIER WALL IS PROTECTED BY OR IS TIED INTO THE EXISTING GUARDRAIL. IF OFFSET IS LESS THAN 5 FEET USE NARROW USE TYPE DEVICE TO MEET NCHRP350/MASH.
- AUTHORIZATION FROM THE DISTRICT'S BUREAU OF TRAFFIC IS REQUIRED FOR ALL FREEWAY CLOSURES.
- THE FLAGGER AND FLAGGER SIGN ARE REQUIRED AT THE ABOVE WORK SITES WHEN:
 - FOUR OR MORE WORK VEHICLES ENTER THE TRAFFIC LANES IN A ONE HOUR PERIOD.
 - THE WORK AVTIVITY REQUIRES FREQUENT ENCR OACHMENT INTO THE LANE OPEN TO TRAFFIC.
 THE FLAGGER SHALL BE STATIONED APPROXIMATELY 100' (30 m) TO 200' (60 m) IN ADVANCE OF THE WORKERS.

- 12' MIN. WIDTH TANGENT SECTION
16' MIN. WIDTH CURVE SECTION.
- TEMPORARY SHOULDER AND NON-SYSTEM INTERCHANGE PARTIAL RAMP CLOSURES ARE ALLOWED WEEKDAYS BETWEEN 9:00 A.M. AND 3:00 P.M. AND BETWEEN 7:00 P.M. AND 5:00 A.M. OR AS APPROVED BY THE EXPRESSWAY TRAFFIC OPERATIONS ENGINEER. PERMANENT SHOULDER AND PARTIAL RAMP CLOSURES WILL ONLY BE PERMITTED IF CALLED FOR IN THE PLANS OR AS APPROVED BY THE EXPRESSWAY OPERATIONS ENGINEER.

ALL DIMENSIONS ARE IN INCHES (MILLIMETERS) UNLESS OTHERWISE SHOWN.

MODEL: TC-17 (Sheet) FILE NAME: p:\bchrcp\work\p\DOT\Documents\DOT Office\District 1\ORD Projects\DoDbs and Ltr Contracts\2024\108724\CADD\as\CD\Drawings\108724-sh-01\Sh01.dwg

USER NAME = rodrigo.ledezma	DESIGNED -	REVISED - S.P.B. 12-09
	DRAWN - D.W.S.	REVISED - M.D. 06-13
PLOT SCALE = 0.16666633' / in.	CHECKED -	REVISED - M.D. 01-18
PLOT DATE = 12/11/2023	DATE - 11-96	REVISED - M.D. 10-20

**STATE OF ILLINOIS
DEPARTMENT OF TRANSPORTATION**

**TRAFFIC CONTROL DETAILS FOR FREEWAY
SHOULDER CLOSURES AND PARTIAL RAMP CLOSURES**

SCALE: NONE SHEET 1 OF 1 SHEETS STA. ___+___ TO STA. ___+___

F.A.I. RTE.	SECTION	COUNTY	TOTAL SHEETS	SHEET NO.
**	FAI 290 23 LITTER	*	5	5
TC-17			CONTRACT NO. 62W07	