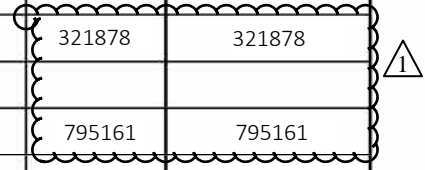


MODEL: Default
 FILE NAME: c:\p\work\pwf\cody.m.johnson@illinois.gov\d08748686162-SOQ.dgn

CODE NO.	ITEM	UNIT	TOTAL QUANTITY	CONSTR. CODE	
				90% FED 10% STATE	
				ROADWAY	RURAL
				0005	
* 66901003	REGULATED SUBSTANCES FINAL CONSTRUCTION REPORT	LSUM	1		1
* 66901006	REGULATED SUBSTANCES MONITORING	CAL DA	8		8
67000400	ENGINEER'S FIELD OFFICE, TYPE A	CAL MD	12		12
67100100	MOBILIZATION	LSUM	1		1
70100205	TRAFFIC CONTROL AND PROTECTION, STANDARD 701401	EACH	1		1
70100420	TRAFFIC CONTROL AND PROTECTION, STANDARD 701411	EACH	8		8
70100825	TRAFFIC CONTROL AND PROTECTION, STANDARD 701456	LSUM	1		1
70103815	TRAFFIC CONTROL SURVEILLANCE	CAL DA	140		140
70107025	CHANGEABLE MESSAGE SIGN	CAL DA	1176		1176
70300100	SHORT TERM PAVEMENT MARKING	FOOT	170470		170470
70300150	SHORTTERM PAVEMENT MARKING REMOVAL	SOFT	321878		321878
70307120	TEMPORARY PAVEMENT MARKING - LINE 4" - TYPE V TAPE	FOOT	795161		795161
70400100	TEMPORARY CONCRETE BARRIER	FOOT	5325		5325
70400200	RELOCATE TEMPORARY CONCRETE BARRIER	FOOT	5325		5325

*= SPECIALTY ITEM



USER NAME = Cody.M.Johnson	DESIGNED -	REVISED -
PLOT SCALE = 100.000'/in.	DRAWN -	REVISED -
PLOT DATE = 12/15/2023	CHECKED -	REVISED -
	DATE -	REVISED -

STATE OF ILLINOIS
 DEPARTMENT OF TRANSPORTATION

SUMMARY OF QUANTITIES

SCALE: SHEET 6 OF 10 SHEETS STA TO STA

F.A.I. RTE. 1	SECTION	COUNTY	TOTAL SHEETS	SHEET NO.
57	(38-6.38-S)RS,BRR,CLV	IROQUOIS	213	13
ILLINOIS FEDERAL AID PROJECT			CONTRACT NO. 66H62	

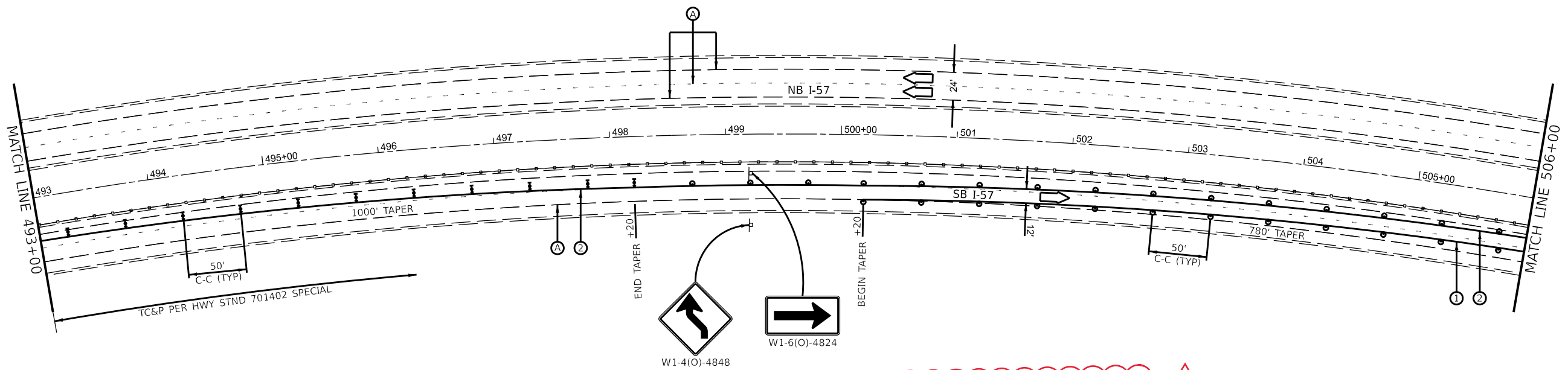
TEMPORARY PAVEMENT MARKINGS (2/2)

SOUTHBOUND LANES																		
LOCATION	LENGTH	PRESTAGE		STAGE 1			STAGE 2			STAGE 3			STAGE 4					
		TMP PVT MK T4 TAPE 4"		SHORT TERM PVT MK REM	TMP PVT MK T4 TAPE 4"		SHORT TERM PVT MK REM	TMP PVT MK T4 TAPE 4"		SHORT TERM PVT MK REM	TMP PVT MK T4 TAPE 4"		SHORT TERM PVT MK REM	TMP PVT MK T4 TAPE 4"		SHORT TERM PVT MK REM		
		WHITE	YELLOW	SQ FT	WHITE	YELLOW	SQ FT	WHITE	YELLOW	SQ FT	WHITE	YELLOW	SQ FT	WHITE	YELLOW	SQ FT		
STATION TO	STATION	FOOT	FOOT	FOOT	SQ FT	FOOT	FOOT	SQ FT	FOOT	FOOT	SQ FT	FOOT	FOOT	SQ FT	FOOT	FOOT	SQ FT	
488+20	TO 500+20	1200	-	1200	400	-	1200	400	-	1200	400	-	1200	400	-	1200	400	
500+20	TO 508+00	780	780	780	520	-	780	260	780	780	520	-	780	260	780	780	520	
508+00	TO 515+00	700	700	-	233	-	700	233	700	700	467	-	700	233	700	700	467	
515+00	TO 522+81 BK	780.7	781	-	260	781	781	521	781	781	521	781	781	521	781	781	521	
522+83	AH TO 551+55 BK	2871.82	2872	-	957	2872	2872	1915	2872	2872	1915	2872	2872	1915	2872	2872	1915	
551+51	AH TO 617+98 BK	6647.04	6648	-	2216	6648	6648	4432	6648	6648	4432	6648	6648	4432	6648	6648	4432	
618+00	AH TO 628+39	1039	1039	-	346	1039	1039	693	1039	1039	693	1039	1039	693	1039	1039	693	
628+39	TO 631+73	334	334	-	111	334	334	223	334	334	223	334	334	223	334	334	223	
631+73	TO 635+52	379	379	-	126	379	379	253	1137	379	505	379	379	253	1137	379	505	
635+52	TO 636+85	133	399	-	133	399	133	177	399	133	177	399	133	177	399	133	177	
636+85	TO 657+05	2020	2020	-	673	2020	2020	1347	2020	2020	1347	2020	2020	1347	2020	2020	1347	
657+05	TO 657+52	47	47	-	16	47	47	31	47	47	31	47	47	31	47	47	31	
657+52	TO 658+52	100	100	-	33	300	100	133	300	100	133	300	100	133	300	100	133	
658+52	TO 663+08	456	456	-	152	456	456	304	1368	456	608	456	456	304	1368	456	608	
663+08	TO 665+07	199	199	-	66	199	199	133	597	199	265	199	199	133	597	199	265	
665+07	TO 667+05	198	198	-	66	198	198	132	198	198	132	198	198	132	198	198	132	
667+05	TO 667+50	45	45	-	15	45	45	30	45	45	30	45	45	30	45	45	30	
667+50	TO 668+54	104.334	314	-	105	105	105	70	105	105	70	105	105	70	105	105	70	
668+54	TO 669+13 BK	58.286	59	-	20	59	59	39	59	59	39	59	59	39	59	59	39	
669+13	AH TO 672+40	327.01	328	-	109	328	328	219	328	328	219	328	328	219	328	328	219	
672+40	TO 673+59	119	119	-	40	119	119	79	119	119	79	119	119	79	119	119	79	
673+59	TO 767+10 BK	9350.95	9351	-	3117	9351	9351	6234	9351	9351	6234	9351	9351	6234	9351	9351	6234	
767+09	AH TO 782+92	1582.67	1583	-	528	1583	1583	1055	1583	1583	1055	1583	1583	1055	1583	1583	1055	
782+92	TO 784+42	149.57	150	-	50	150	150	100	150	150	100	150	150	100	150	150	100	
784+42	TO 784+97	55.43	56	-	19	56	56	37	56	56	37	56	56	37	56	56	37	
784+97	TO 785+70	73	73	-	24	73	73	49	73	73	49	73	73	49	73	73	49	
785+70	TO 786+43	73	73	-	24	73	73	49	73	73	49	73	73	49	219	73	97	
786+43	TO 789+32	289	867	-	289	289	289	193	289	289	193	289	289	193	867	289	385	
789+32	TO 791+00	168	504	-	168	504	168	224	168	168	112	504	168	224	504	168	224	
791+00	TO 810+68	1968	1968	-	656	1968	1968	1312	1968	1968	1312	1968	1968	1312	1968	1968	1312	
810+68	TO 811+57	89	267	-	89	267	89	119	267	89	119	267	89	119	267	89	119	
811+57	TO 817+20	563	1689	-	563	563	563	375	1689	563	751	563	563	375	1689	563	751	
817+20	TO 819+20	200	200	-	67	200	200	133	600	200	267	200	200	133	600	200	267	
819+20	TO 821+20	200	200	-	67	200	200	133	200	200	133	200	200	133	200	200	133	
821+20	TO 822+70	149.74	150	-	50	150	150	100	150	150	100	150	150	100	150	150	100	
822+70	TO 827+13 BK	442.87	443	-	148	443	443	295	443	443	295	443	443	295	443	443	295	
827+12	AH TO 831+19	406.92	407	-	136	407	407	271	407	407	271	407	407	271	407	407	271	
831+19	TO 910+80	7961	7961	-	2654	7961	7961	5307	7961	7961	5307	7961	7961	5307	7961	7961	5307	
910+80	TO 911+43	63	-	-	-	63	63	42	63	63	42	63	63	42	63	63	42	
911+43	TO 911+60	17	-	-	-	17	17	11	17	17	11	17	17	6	-	-	-	
TOTALS			43759	1980	15246	40646	42346	27663	45384	42346	29243	40646	42329	27658	46427	42329	29584	
SHORT TERM PAVT MARKING REM		265053																
TMP PVT MK T4 TAPE 4"		795161																

△ REV. 2/20/2024

MODEL: Default
FILE NAME: c:\pwworking\johnson\rd0874886\0366162_schedules.dgn

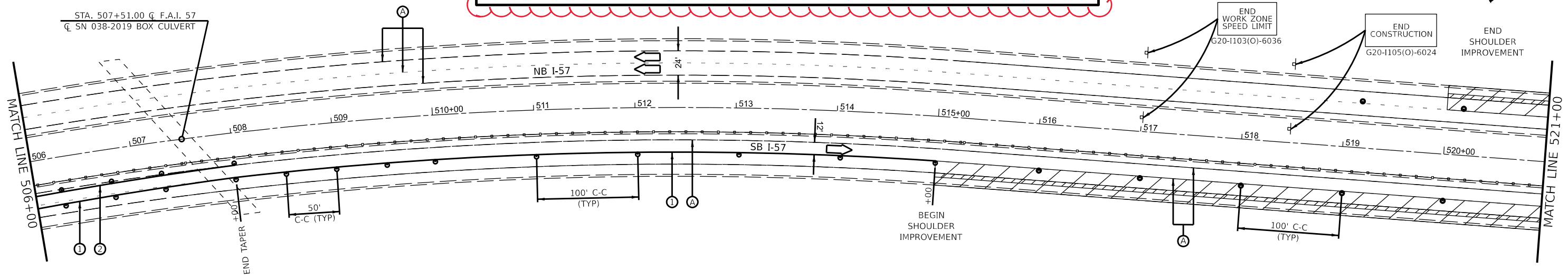
USER NAME = Cody.M.Johnson	DESIGNED -	REVISED -	STATE OF ILLINOIS DEPARTMENT OF TRANSPORTATION	SCHEDULES				F.A.I. RTE.	SECTION	COUNTY	TOTAL SHEETS	SHEET NO.	
PLOT SCALE = \$SCALE\$	DRAWN -	REVISED -		SCALE:	SHEET 1	OF 24	SHEETS	STA.	TO STA.	57	(38-6.38-5)RS,BRR,CLV	213	50
PLOT DATE = 1/19/2024	CHECKED -	REVISED -						CONTRACT NO. 66H62					
	DATE -	REVISED -					ILLINOIS FED. AID PROJECT						



LEGEND

- DIRECTION INDICATOR BARRICADE WITH STEADY BURN MONODIRECTIONAL LIGHT
- DRUMS WITH MONO-DIRECTIONAL STEADY BURNING LIGHTS
- DIRECTION OF TRAFFIC
- ARROW BOARD
- ① TEMPORARY PAVEMENT MARKING TYPE IV TAPE - WHITE
- ② TEMPORARY PAVEMENT MARKING TYPE IV TAPE - YELLOW
- WORK ZONE
- SHOULDER IMPROVEMENT IN PREPARATION OF STAGED TRAFFIC & INTERMITTENT PATCHING
- ③ SHORT TERM PAVEMENT MARKING
- (A) EXISTING PAVEMENT MARKING

NOTES:
 ALTERATIONS TO THE TRAFFIC CONTROL PLAN SHALL BE APPROVED BY THE ENGINEER.
 USE TRAFFIC CONTROL STANDARDS 701400, 701401 FOR PRE-STAGE WORKZONE. USE 701411 & 701456 FOR ALL RAMPS.
 (NOT ALL TRAFFIC CONTROL DEVICES & SIGNING SHOWN) ADJUST RAMP OPENINGS IF REQUIRED.



REV. 2/20/2024 JZ

MODEL: Pre-Stage Sheets
 FILE NAME: P:\Projects\2024\66H62\CD\Drawings\66H62_Plan_PreStage.dwg

USER NAME = Joseph.Zagar	DESIGNED -	REVISED -
DRAWN -	REVISED -	
PLOT SCALE = \$SCALE\$	CHECKED -	REVISED -
PLOT DATE = 2/20/2024	DATE -	REVISED -

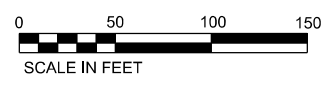
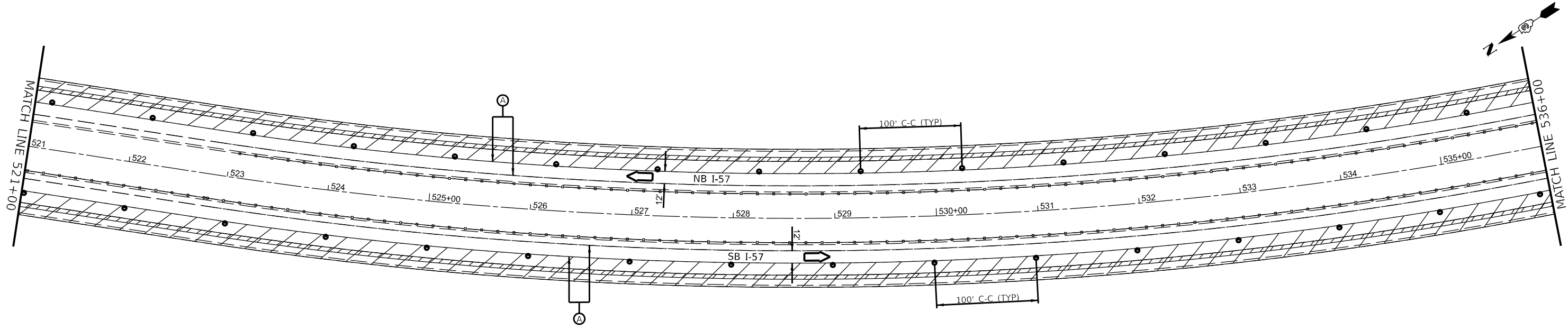
**STATE OF ILLINOIS
DEPARTMENT OF TRANSPORTATION**

PRE-STAGE TRAFFIC CONTROL

SCALE: SHEET 2 OF 17 SHEETS STA. TO STA.

F.A.I. RTE.	SECTION	COUNTY	TOTAL SHEETS	SHEET NO.
57	(38-6,38-5)RS,BRR,CLV	IROQUOIS	213	106
CONTRACT NO. 66H62				
ILLINOIS FED. AID PROJECT				

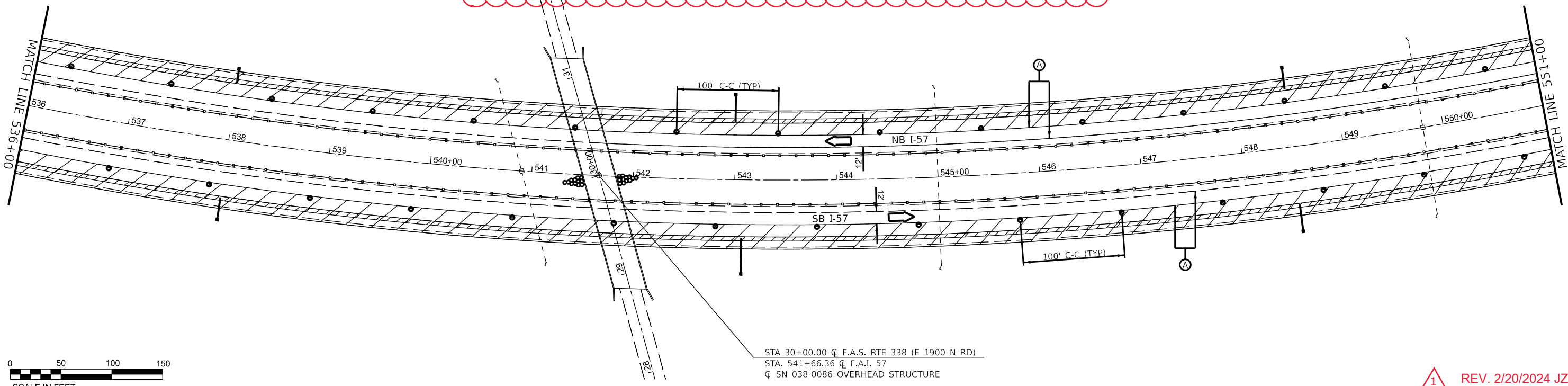
Long Section Number



LEGEND

	DIRECTION INDICATOR BARRICADE WITH STEADY BURN MONODIRECTIONAL LIGHT		① TEMPORARY PAVEMENT MARKING TYPE IV TAPE - WHITE		③ SHORT TERM PAVEMENT MARKING
	DRUMS WITH MONO-DIRECTIONAL STEADY BURNING LIGHTS		② TEMPORARY PAVEMENT MARKING TYPE IV TAPE - YELLOW		Ⓐ EXISTING PAVEMENT MARKING
	DIRECTION OF TRAFFIC		WORK ZONE		
	ARROW BOARD		SHOULDER IMPROVEMENT IN PREPARATION OF STAGED TRAFFIC & INTERMITTENT PATCHING		

NOTES:
 ALTERATIONS TO THE TRAFFIC CONTROL PLAN SHALL BE APPROVED BY THE ENGINEER.
 USE TRAFFIC CONTROL STANDARDS 701400, 701401 FOR PRE-STAGE WORKZONE. USE 701411 & 701456 FOR ALL RAMP.
 (NOT ALL TRAFFIC CONTROL DEVICES & SIGNING SHOWN) ADJUST RAMP OPENINGS IF REQUIRED.



STA 30+00.00 @ F.A.S. RTE 338 (E 1900 N RD)
 STA. 541+66.36 @ F.A.I. 57
 @ SN 038-0086 OVERHEAD STRUCTURE

REV. 2/20/2024 JZ

MODEL - Pre-Stage Sheets
 FILE NAME - I:\Projects\66666666\66666666\66666666\66666666\66666666.dwg

USER NAME = Joseph.Zagar	DESIGNED -	REVISED -
PLOT SCALE = \$\$SCALE\$	DRAWN -	REVISED -
PLOT DATE = 2/20/2024	CHECKED -	REVISED -
	DATE -	REVISED -

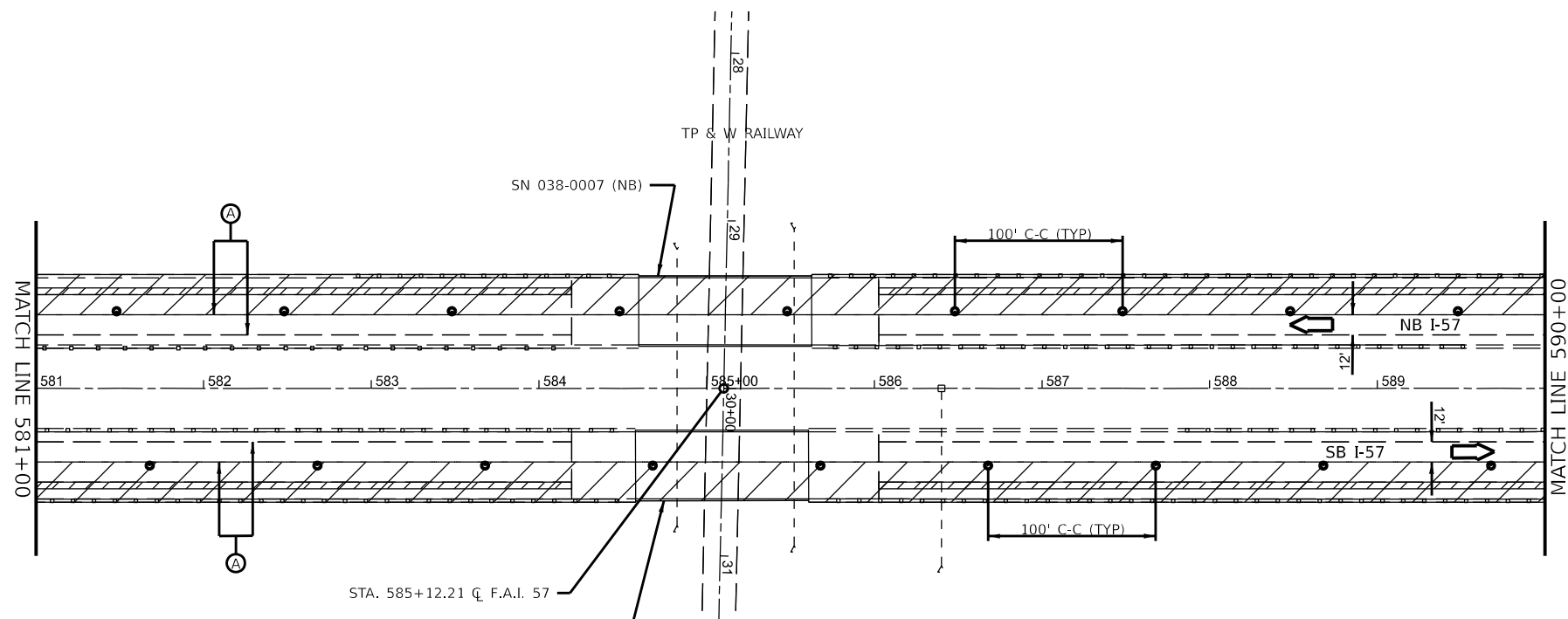
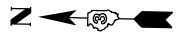
**STATE OF ILLINOIS
 DEPARTMENT OF TRANSPORTATION**

PRE-STAGE TRAFFIC CONTROL

SCALE: SHEET 3 OF 17 SHEETS STA. TO STA.

F.A.I. RTE.	SECTION	COUNTY	TOTAL SHEETS	SHEET NO.
57	(38-6,38-5)RS,BRR,CLV	IROQUOIS	213	107
CONTRACT NO. 66H62				
ILLINOIS FED. AID PROJECT				

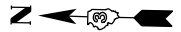
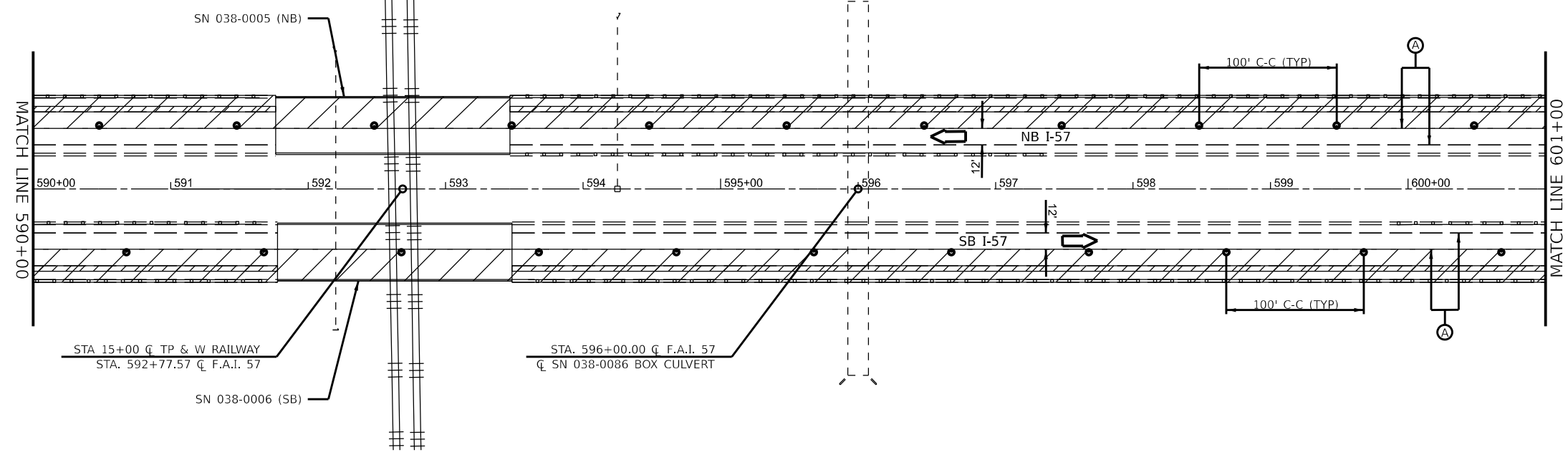
Long Section Number



LEGEND

	DIRECTION INDICATOR BARRICADE WITH STEADY BURN MONODIRECTIONAL LIGHT	①	TEMPORARY PAVEMENT MARKING TYPE IV TAPE - WHITE	③	SHORT TERM PAVEMENT MARKING
	DRUMS WITH MONO-DIRECTIONAL STEADY BURNING LIGHTS	②	TEMPORARY PAVEMENT MARKING TYPE IV TAPE - YELLOW	Ⓐ	EXISTING PAVEMENT MARKING
	DIRECTION OF TRAFFIC		WORK ZONE		
	ARROW BOARD		SHOULDER IMPROVEMENT IN PREPARATION OF STAGED TRAFFIC & INTERMITTENT PATCHING		

NOTES
 TP & W RAILWAY ALTERATIONS TO THE TRAFFIC CONTROL PLAN SHALL BE APPROVED BY THE ENGINEER.
 USE TRAFFIC CONTROL STANDARDS 701400, 701401 FOR PRE-STAGE WORKZONE. USE 701411 & 701456 FOR ALL RAMPS.
 (NOT ALL TRAFFIC CONTROL DEVICES & SIGNING SHOWN) ADJUST RAMP OPENINGS IF REQUIRED.



MODEL: Pre-Stage Sheets
 FILE NAME: P:\GIS\Projects\DOT\Projects\DOT\Office\Billed\3.CRD\Project\DOT\Office\Billed\3.CRD\DOT\CAD\Drawings\66H62_Plan_Prelim.dwg

1 REV. 2/20/2024 JZ

USER NAME = Joseph.Zagar	DESIGNED -	REVISED -
	DRAWN -	REVISED -
PLOT SCALE = \$SCALE\$	CHECKED -	REVISED -
PLOT DATE = 2/20/2024	DATE -	REVISED -

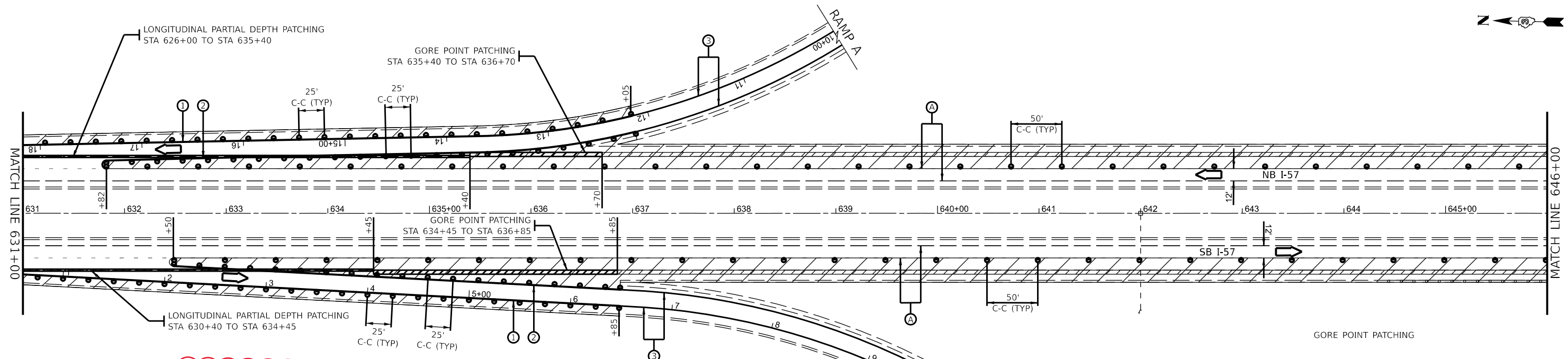
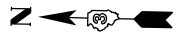
**STATE OF ILLINOIS
DEPARTMENT OF TRANSPORTATION**

PRE-STAGE TRAFFIC CONTROL

F.A.I. RTE.	SECTION	COUNTY	TOTAL SHEETS	SHEET NO.
57	(38-6,38-5)RS,BRR,CLV	IROQUOIS	213	109
CONTRACT NO. 66H62				

SCALE: SHEET 5 OF 17 SHEETS STA. TO STA.

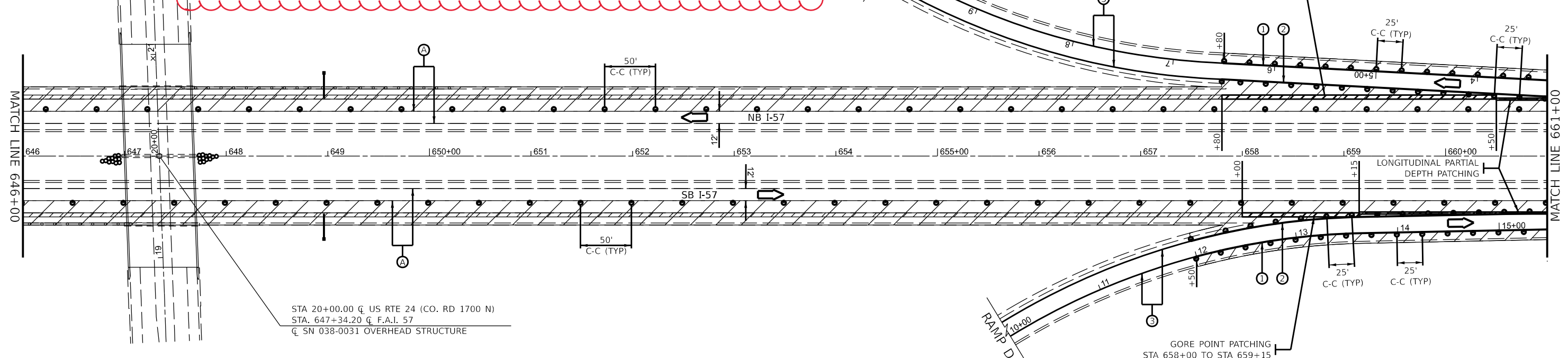
ILLINOIS FED. AID PROJECT Long Section Number



LEGEND

<ul style="list-style-type: none"> DIRECTION INDICATOR BARRICADE WITH STEADY BURN MONODIRECTIONAL LIGHT DRUMS WITH MONO-DIRECTIONAL STEADY BURNING LIGHTS DIRECTION OF TRAFFIC ARROW BOARD 	<ul style="list-style-type: none"> TEMPORARY PAVEMENT MARKING TYPE IV TAPE - WHITE TEMPORARY PAVEMENT MARKING TYPE IV TAPE - YELLOW WORK ZONE SHOULDER IMPROVEMENT IN PREPARATION OF STAGED TRAFFIC & INTERMITTENT PATCHING 	<ul style="list-style-type: none"> SHORT TERM PAVEMENT MARKING EXISTING PAVEMENT MARKING
--	---	--

NOTES:
 ALTERATIONS TO THE TRAFFIC CONTROL PLAN SHALL BE APPROVED BY THE ENGINEER.
 USE TRAFFIC CONTROL STANDARDS 701400, 701401 FOR PRE-STAGE WORKZONE. USE 701411 & 701456 FOR ALL RAMPS.
 (NOT ALL TRAFFIC CONTROL DEVICES & SIGNING SHOWN) ADJUST RAMP OPENINGS IF REQUIRED.



STA 20+00.00 \bar{C} US RTE 24 (CO. RD 1700 N)
 STA. 647+34.20 \bar{C} F.A.I. 57
 \bar{C} SN 038-0031 OVERHEAD STRUCTURE

REV. 2/20/2024 JZ

MODEL: Pre-Stage Sheets
 FILE NAME: P:\038-0031\Drawings\CADD\Drawings\CADD\Drawings\6662_Plan_PreStage.dwg

USER NAME = Joseph.Zagar	DESIGNED -	REVISED -	
DRAWN -	REVISOR -		
PLOT SCALE = \$SCALE\$	CHECKED -	REVISOR -	
PLOT DATE = 2/20/2024	DATE -	REVISOR -	

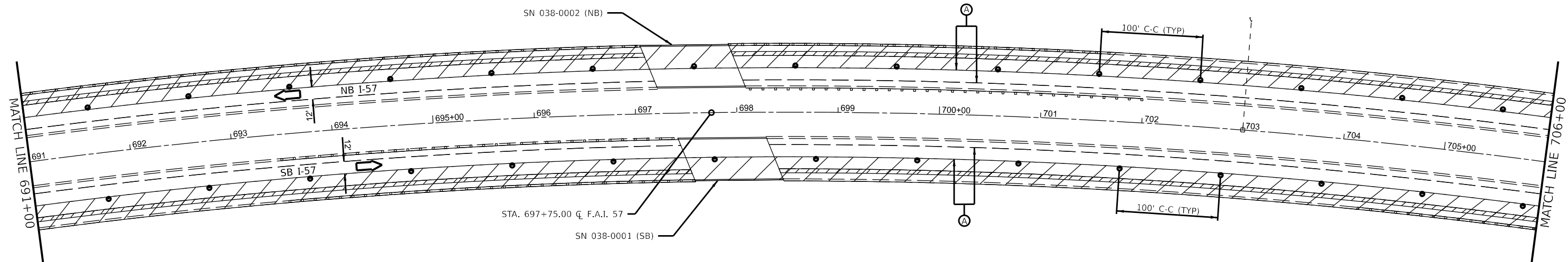
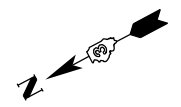
**STATE OF ILLINOIS
 DEPARTMENT OF TRANSPORTATION**

PRE-STAGE TRAFFIC CONTROL

SCALE: SHEET 7 OF 17 SHEETS STA. TO STA.

F.A.I. RTE.	SECTION	COUNTY	TOTAL SHEETS	SHEET NO.
57	(38-6,38-5)RS.BRR.CLV	IROQUOIS	213	111
CONTRACT NO. 66H62				

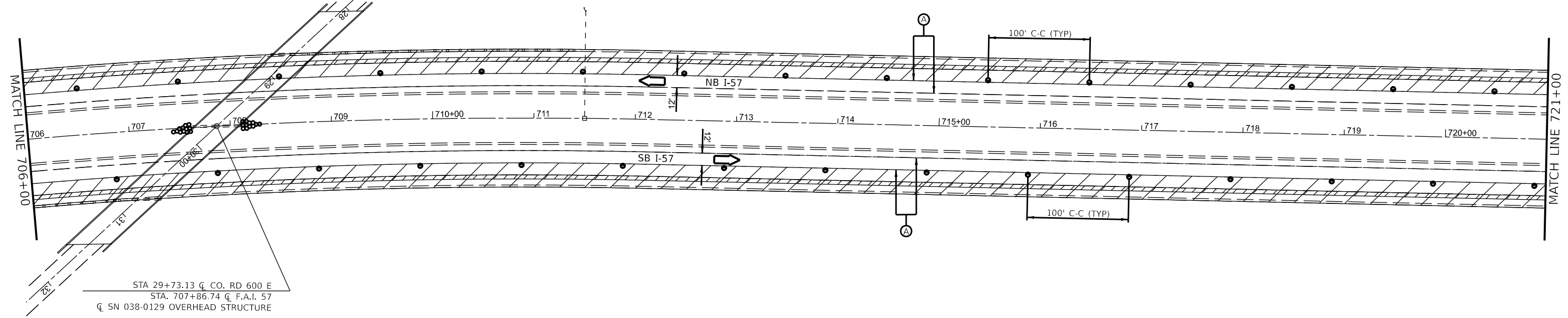
ILLINOIS FED. AID PROJECT
 Long Section Number



LEGEND

<ul style="list-style-type: none"> DIRECTION INDICATOR BARRICADE WITH STEADY BURN MONODIRECTIONAL LIGHT DRUMS WITH MONO-DIRECTIONAL STEADY BURNING LIGHTS DIRECTION OF TRAFFIC ARROW BOARD 	<ul style="list-style-type: none"> ① TEMPORARY PAVEMENT MARKING TYPE IV TAPE - WHITE ② TEMPORARY PAVEMENT MARKING TYPE IV TAPE - YELLOW WORK ZONE SHOULDER IMPROVEMENT IN PREPARATION OF STAGED TRAFFIC & INTERMITTENT PATCHING 	<ul style="list-style-type: none"> ③ SHORT TERM PAVEMENT MARKING Ⓐ EXISTING PAVEMENT MARKING
--	---	--

NOTES:
 ALTERATIONS TO THE TRAFFIC CONTROL PLAN SHALL BE APPROVED BY THE ENGINEER.
 USE TRAFFIC CONTROL STANDARDS 701400, 701401 FOR PRE-STAGE WORKZONE. USE 701411 & 701456 FOR ALL RAMPS.
 (NOT ALL TRAFFIC CONTROL DEVICES & SIGNING SHOWN) ADJUST RAMP OPENINGS IF REQUIRED.



REV. 2/20/2024 JZ

MODEL: Pre-Stage Sheets
 FILE NAME: \\p010000000000\p010000000000\Projects\038\662\CADD\Drawings\662_Plan_Pre-Stage.dwg

USER NAME = Joseph.Zagar	DESIGNED -	REVISED -	
	DRAWN -	REVISED -	
PLOT SCALE = \$SCALE\$	CHECKED -	REVISED -	
PLOT DATE = 2/20/2024	DATE -	REVISED -	

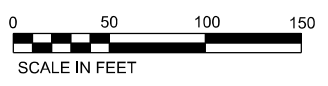
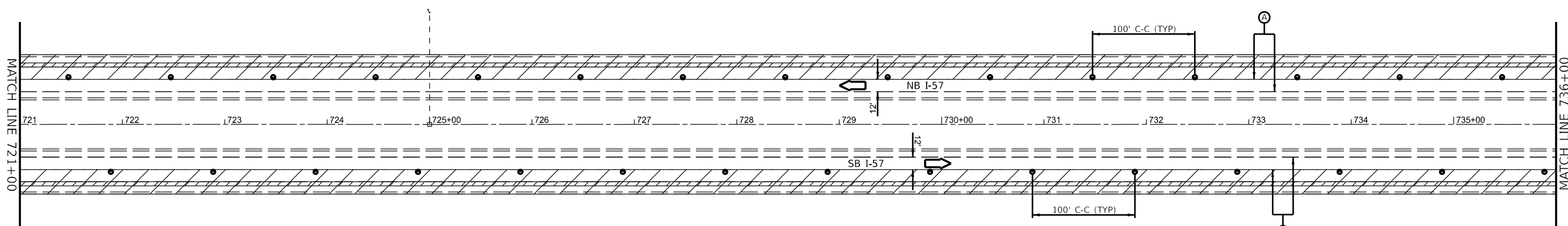
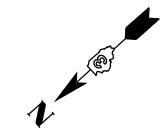
**STATE OF ILLINOIS
DEPARTMENT OF TRANSPORTATION**

PRE-STAGE TRAFFIC CONTROL

SCALE: SHEET 9 OF 17 SHEETS STA. TO STA.

F.A.I. RTE.	SECTION	COUNTY	TOTAL SHEETS	SHEET NO.
57	(38-6,38-5)RS,BRR,CLV	IROQUOIS	213	113
CONTRACT NO. 66H62				
ILLINOIS FED. AID PROJECT				

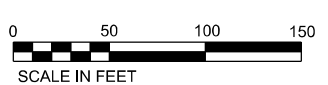
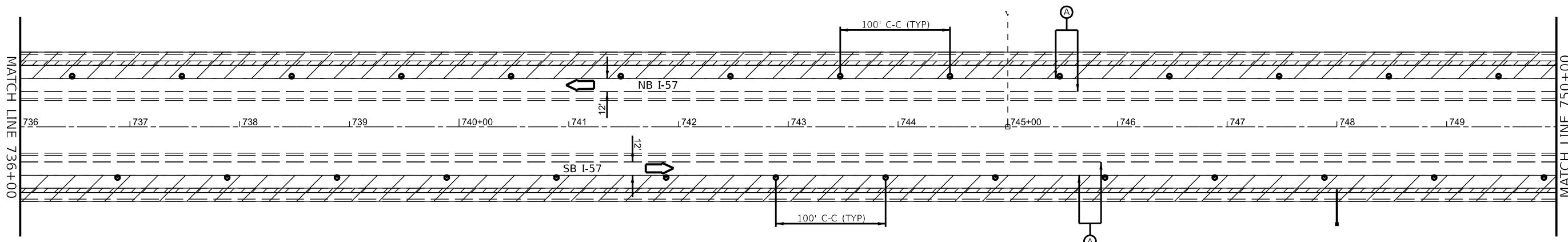
Long Section Number



LEGEND

<ul style="list-style-type: none"> DIRECTION INDICATOR BARRICADE WITH STEADY BURN MONODIRECTIONAL LIGHT DRUMS WITH MONO-DIRECTIONAL STEADY BURNING LIGHTS DIRECTION OF TRAFFIC ARROW BOARD 	<ul style="list-style-type: none"> ① TEMPORARY PAVEMENT MARKING TYPE IV TAPE - WHITE ② TEMPORARY PAVEMENT MARKING TYPE IV TAPE - YELLOW WORK ZONE SHOULDER IMPROVEMENT IN PREPARATION OF STAGED TRAFFIC & INTERMITTENT PATCHING 	<ul style="list-style-type: none"> ③ SHORT TERM PAVEMENT MARKING Ⓐ EXISTING PAVEMENT MARKING
--	---	--

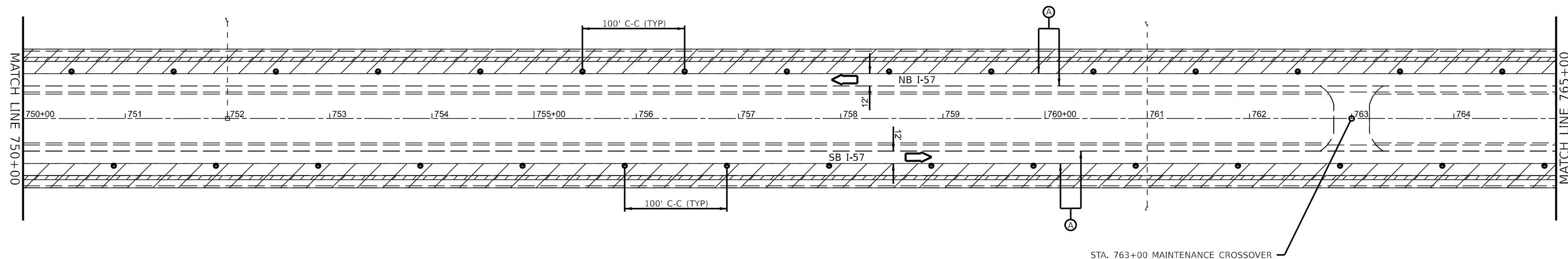
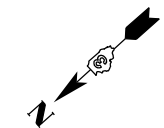
NOTES:
 ALTERATIONS TO THE TRAFFIC CONTROL PLAN SHALL BE APPROVED BY THE ENGINEER.
 USE TRAFFIC CONTROL STANDARDS 701400, 701401 FOR PRE-STAGE WORKZONE. USE 701411 & 701456 FOR ALL RAMPS.
 (NOT ALL TRAFFIC CONTROL DEVICES & SIGNING SHOWN) ADJUST RAMP OPENINGS IF REQUIRED.



MODEL - Pre-Stage Sheets
 FILE NAME - \\p000000000000\p000000000000\p000000000000\CAD\Drawings\66H62_Plan_Pre-Stage.dgn

REV. 2/20/2024 JZ

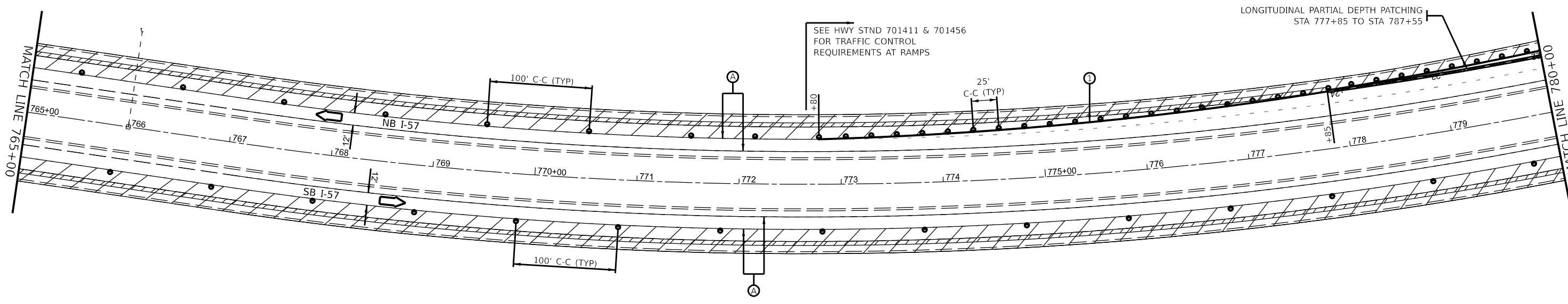
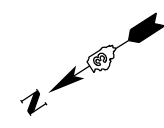
	USER NAME = Joseph.Zagar	DESIGNED -	REVISED -	STATE OF ILLINOIS DEPARTMENT OF TRANSPORTATION	PRE-STAGE TRAFFIC CONTROL			F.A.I. RTE.	SECTION	COUNTY	TOTAL SHEETS	SHEET NO.		
		DRAWN -	REVISED -		SCALE:	SHEET 10	OF 17	SHEETS	STA.	TO STA.	ILINOIS	FED. AID PROJECT	213	114
	PLOT SCALE = \$\$SCALE\$	CHECKED -	REVISED -		CONTRACT NO. 66H62									
	PLOT DATE = 2/20/2024	DATE -	REVISED -		Long Section Number									



LEGEND

	DIRECTION INDICATOR BARRICADE WITH STEADY BURN MONODIRECTIONAL LIGHT		TEMPORARY PAVEMENT MARKING TYPE IV TAPE - WHITE		SHORT TERM PAVEMENT MARKING
	DRUMS WITH MONO-DIRECTIONAL STEADY BURNING LIGHTS		TEMPORARY PAVEMENT MARKING TYPE IV TAPE - YELLOW		EXISTING PAVEMENT MARKING
	DIRECTION OF TRAFFIC		WORK ZONE		
	ARROW BOARD		SHOULDER IMPROVEMENT IN PREPARATION OF STAGED TRAFFIC & INTERMITTENT PATCHING		

NOTES:
 ALTERATIONS TO THE TRAFFIC CONTROL PLAN SHALL BE APPROVED BY THE ENGINEER.
 USE TRAFFIC CONTROL STANDARDS 701400, 701401 FOR PRE-STAGE WORKZONE. USE 701411 & 701456 FOR ALL RAMPS.
 (NOT ALL TRAFFIC CONTROL DEVICES & SIGNING SHOWN) ADJUST RAMP OPENINGS IF REQUIRED.



REV. 2/20/2024 JZ

MODEL: Pre-Stage Sheets
 FILE NAME: P:\GIS\Projects\DOT\Office\Bridges\I-57\CD\Drawings\66H62_Plan_PreStage.dwg

USER NAME = Joseph.Zagar	DESIGNED -	REVISED -
DRAWN -	REVISIONS -	
PLOT SCALE = \$SCALE\$	CHECKED -	REVISIONS -
PLOT DATE = 2/20/2024	DATE -	REVISIONS -

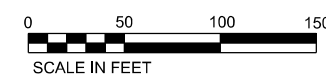
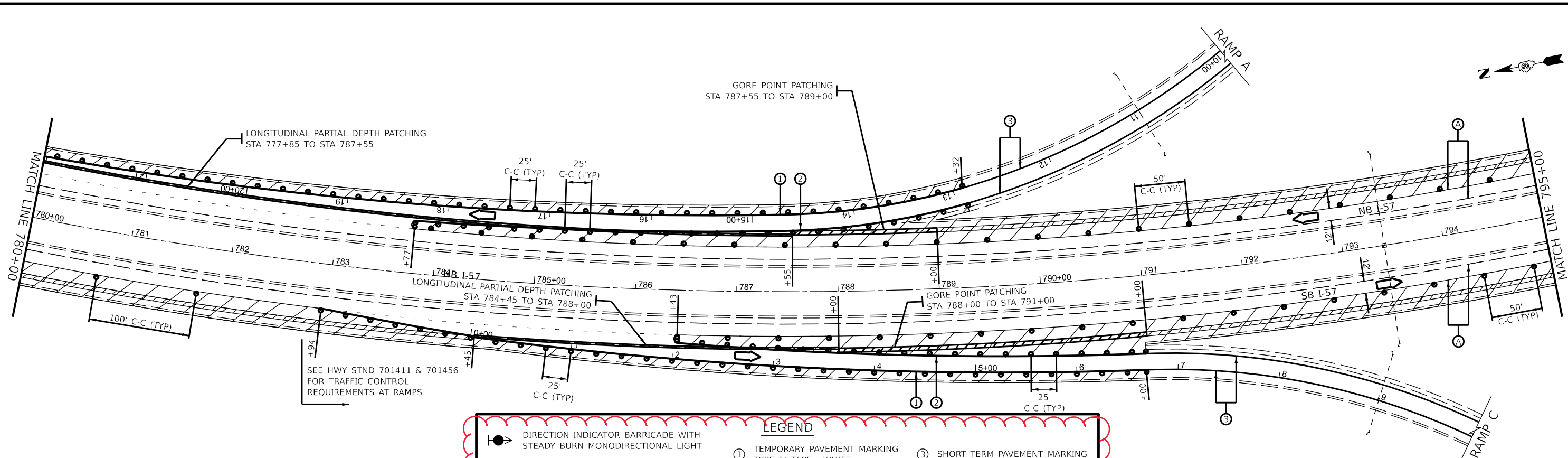
**STATE OF ILLINOIS
DEPARTMENT OF TRANSPORTATION**

PRE-STAGE TRAFFIC CONTROL

SCALE: SHEET 11 OF 17 SHEETS STA. TO STA.

F.A.I. RTE.	SECTION	COUNTY	TOTAL SHEETS	SHEET NO.
57	(38-6,38-5)RS,BRR,CLV	IROQUOIS	213	115
CONTRACT NO. 66H62				
ILLINOIS FED. AID PROJECT				

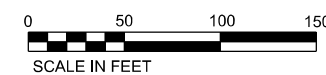
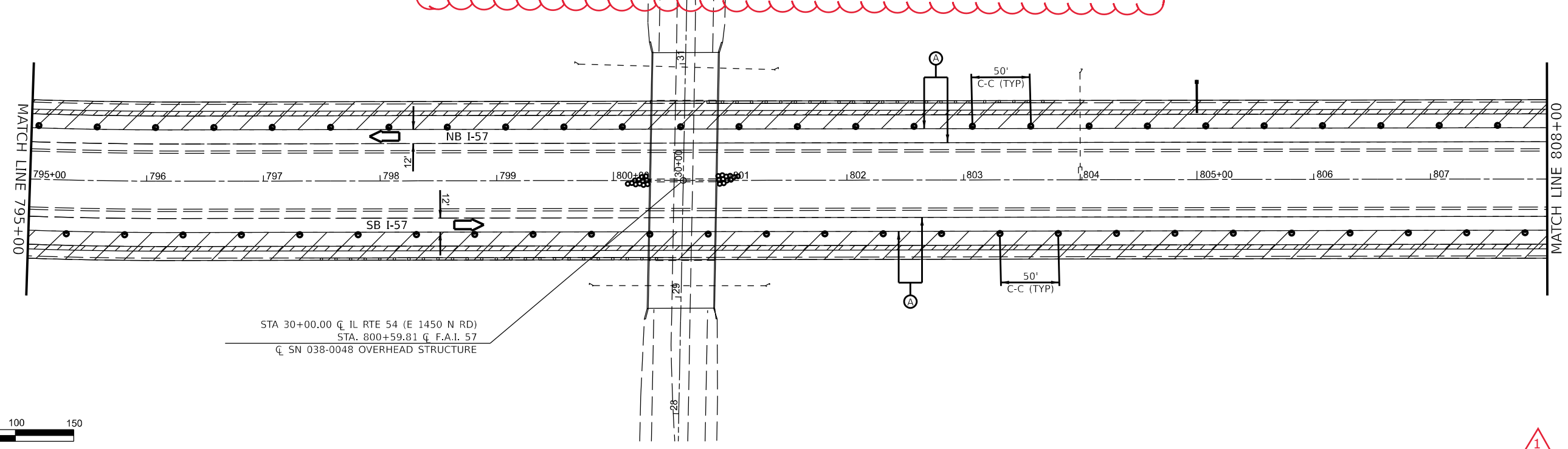
Long Section Number



LEGEND

	DIRECTION INDICATOR BARRICADE WITH STEADY BURN MONODIRECTIONAL LIGHT		① TEMPORARY PAVEMENT MARKING TYPE IV TAPE - WHITE		③ SHORT TERM PAVEMENT MARKING
	DRUMS WITH MONO-DIRECTIONAL STEADY BURNING LIGHTS		② TEMPORARY PAVEMENT MARKING TYPE IV TAPE - YELLOW		A EXISTING PAVEMENT MARKING
	DIRECTION OF TRAFFIC		WORK ZONE		
	ARROW BOARD		SHOULDER IMPROVEMENT IN PREPARATION OF STAGED TRAFFIC & INTERMITTENT PATCHING		

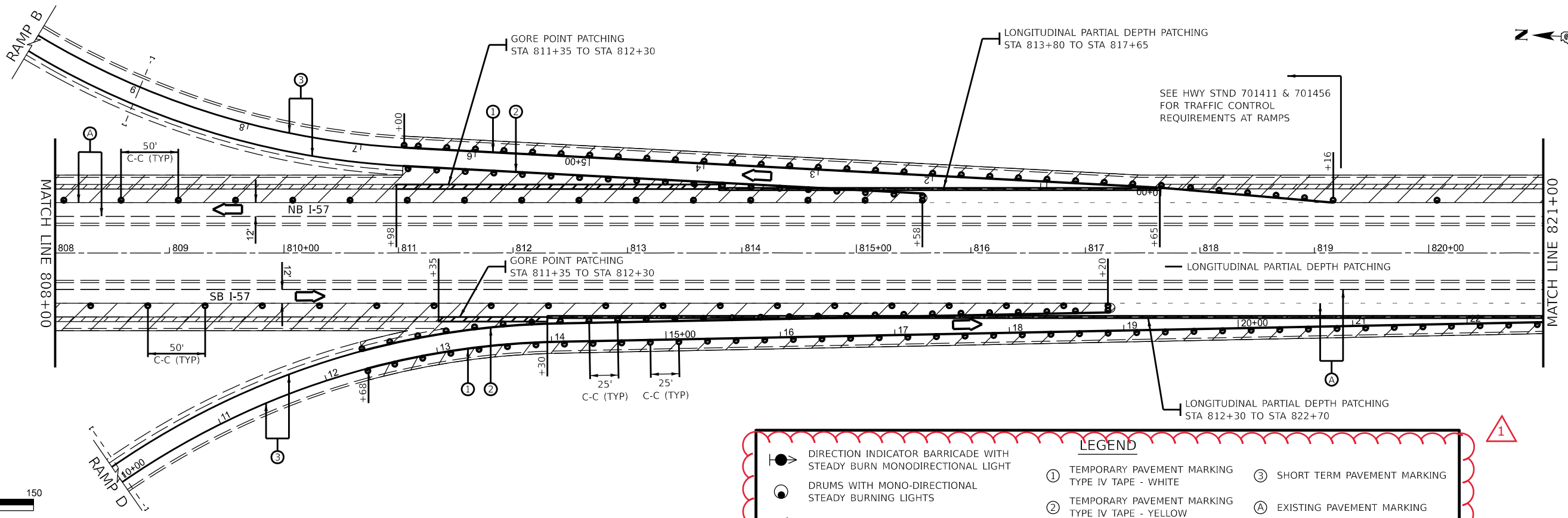
NOTES:
 ALTERATIONS TO THE TRAFFIC CONTROL PLAN SHALL BE APPROVED BY THE ENGINEER.
 USE TRAFFIC CONTROL STANDARDS 701400, 701401 FOR PRE-STAGE WORKZONE. USE 701411 & 701456 FOR ALL RAMPS.
 (NOT ALL TRAFFIC CONTROL DEVICES & SIGNING SHOWN) ADJUST RAMP OPENINGS IF REQUIRED.



REV. 2/20/2024 JZ

MODEL: Pre-Stage Sheets
 FILE NAME: P:\038-0048\Drawings\CADD\Drawings\CADD\Drawings\66H62_Plan_PreStage.dgn

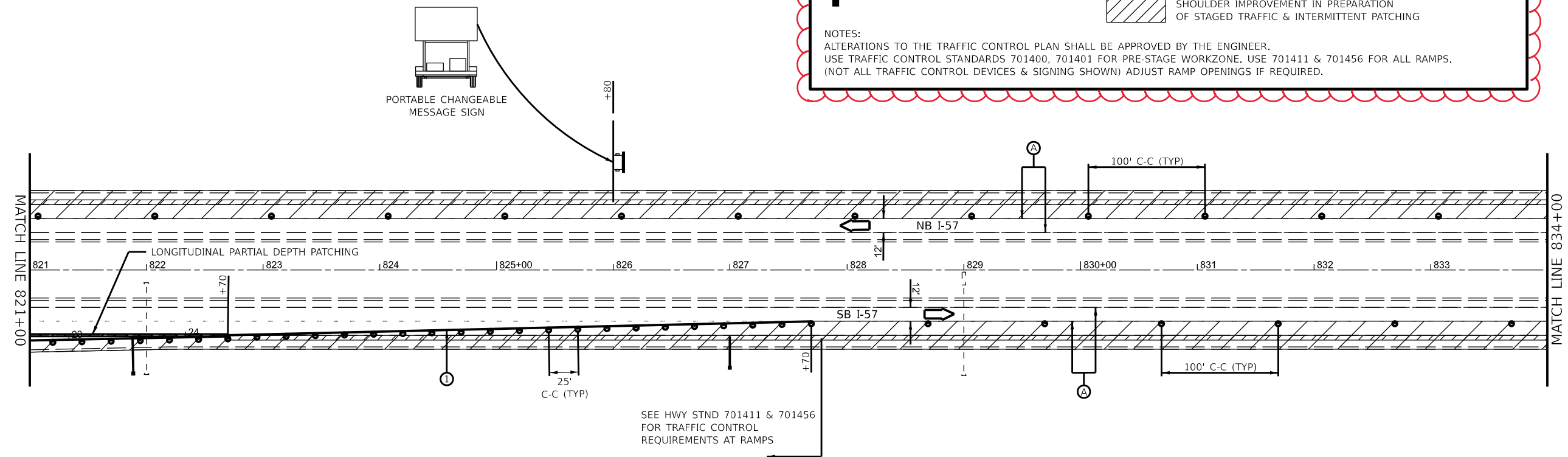
USER NAME = Joseph.Zagar	DESIGNED -	REVISED -	STATE OF ILLINOIS DEPARTMENT OF TRANSPORTATION	PRE-STAGE TRAFFIC CONTROL			F.A.I. RTE.	SECTION	COUNTY	TOTAL SHEETS	SHEET NO.	
DRAWN -	REVISED -	REVISED -		SCALE:	SHEET 12	OF 17 SHEETS	STA.	TO STA.	ILLINOIS	FED. AID PROJECT	213	116
PLOT SCALE = \$SCALE\$	CHECKED -	REVISED -									CONTRACT NO. 66H62	
PLOT DATE = 2/20/2024	DATE -	REVISED -									Long Section Number	



LEGEND

- DIRECTION INDICATOR BARRICADE WITH STEADY BURN MONODIRECTIONAL LIGHT
- DRUMS WITH MONO-DIRECTIONAL STEADY BURNING LIGHTS
- DIRECTION OF TRAFFIC
- ARROW BOARD
- ① TEMPORARY PAVEMENT MARKING TYPE IV TAPE - WHITE
- ② TEMPORARY PAVEMENT MARKING TYPE IV TAPE - YELLOW
- ③ SHORT TERM PAVEMENT MARKING
- ④ EXISTING PAVEMENT MARKING
- WORK ZONE
- SHOULDER IMPROVEMENT IN PREPARATION OF STAGED TRAFFIC & INTERMITTENT PATCHING

NOTES:
 ALTERATIONS TO THE TRAFFIC CONTROL PLAN SHALL BE APPROVED BY THE ENGINEER.
 USE TRAFFIC CONTROL STANDARDS 701400, 701401 FOR PRE-STAGE WORKZONE. USE 701411 & 701456 FOR ALL RAMPS.
 (NOT ALL TRAFFIC CONTROL DEVICES & SIGNING SHOWN) ADJUST RAMP OPENINGS IF REQUIRED.



MODEL: Pre-Stage Sheets
 FILE NAME: I:\Projects\2024\66H62\CAD\Drawings\66H62_Plan_PreStage.dwg

REV. 2/20/2024 JZ

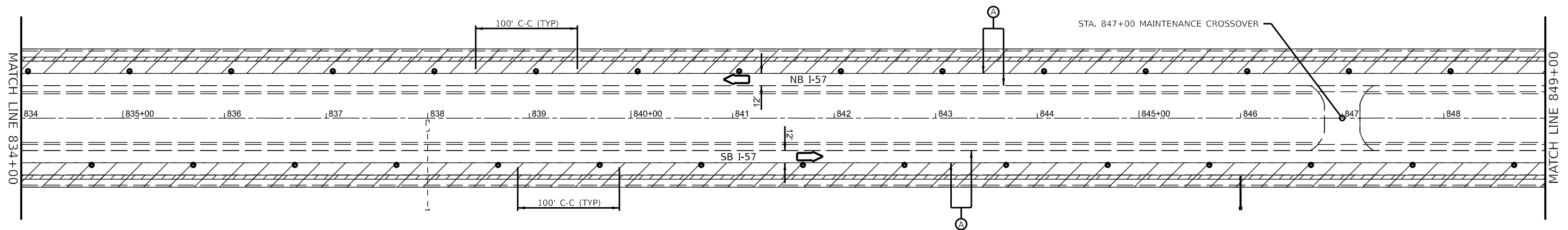
USER NAME = Joseph.Zagar	DESIGNED -	REVISED -
DRAWN -	REVISED -	
PLOT SCALE = \$SCALE\$	CHECKED -	REVISED -
PLOT DATE = 2/20/2024	DATE -	REVISED -

**STATE OF ILLINOIS
DEPARTMENT OF TRANSPORTATION**

PRE-STAGE TRAFFIC CONTROL			
SCALE:	SHEET 13	OF 17	SHEETS
	STA.		TO STA.

F.A.I. RTE.	SECTION	COUNTY	TOTAL SHEETS	SHEET NO.
57	(38-6,38-5)RS,BRR,CLV	IROQUOIS	213	117
CONTRACT NO. 66H62				
ILLINOIS FED. AID PROJECT				

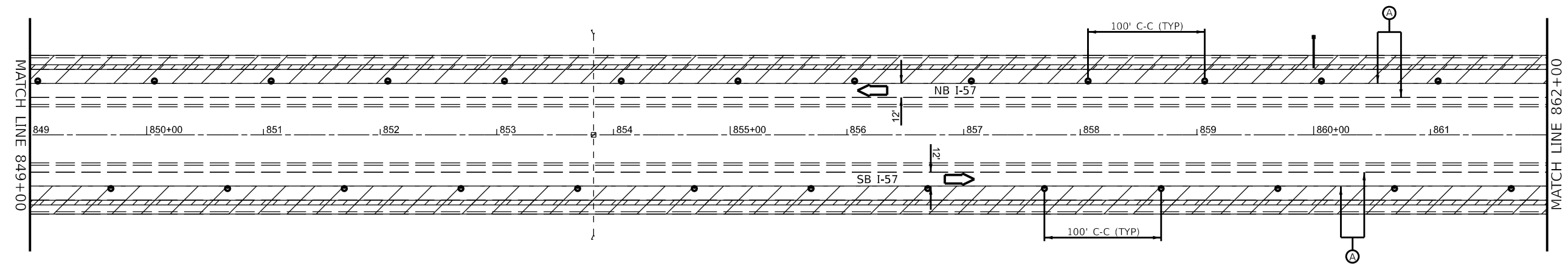
Long Section Number



LEGEND

<ul style="list-style-type: none"> DIRECTION INDICATOR BARRICADE WITH STEADY BURN MONODIRECTIONAL LIGHT DRUMS WITH MONO-DIRECTIONAL STEADY BURNING LIGHTS DIRECTION OF TRAFFIC ARROW BOARD 	<ul style="list-style-type: none"> ① TEMPORARY PAVEMENT MARKING TYPE IV TAPE - WHITE ② TEMPORARY PAVEMENT MARKING TYPE IV TAPE - YELLOW WORK ZONE SHOULDER IMPROVEMENT IN PREPARATION OF STAGED TRAFFIC & INTERMITTENT PATCHING 	<ul style="list-style-type: none"> ③ SHORT TERM PAVEMENT MARKING Ⓐ EXISTING PAVEMENT MARKING
--	---	--

NOTES:
 ALTERATIONS TO THE TRAFFIC CONTROL PLAN SHALL BE APPROVED BY THE ENGINEER.
 USE TRAFFIC CONTROL STANDARDS 701400, 701401 FOR PRE-STAGE WORKZONE. USE 701411 & 701456 FOR ALL RAMPS.
 (NOT ALL TRAFFIC CONTROL DEVICES & SIGNING SHOWN) ADJUST RAMP OPENINGS IF REQUIRED.



REV. 2/20/2024 JZ

MODEL: Pre-Stage Sheets
 FILE NAME: P:\Work\Projects\2024\66H62\CAD\Drawings\66H62_Plan_PreStage.dwg

USER NAME = Joseph.Zagar	DESIGNED -	REVISED -	
DRAWN -	REVISOR -		
PLOT SCALE = \$SCALE\$	CHECKED -	REVISED -	
PLOT DATE = 2/20/2024	DATE -	REVISED -	

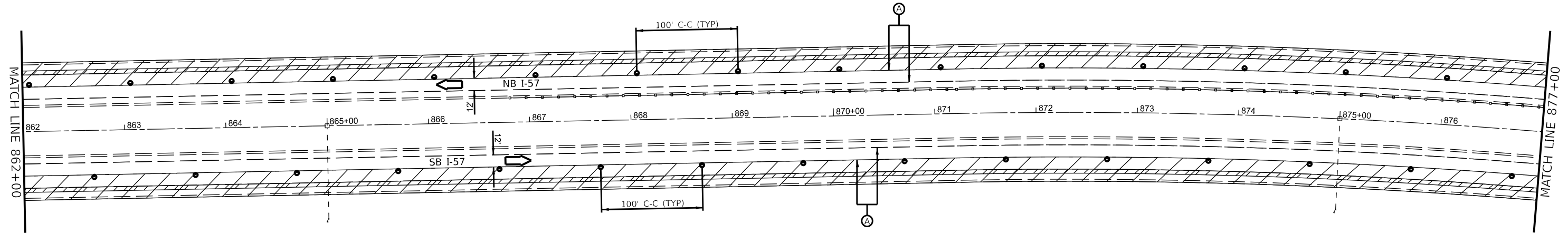
**STATE OF ILLINOIS
DEPARTMENT OF TRANSPORTATION**

PRE-STAGE TRAFFIC CONTROL

SCALE: SHEET 14 OF 17 SHEETS STA. TO STA.

F.A.I. RTE.	SECTION	COUNTY	TOTAL SHEETS	SHEET NO.
57	(38-6,38-5)RS,BRR,CLV	IROQUOIS	213	118
CONTRACT NO. 66H62				
ILLINOIS FED. AID PROJECT				

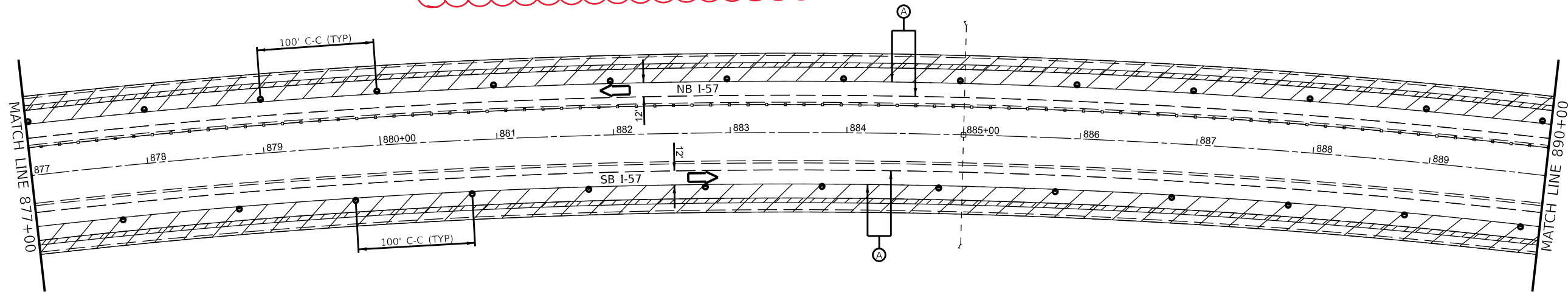
Long Section Number



LEGEND

<ul style="list-style-type: none"> DIRECTION INDICATOR BARRICADE WITH STEADY BURN MONODIRECTIONAL LIGHT DRUMS WITH MONO-DIRECTIONAL STEADY BURNING LIGHTS DIRECTION OF TRAFFIC ARROW BOARD 	<ul style="list-style-type: none"> ① TEMPORARY PAVEMENT MARKING TYPE IV TAPE - WHITE ② TEMPORARY PAVEMENT MARKING TYPE IV TAPE - YELLOW WORK ZONE SHOULDER IMPROVEMENT IN PREPARATION OF STAGED TRAFFIC & INTERMITTENT PATCHING 	<ul style="list-style-type: none"> ③ SHORT TERM PAVEMENT MARKING Ⓐ EXISTING PAVEMENT MARKING
--	---	--

NOTES:
 ALTERATIONS TO THE TRAFFIC CONTROL PLAN SHALL BE APPROVED BY THE ENGINEER.
 USE TRAFFIC CONTROL STANDARDS 701400, 701401 FOR PRE-STAGE WORKZONE. USE 701411 & 701456 FOR ALL RAMPS.
 (NOT ALL TRAFFIC CONTROL DEVICES & SIGNING SHOWN) ADJUST RAMP OPENINGS IF REQUIRED.



REV. 2/20/2024 JZ

MODEL: Pre-Stage Sheets
 FILE NAME: P:\GIS\Projects\DOT\Documents\DOT Office\Bridges\CADD\Bridges\66H62_Plan_Pre-Stage.dgn

USER NAME = Joseph.Zagar	DESIGNED -	REVISED -	
	DRAWN -	REVISED -	
PLOT SCALE = \$SCALE\$	CHECKED -	REVISED -	
PLOT DATE = 2/20/2024	DATE -	REVISED -	

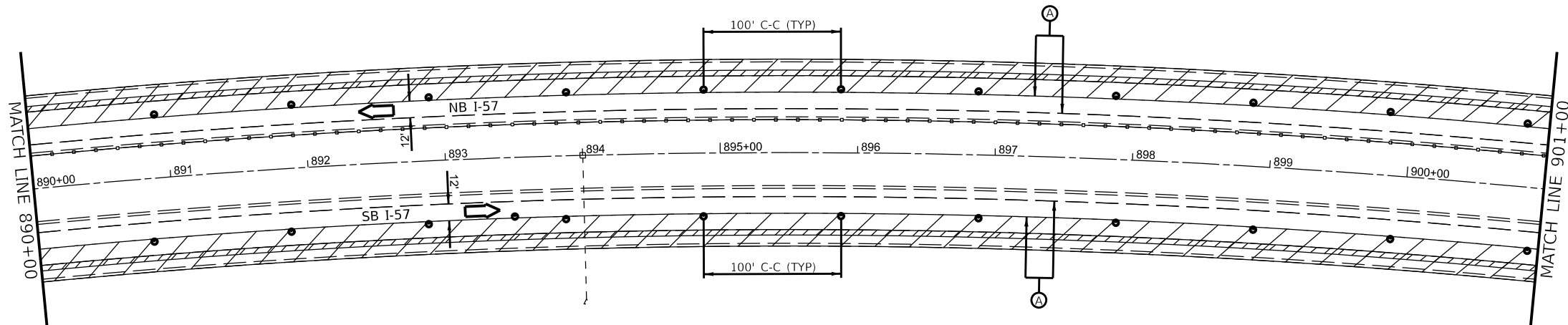
**STATE OF ILLINOIS
DEPARTMENT OF TRANSPORTATION**

PRE-STAGE TRAFFIC CONTROL

SCALE: SHEET 15 OF 17 SHEETS STA. TO STA.

F.A.I. RTE.	SECTION	COUNTY	TOTAL SHEETS	SHEET NO.
57	(38-6,38-5)RS.BRR.CLV	IROQUOIS	213	119
CONTRACT NO. 66H62				
ILLINOIS FED. AID PROJECT				

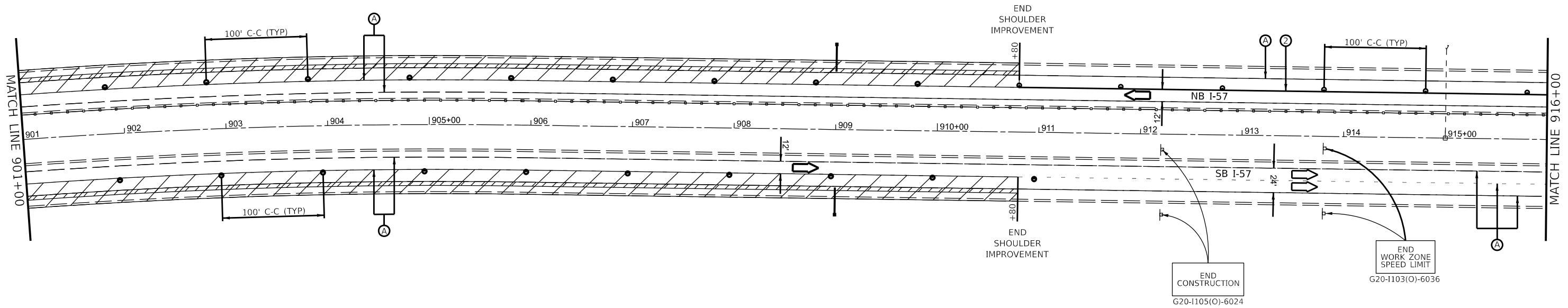
Long Section Number



LEGEND

	DIRECTION INDICATOR BARRICADE WITH STEADY BURN MONODIRECTIONAL LIGHT		① TEMPORARY PAVEMENT MARKING TYPE IV TAPE - WHITE		③ SHORT TERM PAVEMENT MARKING
	DRUMS WITH MONO-DIRECTIONAL STEADY BURNING LIGHTS		② TEMPORARY PAVEMENT MARKING TYPE IV TAPE - YELLOW		Ⓐ EXISTING PAVEMENT MARKING
	DIRECTION OF TRAFFIC		WORK ZONE		
	ARROW BOARD		SHOULDER IMPROVEMENT IN PREPARATION OF STAGED TRAFFIC & INTERMITTENT PATCHING		

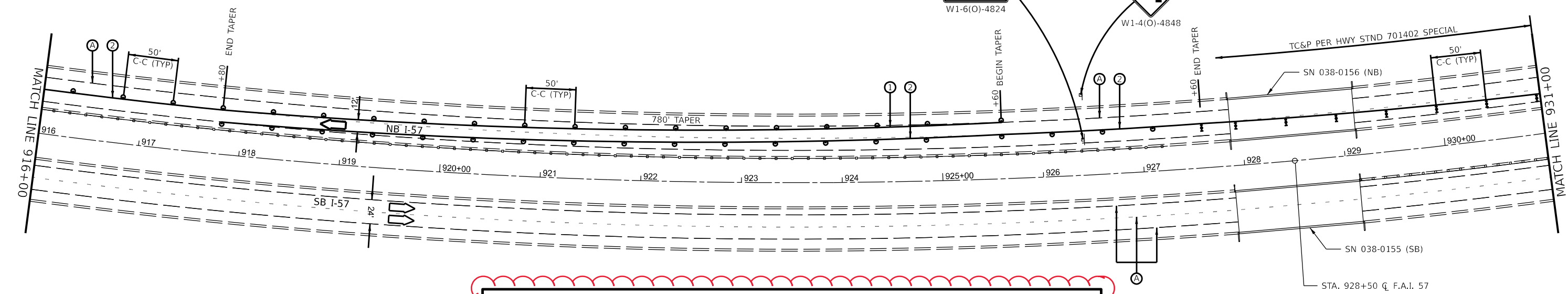
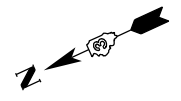
NOTES:
 ALTERATIONS TO THE TRAFFIC CONTROL PLAN SHALL BE APPROVED BY THE ENGINEER.
 USE TRAFFIC CONTROL STANDARDS 701400, 701401 FOR PRE-STAGE WORKZONE. USE 701411 & 701456 FOR ALL RAMPS.
 (NOT ALL TRAFFIC CONTROL DEVICES & SIGNING SHOWN) ADJUST RAMP OPENINGS IF REQUIRED.



MODEL: Pre-Stage Sheets
 FILE NAME: P:\Projects\2024\66H62\66H62-CAD\Drawings\66H62-Plan-PreStage.dwg

REV. 2/20/2024 JZ

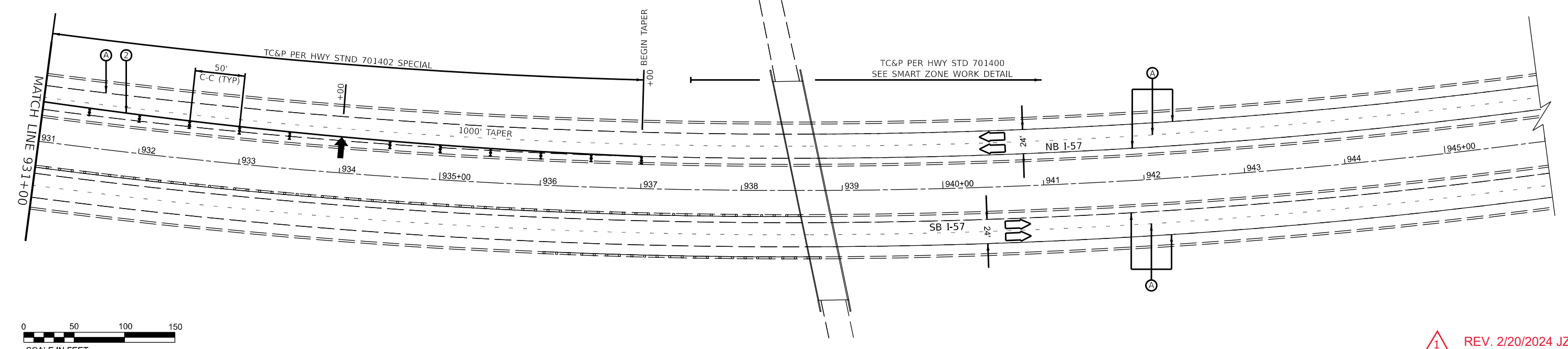
	USER NAME = Joseph.Zagar	DESIGNED -	REVISED -	STATE OF ILLINOIS DEPARTMENT OF TRANSPORTATION	PRE-STAGE TRAFFIC CONTROL	F.A.I. RTE. 57	SECTION (38-6,38-5)RS,BRR,CLV	COUNTY IROQUOIS	TOTAL SHEETS 213	SHEET NO. 120
	PLOT SCALE = \$SCALE\$	CHECKED -	REVISED -			CONTRACT NO. 66H62				
	PLOT DATE = 2/20/2024	DATE -	REVISED -		SCALE:	SHEET 16	OF 17	SHEETS	STA.	TO STA.
ILLINOIS FED. AID PROJECT Long Section Number										



LEGEND

	DIRECTION INDICATOR BARRICADE WITH STEADY BURN MONODIRECTIONAL LIGHT		① TEMPORARY PAVEMENT MARKING TYPE IV TAPE - WHITE		③ SHORT TERM PAVEMENT MARKING
	DRUMS WITH MONO-DIRECTIONAL STEADY BURNING LIGHTS		② TEMPORARY PAVEMENT MARKING TYPE IV TAPE - YELLOW		Ⓐ EXISTING PAVEMENT MARKING
	DIRECTION OF TRAFFIC		WORK ZONE		
	ARROW BOARD		SHOULDER IMPROVEMENT IN PREPARATION OF STAGED TRAFFIC & INTERMITTENT PATCHING		

NOTES:
 ALTERATIONS TO THE TRAFFIC CONTROL PLAN SHALL BE APPROVED BY THE ENGINEER.
 USE TRAFFIC CONTROL STANDARDS 701400, 701401 FOR PRE-STAGE WORKZONE. USE 701411 & 701456 FOR ALL RAMP.
 (NOT ALL TRAFFIC CONTROL DEVICES & SIGNING SHOWN) ADJUST RAMP OPENINGS IF REQUIRED.



REV. 2/20/2024 JZ

MODEL: Pre-Stage Sheets
 FILE NAME: P:\GIS\Projects\I-57\I-57-Pre-Stage\I-57-Pre-Stage.dwg

USER NAME = Joseph.Zagar	DESIGNED -	REVISED -
DRAWN -	REVISOR -	
PLOT SCALE = \$SCALE\$	CHECKED -	REVISED -
PLOT DATE = 2/20/2024	DATE -	REVISED -

**STATE OF ILLINOIS
DEPARTMENT OF TRANSPORTATION**

PRE-STAGE TRAFFIC CONTROL

SCALE: SHEET 17 OF 17 SHEETS STA. TO STA.

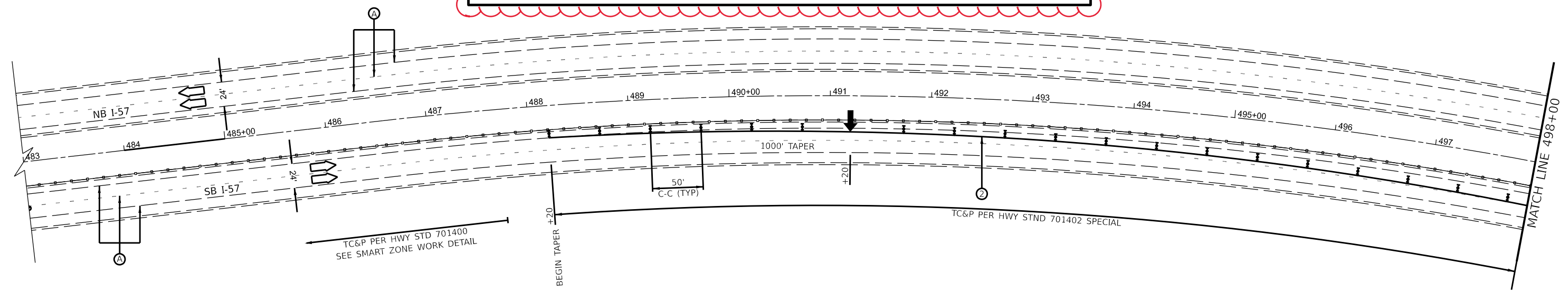
F.A.I. RTE.	SECTION	COUNTY	TOTAL SHEETS	SHEET NO.
57	(38-6,38-5)RS,BRR,CLV	IROQUOIS	213	121
CONTRACT NO. 66H62				
ILLINOIS FED. AID PROJECT				

Long Section Number

LEGEND

- DIRECTION INDICATOR BARRICADE WITH STEADY BURN MONODIRECTIONAL LIGHT
- DRUMS WITH MONO-DIRECTIONAL STEADY BURNING LIGHTS
- DIRECTION OF TRAFFIC
- IMPACT ATTENUATOR, TEMPORARY (NON-REDIRECTIVE TL 3)
- TEMPORARY CONCRETE BARRIER
- ARROW BOARD
- CLASS A PATCHING UNDER STRUCTURES
- WORK ZONE
- (A) EXISTING PAVEMENT MARKING
- (1) TEMPORARY PAVEMENT MARKING TYPE IV TAPE - WHITE
- (2) TEMPORARY PAVEMENT MARKING TYPE IV TAPE - YELLOW
- (3) SHORT TERM PAVEMENT MARKING

NOTES:
 ALTERATIONS TO THE TRAFFIC CONTROL PLAN SHALL BE APPROVED BY THE ENGINEER.
 USE TRAFFIC CONTROL STANDARD 701400 & 701401/701402 FOR STAGE 1 WORKZONE. USE 701411 & 701456 FOR ALL RAMP.
 (NOT ALL TRAFFIC CONTROL DEVICES & SIGNING SHOWN) ADJUST RAMP OPENINGS IF REQUIRED.



REV. 2/20/2024 JZ

MODEL Stage 1 Sheets
 FILE NAME: \\p0109248\pwworkshare\pwworkshare\pwworkshare\DOT\Office\District 3\CRD\Project\666\666\CADD\Drawings\66662_Plan_Stage 1

USER NAME = Joseph.Zagar	DESIGNED -	REVISED -
PLOT SCALE = \$\$SCALE\$	DRAWN -	REVISED -
PLOT DATE = 2/20/2024	CHECKED -	REVISED -
	DATE -	REVISED -

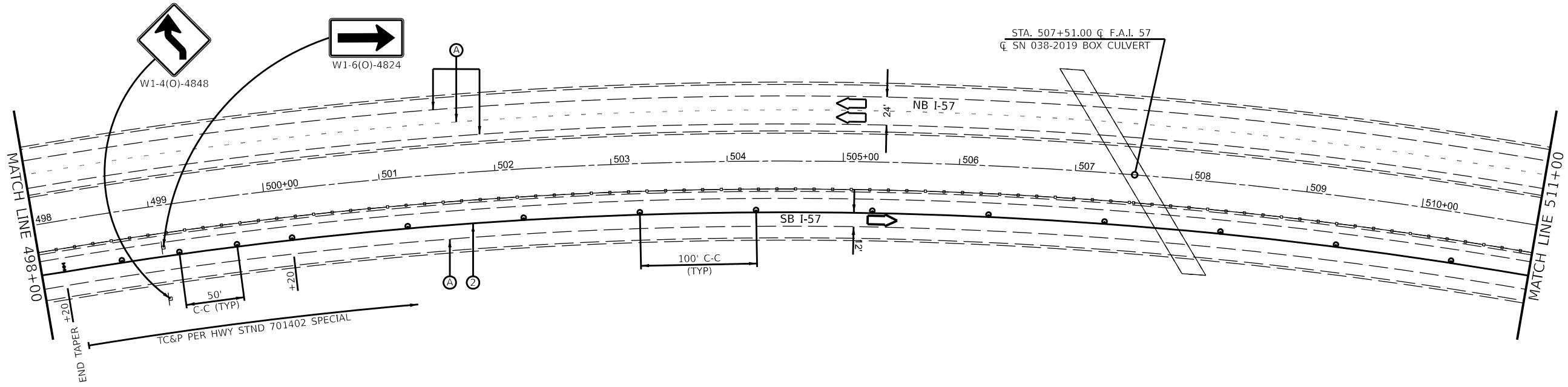
STATE OF ILLINOIS
DEPARTMENT OF TRANSPORTATION

STAGE 1 TRAFFIC CONTROL

SCALE:	SHEET 1 OF 17 SHEETS	STA.	TO STA.
--------	----------------------	------	---------

F.A.I. RTE.	SECTION	COUNTY	TOTAL SHEETS	SHEET NO.
57	(38-6,38-5)RS,BRR,CLV	IROQUOIS	213	122
ILLINOIS FED. AID PROJECT			CONTRACT NO. 66H62	

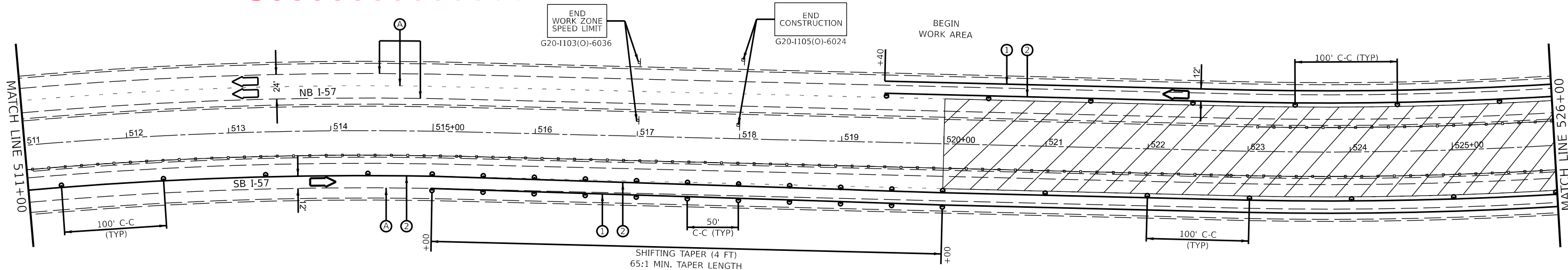
Long Section Number



LEGEND

	DIRECTION INDICATOR BARRICADE WITH STEADY BURN MONODIRECTIONAL LIGHT		ARROW BOARD		EXISTING PAVEMENT MARKING
	DRUMS WITH MONO-DIRECTIONAL STEADY BURNING LIGHTS		CLASS A PATCHING UNDER STRUCTURES		TEMPORARY PAVEMENT MARKING TYPE IV TAPE - WHITE
	DIRECTION OF TRAFFIC		WORK ZONE		TEMPORARY PAVEMENT MARKING TYPE IV TAPE - YELLOW
	IMPACT ATTENUATOR, TEMPORARY (NON-REDIRECTIVE TL 3)				SHORT TERM PAVEMENT MARKING
	TEMPORARY CONCRETE BARRIER				

NOTES:
 ALTERATIONS TO THE TRAFFIC CONTROL PLAN SHALL BE APPROVED BY THE ENGINEER.
 USE TRAFFIC CONTROL STANDARD 701400 & 701401/701402 FOR STAGE 1 WORKZONE. USE 701411 & 701456 FOR ALL RAMPS.
 (NOT ALL TRAFFIC CONTROL DEVICES & SIGNING SHOWN) ADJUST RAMP OPENINGS IF REQUIRED.



1 REV. 2/20/2024 JZ

MODEL Stage 1 Sheets
 FILE NAME: P:\01666666\Drawings\DOT Documents\DOT Office\01666666\CD\Drawings\666666-Plan Stage 1

USER NAME = Joseph.Zagar	DESIGNED -	REVISED -
PLOT SCALE = \$SCALE\$	DRAWN -	REVISED -
PLOT DATE = 2/20/2024	CHECKED -	REVISED -
	DATE -	REVISED -

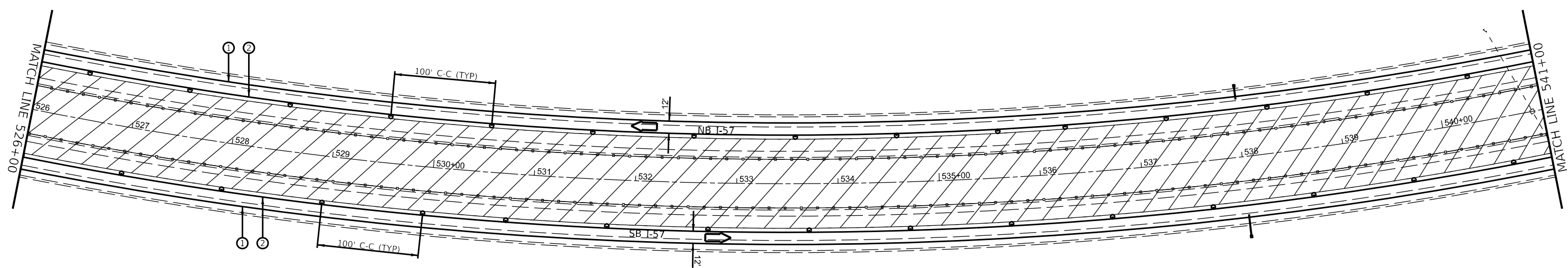
**STATE OF ILLINOIS
DEPARTMENT OF TRANSPORTATION**

STAGE 1 TRAFFIC CONTROL

SCALE: SHEET 2 OF 17 SHEETS STA. TO STA.

F.A.I. RTE.	SECTION	COUNTY	TOTAL SHEETS	SHEET NO.
57	(38-6,38-5)RS,BRR,CLV	IROQUOIS	213	123
CONTRACT NO. 66H62				
ILLINOIS FED. AID PROJECT				

Long Section Number

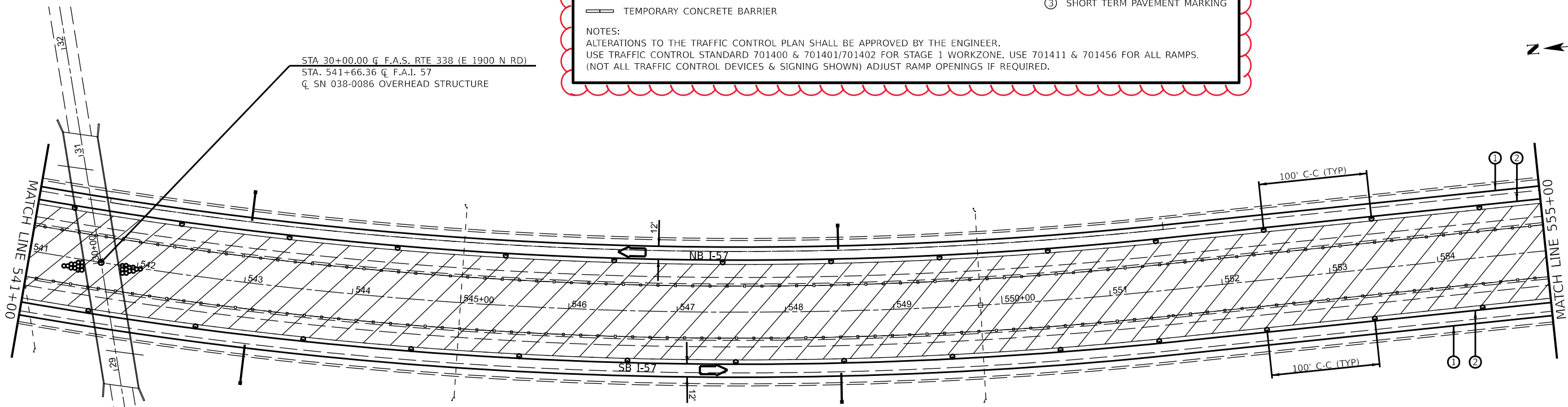


LEGEND

- DIRECTION INDICATOR BARRICADE WITH STEADY BURN MONODIRECTIONAL LIGHT
- DRUMS WITH MONO-DIRECTIONAL STEADY BURNING LIGHTS
- DIRECTION OF TRAFFIC
- IMPACT ATTENUATOR, TEMPORARY (NON-REDIRECTIVE TL 3)
- TEMPORARY CONCRETE BARRIER
- ARROW BOARD
- CLASS A PATCHING UNDER STRUCTURES
- WORK ZONE
- (A) EXISTING PAVEMENT MARKING
- (1) TEMPORARY PAVEMENT MARKING TYPE IV TAPE - WHITE
- (2) TEMPORARY PAVEMENT MARKING TYPE IV TAPE - YELLOW
- (3) SHORT TERM PAVEMENT MARKING

NOTES:
 ALTERATIONS TO THE TRAFFIC CONTROL PLAN SHALL BE APPROVED BY THE ENGINEER.
 USE TRAFFIC CONTROL STANDARD 701400 & 701401/701402 FOR STAGE 1 WORKZONE. USE 701411 & 701456 FOR ALL RAMP.
 (NOT ALL TRAFFIC CONTROL DEVICES & SIGNING SHOWN) ADJUST RAMP OPENINGS IF REQUIRED.

STA 30+00.00 \bar{C} F.A.S. RTE 338 (E 1900 N RD)
 STA. 541+66.36 \bar{C} F.A.I. 57
 \bar{C} SN 038-0086 OVERHEAD STRUCTURE



REV. 2/20/2024 JZ

MODEL: Stage 1 Sheets
 FILE NAME: P:\038-0086\Drawings\DOT\Office\038-0086\CD\Drawings\66H62-Plan_Stage 1

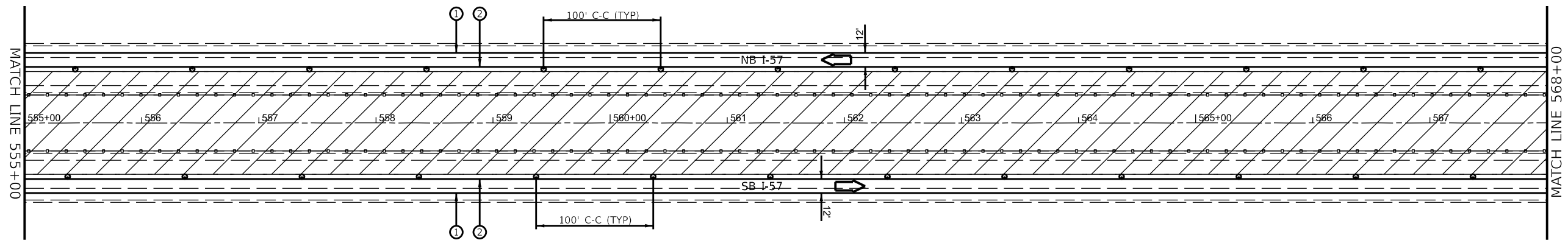
USER NAME = Joseph.Zagar	DESIGNED -	REVISED -
PLOT SCALE = \$SCALE\$	DRAWN -	REVISED -
PLOT DATE = 2/20/2024	CHECKED -	REVISED -
	DATE -	REVISED -

**STATE OF ILLINOIS
 DEPARTMENT OF TRANSPORTATION**

STAGE 1 TRAFFIC CONTROL			
SCALE:	SHEET 3	OF 17 SHEETS	STA. TO STA.

F.A.I. RTE.	SECTION	COUNTY	TOTAL SHEETS	SHEET NO.
57	(38-6,38-5)RS,BRR,CLV	IROQUOIS	213	124
CONTRACT NO. 66H62				
ILLINOIS FED. AID PROJECT				

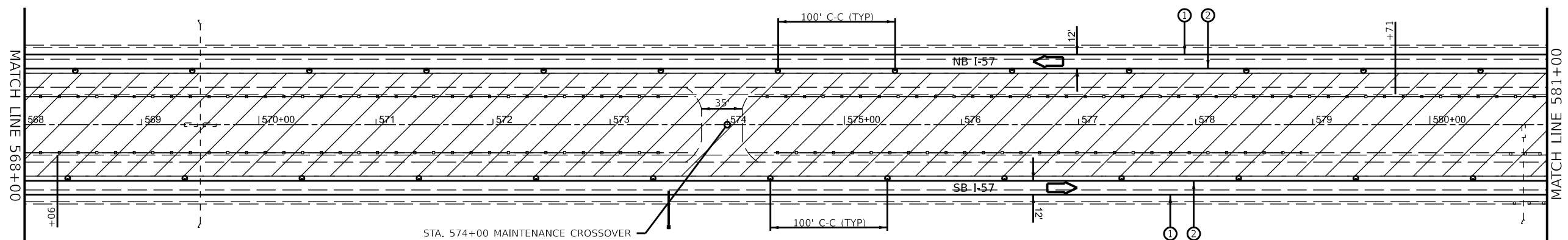
Long Section Number



LEGEND

<ul style="list-style-type: none"> DIRECTION INDICATOR BARRICADE WITH STEADY BURN MONODIRECTIONAL LIGHT DRUMS WITH MONO-DIRECTIONAL STEADY BURNING LIGHTS DIRECTION OF TRAFFIC IMPACT ATTENUATOR, TEMPORARY (NON-REDIRECTIVE TL 3) TEMPORARY CONCRETE BARRIER 	<ul style="list-style-type: none"> ARROW BOARD CLASS A PATCHING UNDER STRUCTURES WORK ZONE 	<ul style="list-style-type: none"> (A) EXISTING PAVEMENT MARKING (1) TEMPORARY PAVEMENT MARKING TYPE IV TAPE - WHITE (2) TEMPORARY PAVEMENT MARKING TYPE IV TAPE - YELLOW (3) SHORT TERM PAVEMENT MARKING
---	--	---

NOTES:
 ALTERATIONS TO THE TRAFFIC CONTROL PLAN SHALL BE APPROVED BY THE ENGINEER.
 USE TRAFFIC CONTROL STANDARD 701400 & 701401/701402 FOR STAGE 1 WORKZONE. USE 701411 & 701456 FOR ALL RAMPS.
 (NOT ALL TRAFFIC CONTROL DEVICES & SIGNING SHOWN) ADJUST RAMP OPENINGS IF REQUIRED.



REV. 2/20/2024 JZ

MODEL Stage 1 Sheets
 FILE NAME: P:\00000000\00000000\00000000\CAD\Drawings\66H62_Plan_Stage 1

USER NAME = Joseph.Zagar	DESIGNED -	REVISED -	
DRAWN -	REVISOR -	REVISION -	
PLOT SCALE = \$SCALE\$	CHECKED -	REVISOR -	
PLOT DATE = 2/20/2024	DATE -	REVISION -	

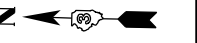
**STATE OF ILLINOIS
DEPARTMENT OF TRANSPORTATION**

STAGE 1 TRAFFIC CONTROL

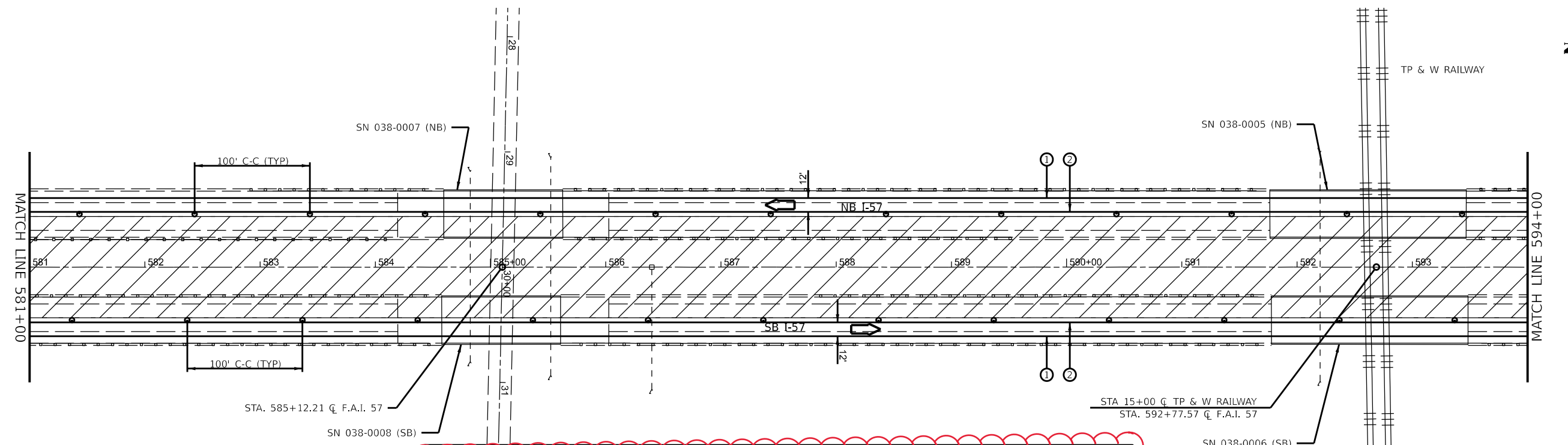
SCALE: SHEET 4 OF 17 SHEETS STA. TO STA.

F.A.I. RTE.	SECTION	COUNTY	TOTAL SHEETS	SHEET NO.
57	(38-6,38-5)RS,BRR,CLV	IROQUOIS	213	125
CONTRACT NO. 66H62				
ILLINOIS FED. AID PROJECT				

Long Section Number

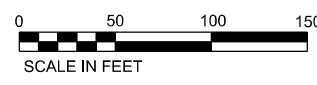
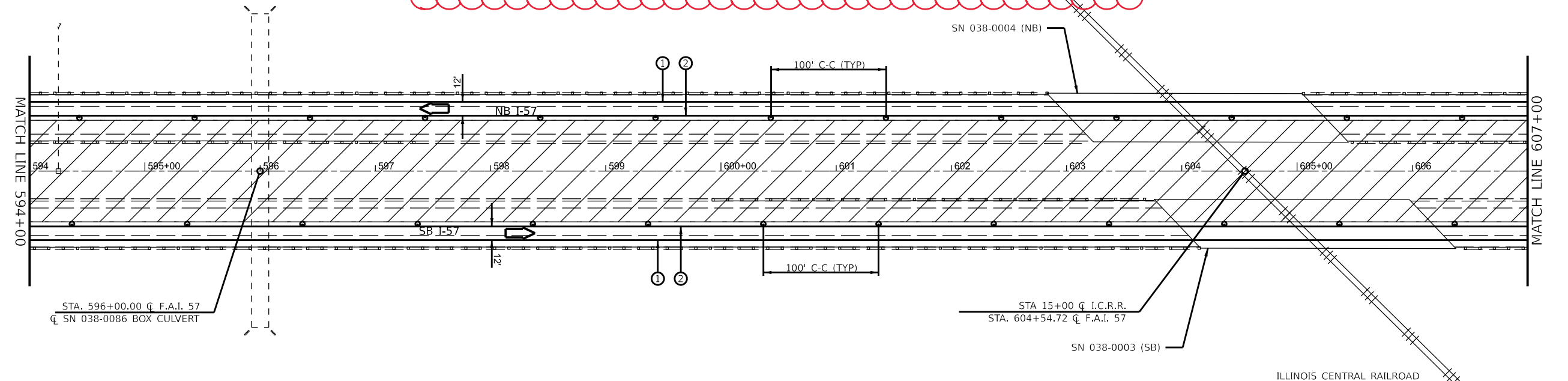
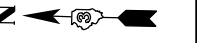


TP & W RAILWAY



LEGEND			
⬆	DIRECTION INDICATOR BARRICADE WITH STEADY BURN MONODIRECTIONAL LIGHT	Ⓐ	EXISTING PAVEMENT MARKING
●	DRUMS WITH MONO-DIRECTIONAL STEADY BURNING LIGHTS	①	TEMPORARY PAVEMENT MARKING TYPE IV TAPE - WHITE
➡	DIRECTION OF TRAFFIC	②	TEMPORARY PAVEMENT MARKING TYPE IV TAPE - YELLOW
⊠	IMPACT ATTENUATOR, TEMPORARY (NON-REDIRECTIVE TL 3)	③	SHORT TERM PAVEMENT MARKING
—	TEMPORARY CONCRETE BARRIER	⬆	ARROW BOARD
⊠	CLASS A PATCHING UNDER STRUCTURES	▨	WORK ZONE

NOTES:
 ALTERATIONS TO THE TRAFFIC CONTROL PLAN SHALL BE APPROVED BY THE ENGINEER.
 USE TRAFFIC CONTROL STANDARD 701400 & 701401/701402 FOR STAGE 1 WORKZONE. USE 701411 & 701456 FOR ALL RAMP.
 (NOT ALL TRAFFIC CONTROL DEVICES & SIGNING SHOWN) ADJUST RAMP OPENINGS IF REQUIRED.



REV. 2/20/2024 JZ

MODEL - Stage 1 Sheets
 FILE NAME - I:\Info\p0404044\IITDOT\Documents\IITDOT\Office\Digital\CORD Project\CD\804842\CAAD\Drawings\66H62_Plan_Stage 1

USER NAME = Joseph.Zagar	DESIGNED -	REVISED -
PLOT SCALE = \$SCALE\$	DRAWN -	REVISED -
PLOT DATE = 2/20/2024	CHECKED -	REVISED -
	DATE -	REVISED -

**STATE OF ILLINOIS
 DEPARTMENT OF TRANSPORTATION**

STAGE 1 TRAFFIC CONTROL

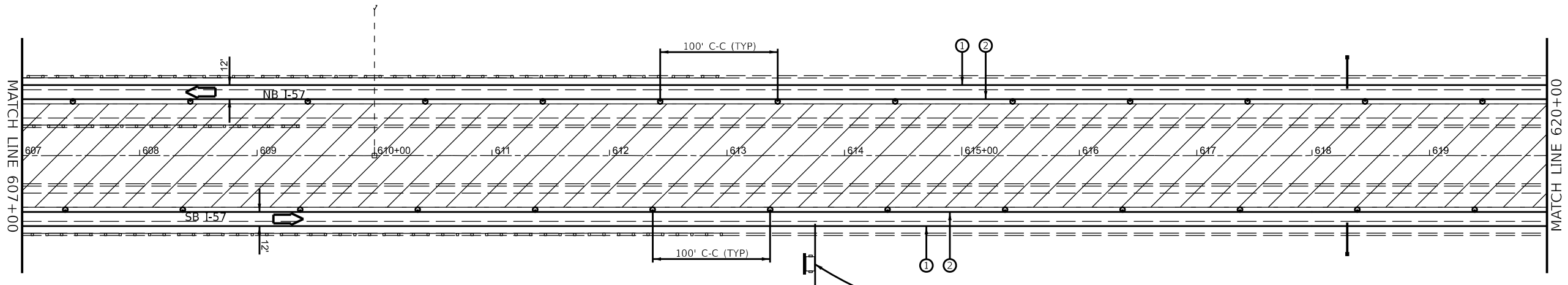
SCALE: SHEET 5 OF 17 SHEETS STA. TO STA.

F.A.I. RTE.	SECTION	COUNTY	TOTAL SHEETS	SHEET NO.
57	(38-6.38-5)RS,BRR,CLV	IROQUOIS	213	126

CONTRACT NO. 66H62

ILLINOIS FED. AID PROJECT

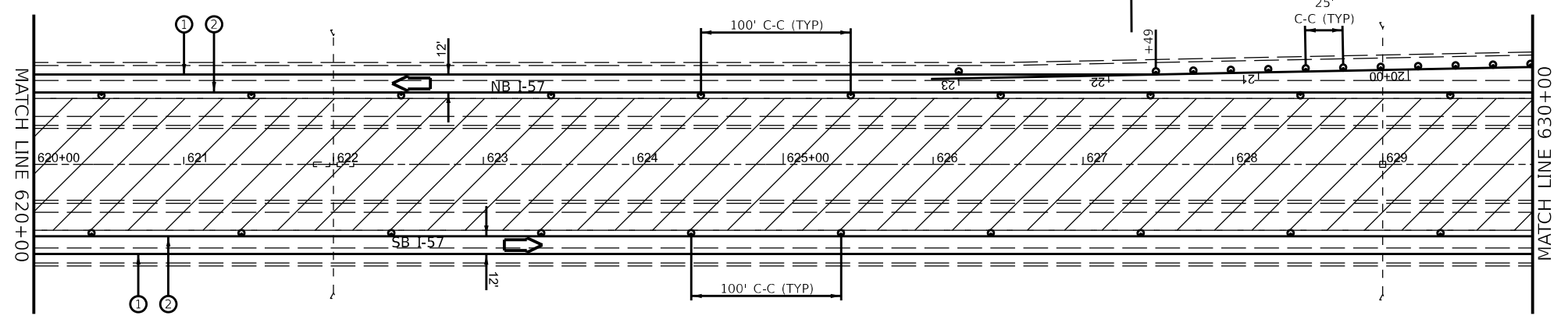
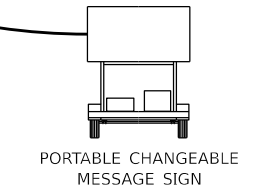
Long Section Number



LEGEND

	DIRECTION INDICATOR BARRICADE WITH STEADY BURN MONODIRECTIONAL LIGHT		ARROW BOARD		EXISTING PAVEMENT MARKING
	DRUMS WITH MONO-DIRECTIONAL STEADY BURNING LIGHTS		CLASS A PATCHING UNDER STRUCTURES		TEMPORARY PAVEMENT MARKING TYPE IV TAPE - WHITE
	DIRECTION OF TRAFFIC		WORK ZONE		TEMPORARY PAVEMENT MARKING TYPE IV TAPE - YELLOW
	IMPACT ATTENUATOR, TEMPORARY (NON-REDIRECTIVE TL 3)				SHORT TERM PAVEMENT MARKING
	TEMPORARY CONCRETE BARRIER				

NOTES:
ALTERATIONS TO THE TRAFFIC CONTROL PLAN SHALL BE APPROVED BY THE ENGINEER.
USE TRAFFIC CONTROL STANDARD 701400 & 701401/701402 FOR STAGE 1 WORKZONE. USE 701411 & 701456 FOR ALL RAMPS.
(NOT ALL TRAFFIC CONTROL DEVICES & SIGNING SHOWN) ADJUST RAMP OPENINGS IF REQUIRED.



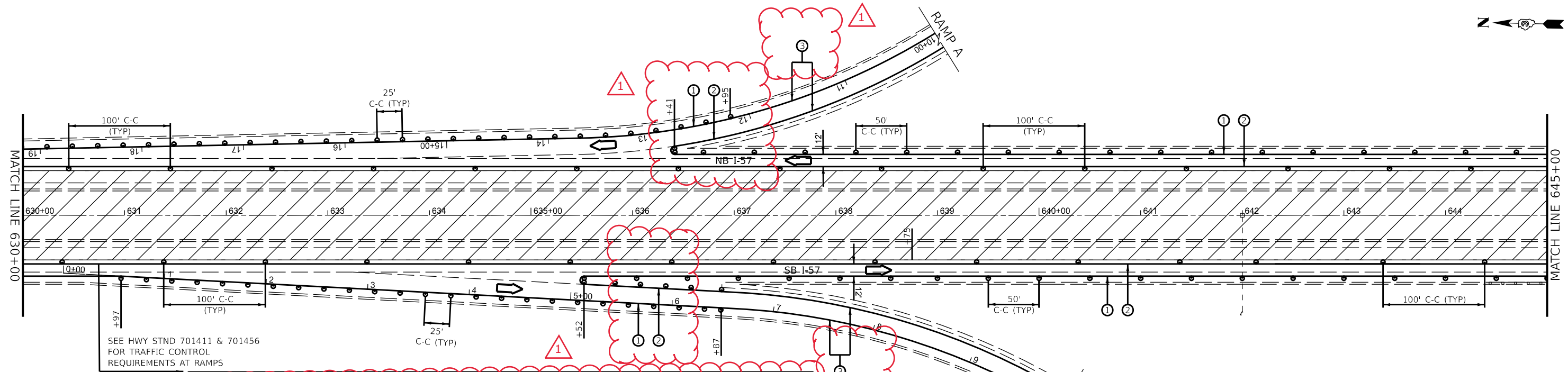
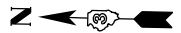
SEE HWY STND 701411 & 701456 FOR TRAFFIC CONTROL REQUIREMENTS AT RAMPS

MODEL: Stage 1 Sheets
FILE NAME: P:\Info\Projects\2024\66H62\CADD\Drawings\Traffic\66H62_Plan_Stage 1

REV. 2/20/2024 JZ

USER NAME = Joseph.Zagar	DESIGNED -	REVISED -	STATE OF ILLINOIS	STAGE 1 TRAFFIC CONTROL			F.A.I RTE.	SECTION	COUNTY	TOTAL SHEETS	SHEET NO.
PLOT SCALE = \$SCALE\$	DRAWN -	REVISED -	DEPARTMENT OF TRANSPORTATION	SCALE: SHEET 6 OF 17 SHEETS STA. TO STA.			57	(38-6,38-5)RS,BRR,CLV	IROQUOIS	213	127
PLOT DATE = 2/20/2024	CHECKED -	REVISED -					CONTRACT NO. 66H62				
	DATE -	REVISED -					ILLINOIS FED. AID PROJECT				

Long Section Number



SEE HWY STND 701411 & 701456 FOR TRAFFIC CONTROL REQUIREMENTS AT RAMPS

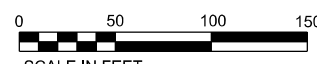
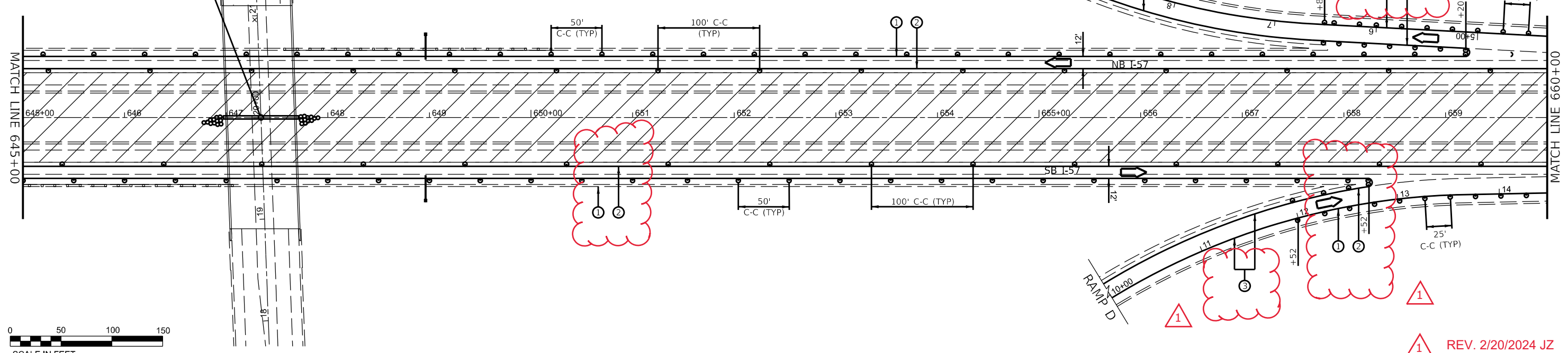


LEGEND

- DIRECTION INDICATOR BARRICADE WITH STEADY BURN MONODIRECTIONAL LIGHT
- DRUMS WITH MONO-DIRECTIONAL STEADY BURNING LIGHTS
- DIRECTION OF TRAFFIC
- IMPACT ATTENUATOR, TEMPORARY (NON-REDIRECTIVE TL 3)
- TEMPORARY CONCRETE BARRIER
- ARROW BOARD
- CLASS A PATCHING UNDER STRUCTURES
- WORK ZONE
- (A) EXISTING PAVEMENT MARKING
- (1) TEMPORARY PAVEMENT MARKING TYPE IV TAPE - WHITE
- (2) TEMPORARY PAVEMENT MARKING TYPE IV TAPE - YELLOW
- (3) SHORT TERM PAVEMENT MARKING

NOTES:
 ALTERATIONS TO THE TRAFFIC CONTROL PLAN SHALL BE APPROVED BY THE ENGINEER.
 USE TRAFFIC CONTROL STANDARD 701400 & 701401/701402 FOR STAGE 1 WORKZONE. USE 701411 & 701456 FOR ALL RAMPS.
 (NOT ALL TRAFFIC CONTROL DEVICES & SIGNING SHOWN) ADJUST RAMP OPENINGS IF REQUIRED.

STA 20+00.00 @ US RTE 24 (CO. RD 1700 N)
 STA. 647+34.20 @ F.A.I. 57
 @ SN 038-0031 OVERHEAD STRUCTURE



REV. 2/20/2024 JZ

MODEL - Stage 1 Sheets
 FILE NAME - P:\038-0031\Drawings\DOT\Office\Drawings\3-CRD\Project\038-0031\CD\Drawings\66H62-Plan-Stage 1

USER NAME = Joseph.Zagar	DESIGNED -	REVISED -
PLOT SCALE = \$SCALE\$	DRAWN -	REVISED -
PLOT DATE = 2/20/2024	CHECKED -	REVISED -
	DATE -	REVISED -

**STATE OF ILLINOIS
 DEPARTMENT OF TRANSPORTATION**

STAGE 1 TRAFFIC CONTROL

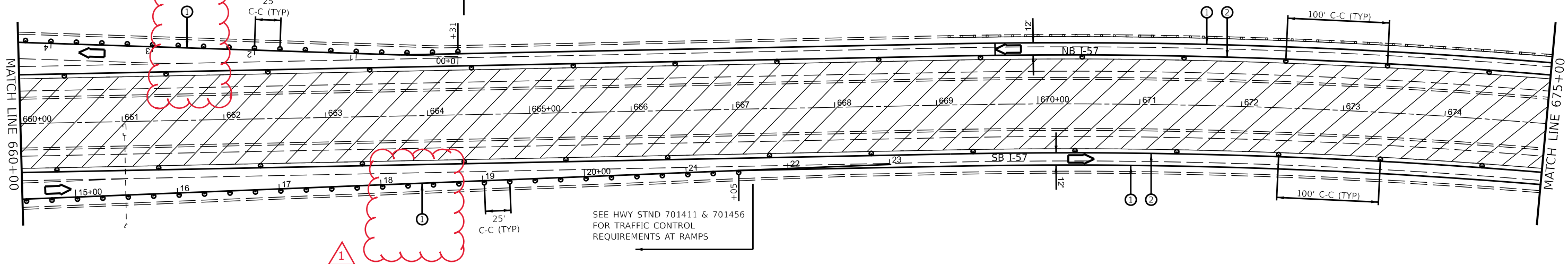
SCALE: SHEET 7 OF 17 SHEETS STA. TO STA.

F.A.I. RTE.	SECTION	COUNTY	TOTAL SHEETS	SHEET NO.
57	(38-6,38-5)RS,BRR,CLV	IROQUOIS	213	128
CONTRACT NO. 66H62				

ILLINOIS FED. AID PROJECT Long Section Number



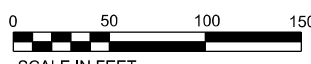
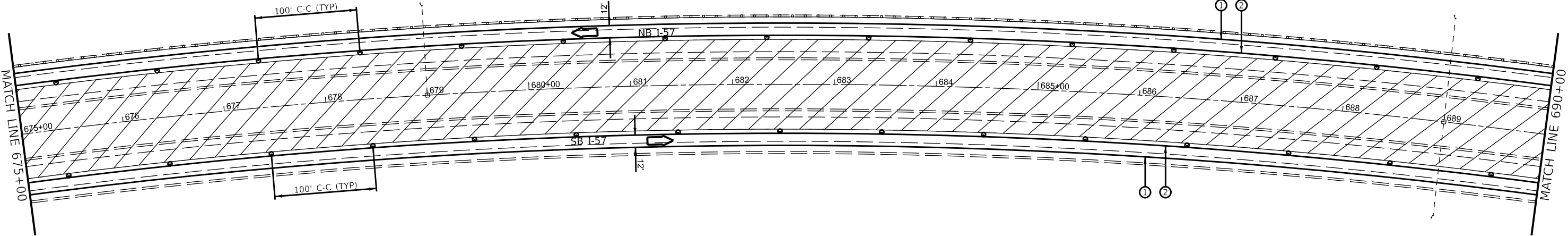
SEE HWY STND 701411 & 701456 FOR TRAFFIC CONTROL REQUIREMENTS AT RAMPS



LEGEND

- DIRECTION INDICATOR BARRICADE WITH STEADY BURN MONODIRECTIONAL LIGHT
- DRUMS WITH MONO-DIRECTIONAL STEADY BURNING LIGHTS
- ARROW BOARD
- CLASS A PATCHING UNDER STRUCTURES
- WORK ZONE
- DIRECTION OF TRAFFIC
- IMPACT ATTENUATOR, TEMPORARY (NON-REDIRECTIVE TL 3)
- TEMPORARY CONCRETE BARRIER
- (A) EXISTING PAVEMENT MARKING
- (1) TEMPORARY PAVEMENT MARKING TYPE IV TAPE - WHITE
- (2) TEMPORARY PAVEMENT MARKING TYPE IV TAPE - YELLOW
- (3) SHORT TERM PAVEMENT MARKING

NOTES:
ALTERATIONS TO THE TRAFFIC CONTROL PLAN SHALL BE APPROVED BY THE ENGINEER.
USE TRAFFIC CONTROL STANDARD 701400 & 701401/701402 FOR STAGE 1 WORKZONE. USE 701411 & 701456 FOR ALL RAMPS.
(NOT ALL TRAFFIC CONTROL DEVICES & SIGNING SHOWN) ADJUST RAMP OPENINGS IF REQUIRED.



REV. 2/20/2024 JZ

MODEL - Stage 1 Sheets
FILE NAME - I:\0308\p06666\hardway.com\PI\DOT\Documents\I\DOT\Office\Dist\3\CRD\Project\0308\H62\CAD\Draws\66662\Plan_Stage 1

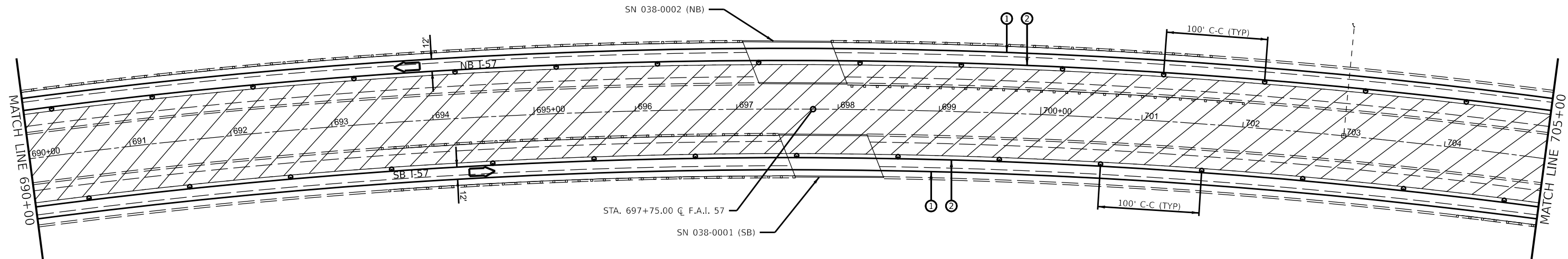
USER NAME = Joseph.Zagar	DESIGNED -	REVISED -
PLOT SCALE = \$SCALE\$	DRAWN -	REVISED -
PLOT DATE = 2/20/2024	CHECKED -	REVISED -
	DATE -	REVISED -

**STATE OF ILLINOIS
DEPARTMENT OF TRANSPORTATION**

STAGE 1 TRAFFIC CONTROL
SCALE: SHEET 8 OF 17 SHEETS STA. TO STA.

F.A.I. RTE.	SECTION	COUNTY	TOTAL SHEETS	SHEET NO.
57	(38-6,38-5)RS,BRR,CLV	IROQUOIS	213	129
CONTRACT NO. 66H62				
ILLINOIS FED. AID PROJECT				

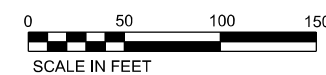
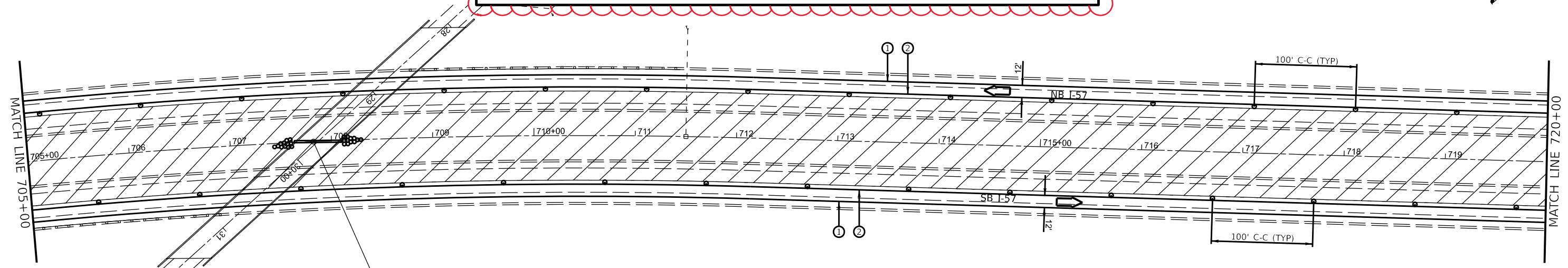
Long Section Number



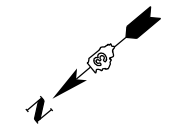
LEGEND

<ul style="list-style-type: none"> DIRECTION INDICATOR BARRICADE WITH STEADY BURN MONODIRECTIONAL LIGHT DRUMS WITH MONO-DIRECTIONAL STEADY BURNING LIGHTS DIRECTION OF TRAFFIC IMPACT ATTENUATOR, TEMPORARY (NON-REDIRECTIVE TL 3) TEMPORARY CONCRETE BARRIER 	<ul style="list-style-type: none"> ARROW BOARD CLASS A PATCHING UNDER STRUCTURES WORK ZONE 	<ul style="list-style-type: none"> (A) EXISTING PAVEMENT MARKING (1) TEMPORARY PAVEMENT MARKING TYPE IV TAPE - WHITE (2) TEMPORARY PAVEMENT MARKING TYPE IV TAPE - YELLOW (3) SHORT TERM PAVEMENT MARKING
---	--	---

NOTES:
 ALTERATIONS TO THE TRAFFIC CONTROL PLAN SHALL BE APPROVED BY THE ENGINEER.
 USE TRAFFIC CONTROL STANDARD 701400 & 701401/701402 FOR STAGE 1 WORKZONE. USE 701411 & 701456 FOR ALL RAMP.
 (NOT ALL TRAFFIC CONTROL DEVICES & SIGNING SHOWN) ADJUST RAMP OPENINGS IF REQUIRED.



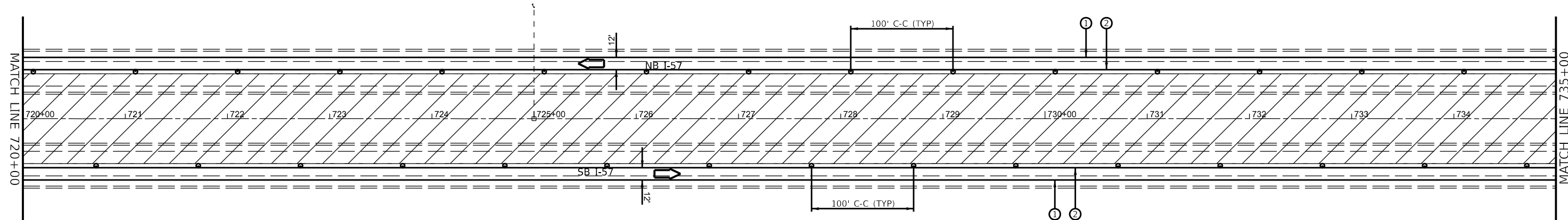
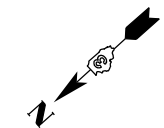
STA 29+73.13 C. CO. RD. 600 E
 STA. 707+86.74 C. F.A.I. 57
 C. SN 038-0129 OVERHEAD STRUCTURE



MODEL - Stage 1 Sheets
 FILE NAME - P:\2024\66H62\66H62\Drawings\DOT\66H62\66H62-Plan-Stage 1

REV. 2/20/2024 JZ

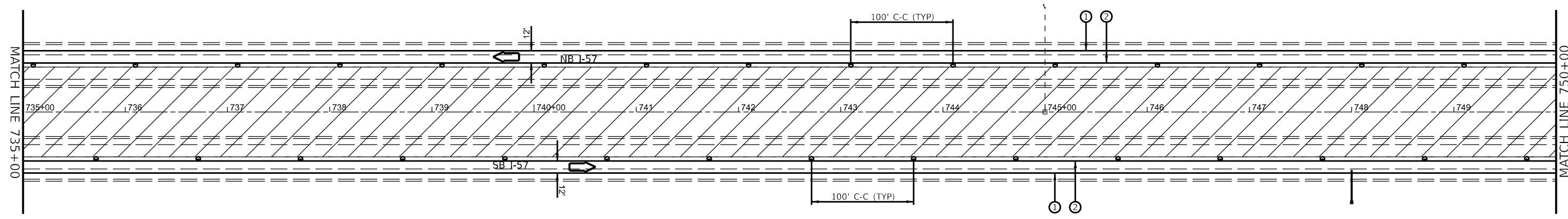
	USER NAME = Joseph.Zagar	DESIGNED -	REVISED -	STATE OF ILLINOIS DEPARTMENT OF TRANSPORTATION	STAGE 1 TRAFFIC CONTROL	F.A.I RTE.	SECTION	COUNTY	TOTAL SHEETS	SHEET NO.
	PLOT SCALE = \$SCALE\$	CHECKED -	REVISED -			57	(38-6,38-5)RS,BRR,CLV	IROQUOIS	213	130
	PLOT DATE = 2/20/2024	DATE -	REVISED -	SCALE: SHEET 9 OF 17 SHEETS STA. TO STA.		ILLINOIS FED. AID PROJECT Long Section Number				
						CONTRACT NO. 66H62				



LEGEND

	DIRECTION INDICATOR BARRICADE WITH STEADY BURN MONODIRECTIONAL LIGHT		ARROW BOARD		EXISTING PAVEMENT MARKING
	DRUMS WITH MONO-DIRECTIONAL STEADY BURNING LIGHTS		CLASS A PATCHING UNDER STRUCTURES		TEMPORARY PAVEMENT MARKING TYPE IV TAPE - WHITE
	DIRECTION OF TRAFFIC		WORK ZONE		TEMPORARY PAVEMENT MARKING TYPE IV TAPE - YELLOW
	IMPACT ATTENUATOR, TEMPORARY (NON-REDIRECTIVE TL 3)				SHORT TERM PAVEMENT MARKING
	TEMPORARY CONCRETE BARRIER				

NOTES:
 ALTERATIONS TO THE TRAFFIC CONTROL PLAN SHALL BE APPROVED BY THE ENGINEER.
 USE TRAFFIC CONTROL STANDARD 701400 & 701401/701402 FOR STAGE 1 WORKZONE. USE 701411 & 701456 FOR ALL RAMP.
 (NOT ALL TRAFFIC CONTROL DEVICES & SIGNING SHOWN) ADJUST RAMP OPENINGS IF REQUIRED.



REV. 2/20/2024 JZ

MODEL - Stage 1 Sheets
 FILE NAME - P:\000\p00\bandray.com\FM\DOT\Documents\DOT Office\Bridges\3-CRD-Project\0386\H62\CAD\Drawings\66H62-Plan-Stage 1

USER NAME = Joseph.Zagar	DESIGNED -	REVISED -
PLOT SCALE = \$SCALE\$	DRAWN -	REVISED -
PLOT DATE = 2/20/2024	CHECKED -	REVISED -
	DATE -	REVISED -

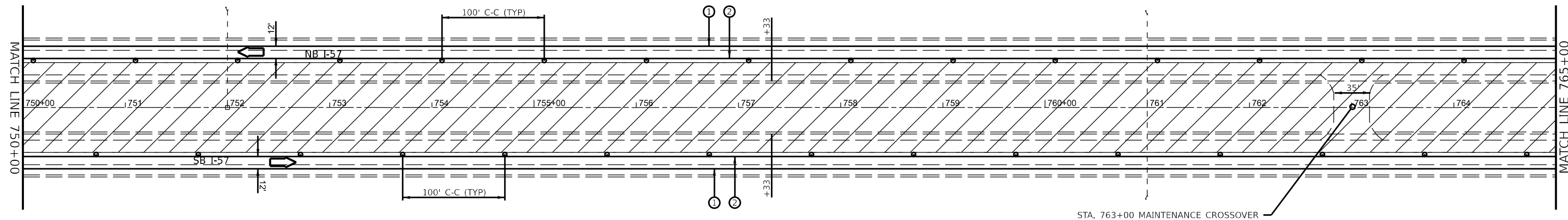
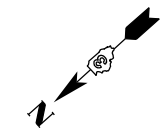
**STATE OF ILLINOIS
DEPARTMENT OF TRANSPORTATION**

STAGE 1 TRAFFIC CONTROL

SCALE: SHEET 10 OF 17 SHEETS STA. TO STA.

F.A.I. RTE.	SECTION	COUNTY	TOTAL SHEETS	SHEET NO.
57	(38-6,38-5)RS,BRR,CLV	IROQUOIS	213	131
CONTRACT NO. 66H62				
ILLINOIS FED. AID PROJECT				

Long Section Number



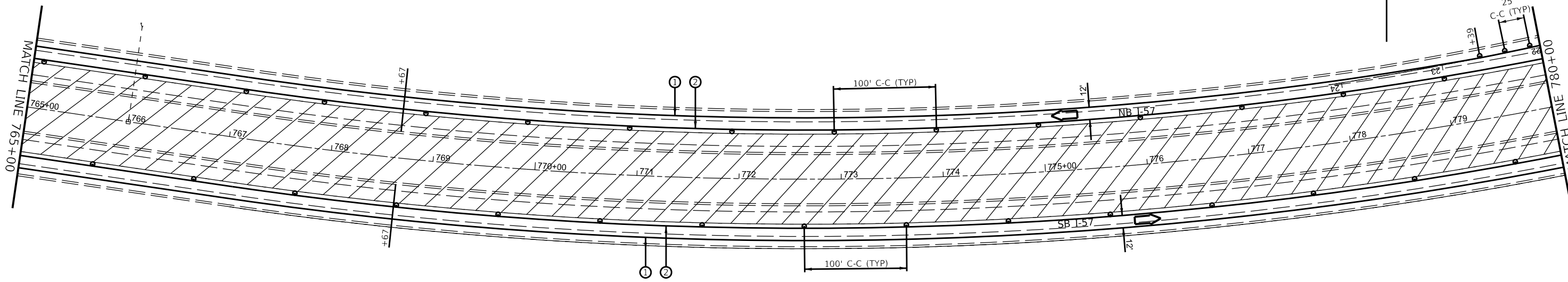
LEGEND

	DIRECTION INDICATOR BARRICADE WITH STEADY BURN MONODIRECTIONAL LIGHT		ARROW BOARD		EXISTING PAVEMENT MARKING
	DRUMS WITH MONO-DIRECTIONAL STEADY BURNING LIGHTS		CLASS A PATCHING UNDER STRUCTURES		TEMPORARY PAVEMENT MARKING TYPE IV TAPE - WHITE
	DIRECTION OF TRAFFIC		WORK ZONE		TEMPORARY PAVEMENT MARKING TYPE IV TAPE - YELLOW
	IMPACT ATTENUATOR, TEMPORARY (NON-REDIRECTIVE TL 3)				SHORT TERM PAVEMENT MARKING
	TEMPORARY CONCRETE BARRIER				

NOTES:
 ALTERATIONS TO THE TRAFFIC CONTROL PLAN SHALL BE APPROVED BY THE ENGINEER.
 USE TRAFFIC CONTROL STANDARD 701400 & 701401/701402 FOR STAGE 1 WORKZONE. USE 701411 & 701456 FOR ALL RAMPS.
 (NOT ALL TRAFFIC CONTROL DEVICES & SIGNING SHOWN) ADJUST RAMP OPENINGS IF REQUIRED.



SEE HWY STND 701411 & 701456 FOR TRAFFIC CONTROL REQUIREMENTS AT RAMPS



REV. 2/20/2024 JZ

MODEL - Stage 1 Sheets
 FILE NAME - P:\2024\66H62\Drawings\I-57\Traffic Control\Stage 1\Traffic Control - Stage 1.dwg

USER NAME = Joseph.Zagar	DESIGNED -	REVISED -
DRAWN -	REVISED -	
PLOT SCALE = \$SCALE\$	CHECKED -	REVISED -
PLOT DATE = 2/20/2024	DATE -	REVISED -

STATE OF ILLINOIS
DEPARTMENT OF TRANSPORTATION

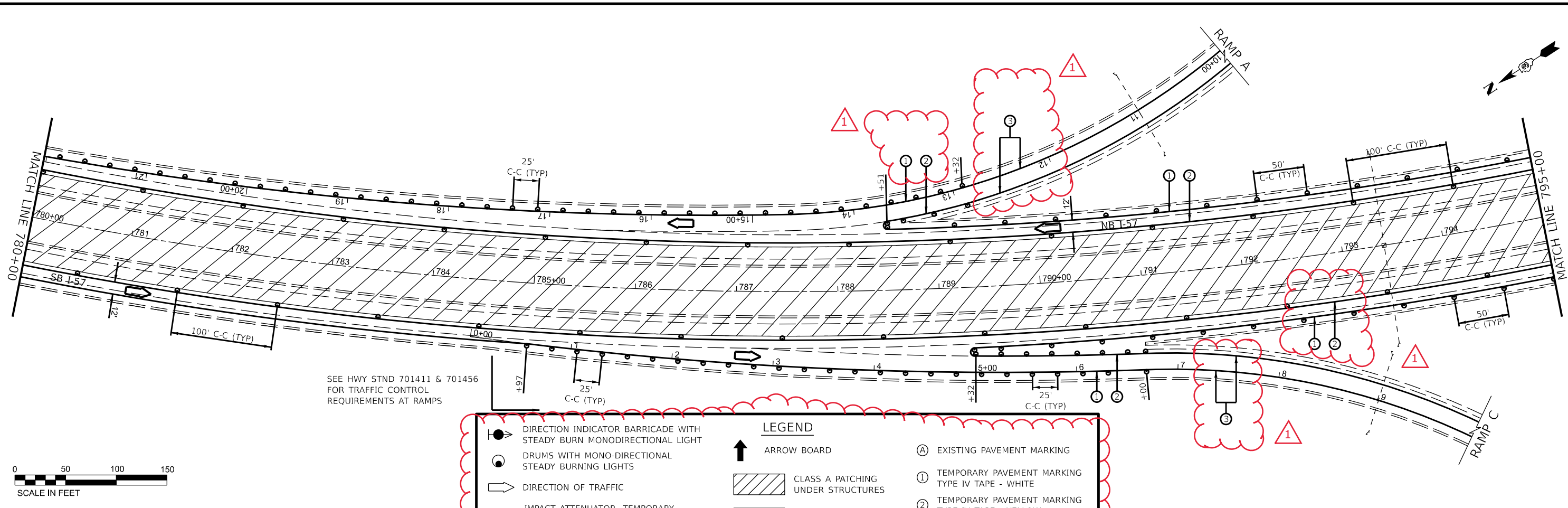
STAGE 1 TRAFFIC CONTROL

SCALE: SHEET 11 OF 17 SHEETS STA. TO STA.

F.A.I. RTE. = 57	SECTION = (38-6,38-5)RS,BRR,CLV	COUNTY = IROQUOIS	TOTAL SHEETS = 213	SHEET NO. = 132
CONTRACT NO. 66H62				
ILLINOIS		FED. AID PROJECT		

Long Section Number

MODEL Stage 1 Sheets
 FILE NAME: P:\038-0048\Drawings\DOT Office\Drawings\DOT Office\Drawings\CAD\Drawings\66H62_Plan_Stage 1



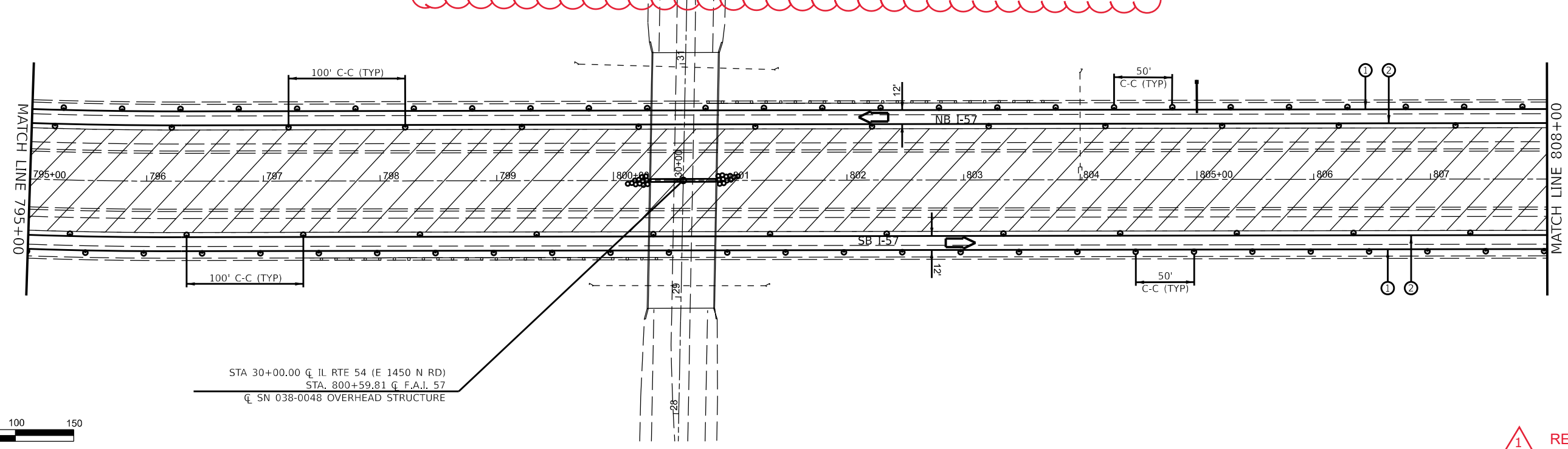
SEE HWY STND 701411 & 701456
FOR TRAFFIC CONTROL
REQUIREMENTS AT RAMPS



LEGEND

<ul style="list-style-type: none"> DIRECTION INDICATOR BARRICADE WITH STEADY BURN MONODIRECTIONAL LIGHT DRUMS WITH MONO-DIRECTIONAL STEADY BURNING LIGHTS DIRECTION OF TRAFFIC IMPACT ATTENUATOR, TEMPORARY (NON-REDIRECTIVE TL 3) TEMPORARY CONCRETE BARRIER 	<ul style="list-style-type: none"> ARROW BOARD CLASS A PATCHING UNDER STRUCTURES WORK ZONE 	<ul style="list-style-type: none"> EXISTING PAVEMENT MARKING TEMPORARY PAVEMENT MARKING TYPE IV TAPE - WHITE TEMPORARY PAVEMENT MARKING TYPE IV TAPE - YELLOW SHORT TERM PAVEMENT MARKING
---	--	---

NOTES:
 ALTERATIONS TO THE TRAFFIC CONTROL PLAN SHALL BE APPROVED BY THE ENGINEER.
 USE TRAFFIC CONTROL STANDARD 701400 & 701401/701402 FOR STAGE 1 WORKZONE. USE 701411 & 701456 FOR ALL RAMPS.
 (NOT ALL TRAFFIC CONTROL DEVICES & SIGNING SHOWN) ADJUST RAMP OPENINGS IF REQUIRED.



STA 30+00.00 CL IL RTE 54 (E 1450 N RD)
 STA. 800+59.81 CL F.A.I. 57
 CL SN 038-0048 OVERHEAD STRUCTURE



REV. 2/20/2024 JZ

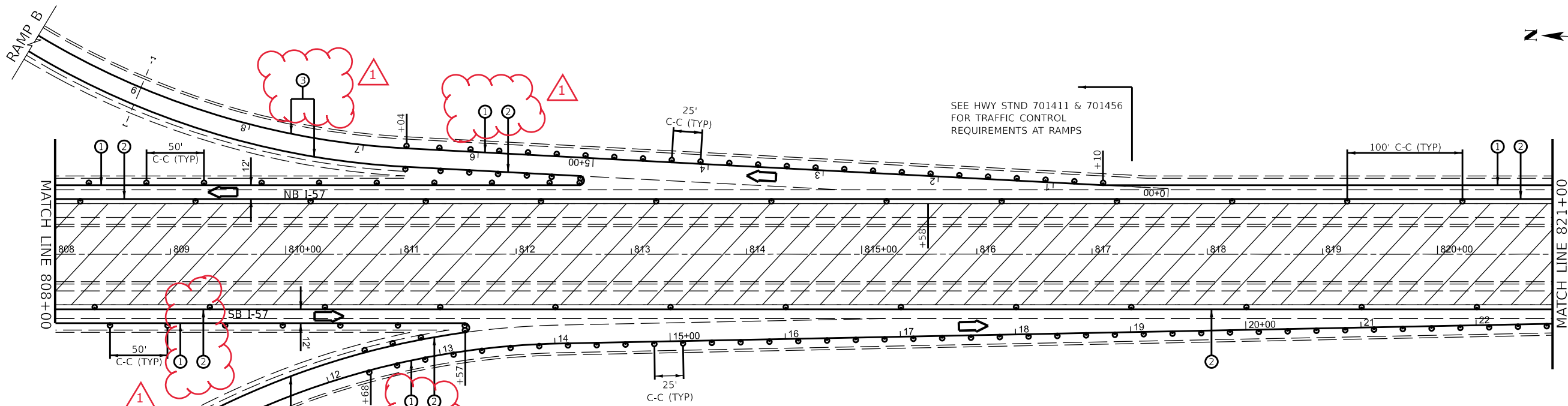
USER NAME = Joseph.Zagar	DESIGNED -	REVISED -	
	DRAWN -	REVISED -	
PLOT SCALE = \$SCALE\$	CHECKED -	REVISED -	
PLOT DATE = 2/20/2024	DATE -	REVISED -	

**STATE OF ILLINOIS
DEPARTMENT OF TRANSPORTATION**

STAGE 1 TRAFFIC CONTROL			
SCALE:	SHEET 12 OF 17 SHEETS	STA.	TO STA.

F.A.I. RTE.	SECTION	COUNTY	TOTAL SHEETS	SHEET NO.
57	(38-6,38-5)RS,BRR,CLV	IROQUOIS	213	133
CONTRACT NO. 66H62				
ILLINOIS FED. AID PROJECT				

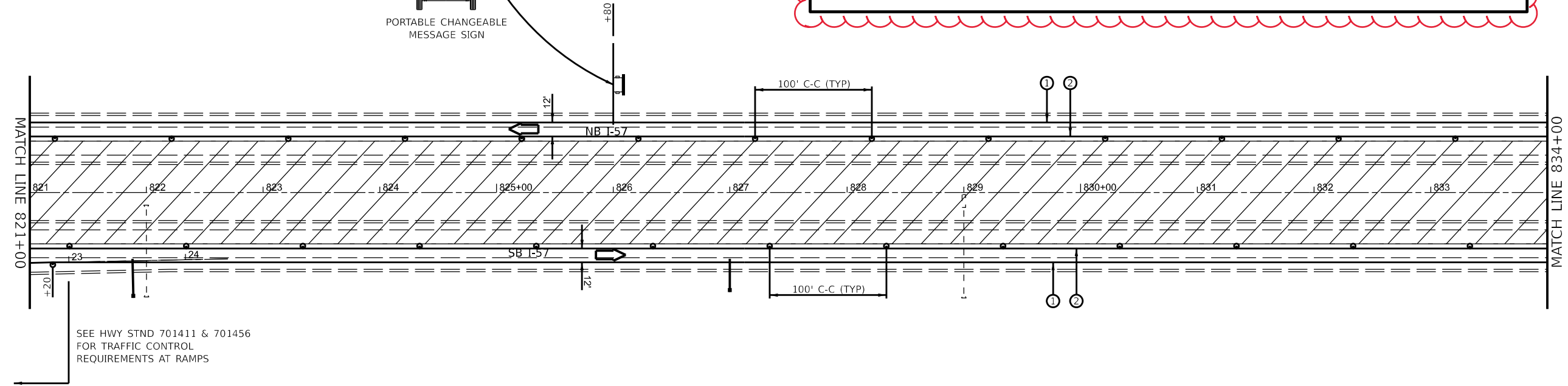
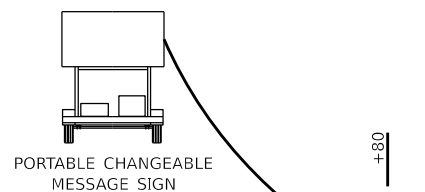
Long Section Number



LEGEND

- DIRECTION INDICATOR BARRICADE WITH STEADY BURN MONODIRECTIONAL LIGHT
- DRUMS WITH MONO-DIRECTIONAL STEADY BURNING LIGHTS
- DIRECTION OF TRAFFIC
- IMPACT ATTENUATOR, TEMPORARY (NON-REDIRECTIVE TL 3)
- TEMPORARY CONCRETE BARRIER
- ARROW BOARD
- CLASS A PATCHING UNDER STRUCTURES
- WORK ZONE
- (A) EXISTING PAVEMENT MARKING
- (1) TEMPORARY PAVEMENT MARKING TYPE IV TAPE - WHITE
- (2) TEMPORARY PAVEMENT MARKING TYPE IV TAPE - YELLOW
- (3) SHORT TERM PAVEMENT MARKING

NOTES:
 ALTERATIONS TO THE TRAFFIC CONTROL PLAN SHALL BE APPROVED BY THE ENGINEER.
 USE TRAFFIC CONTROL STANDARD 701400 & 701401/701402 FOR STAGE 1 WORKZONE. USE 701411 & 701456 FOR ALL RAMP.
 (NOT ALL TRAFFIC CONTROL DEVICES & SIGNING SHOWN) ADJUST RAMP OPENINGS IF REQUIRED.



1 REV. 2/20/2024 JZ

MODEL Stage 1 Sheets
 FILE NAME: P:\030804\p030804\Drawings\DOT\Office\Billed\30804\Drawings\CAD\Drawings\66H62_Plan_Stage 1

USER NAME = Joseph.Zagar	DESIGNED -	REVISED -
DRAWN -	REVISOR -	
PLOT SCALE = \$SCALE\$	CHECKED -	REVISOR -
PLOT DATE = 2/20/2024	DATE -	REVISOR -

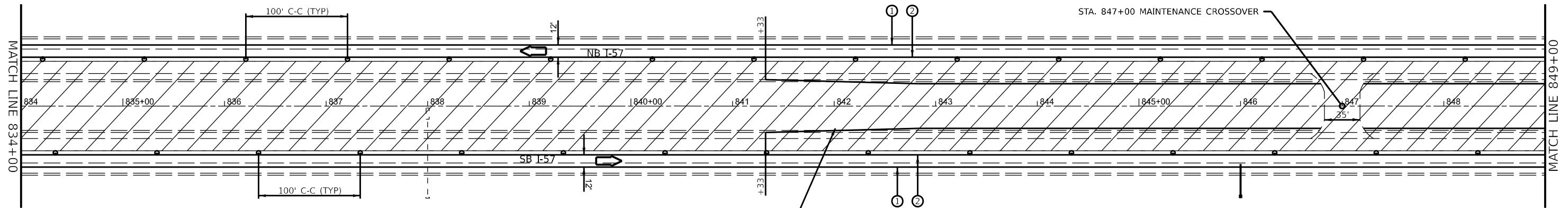
**STATE OF ILLINOIS
DEPARTMENT OF TRANSPORTATION**

STAGE 1 TRAFFIC CONTROL

SCALE: SHEET 13 OF 17 SHEETS STA. TO STA.

F.A.I. RTE.	SECTION	COUNTY	TOTAL SHEETS	SHEET NO.
57	(38-6,38-5)RS,BRR,CLV	IROQUOIS	213	134
CONTRACT NO. 66H62				
ILLINOIS FED. AID PROJECT				

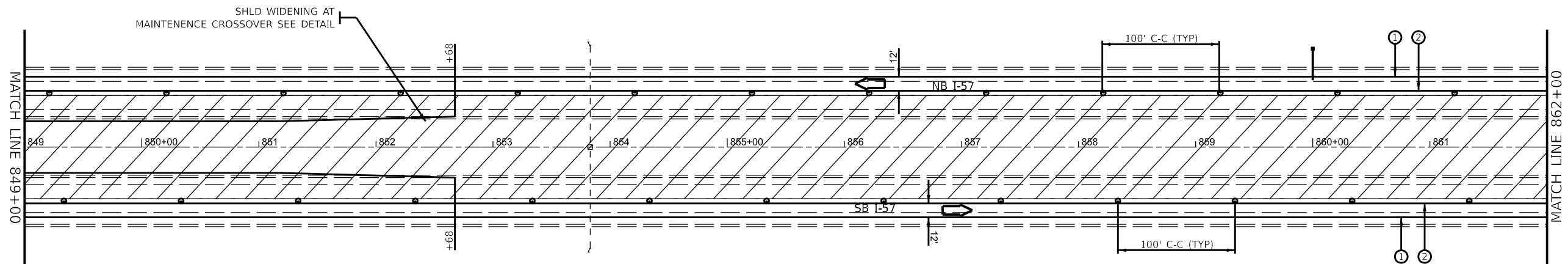
Long Section Number



LEGEND

	DIRECTION INDICATOR BARRICADE WITH STEADY BURN MONODIRECTIONAL LIGHT		ARROW BOARD		EXISTING PAVEMENT MARKING
	DRUMS WITH MONO-DIRECTIONAL STEADY BURNING LIGHTS		CLASS A PATCHING UNDER STRUCTURES		TEMPORARY PAVEMENT MARKING TYPE IV TAPE - WHITE
	DIRECTION OF TRAFFIC		WORK ZONE		TEMPORARY PAVEMENT MARKING TYPE IV TAPE - YELLOW
	IMPACT ATTENUATOR, TEMPORARY (NON-REDIRECTIVE TL 3)				SHORT TERM PAVEMENT MARKING
	TEMPORARY CONCRETE BARRIER				

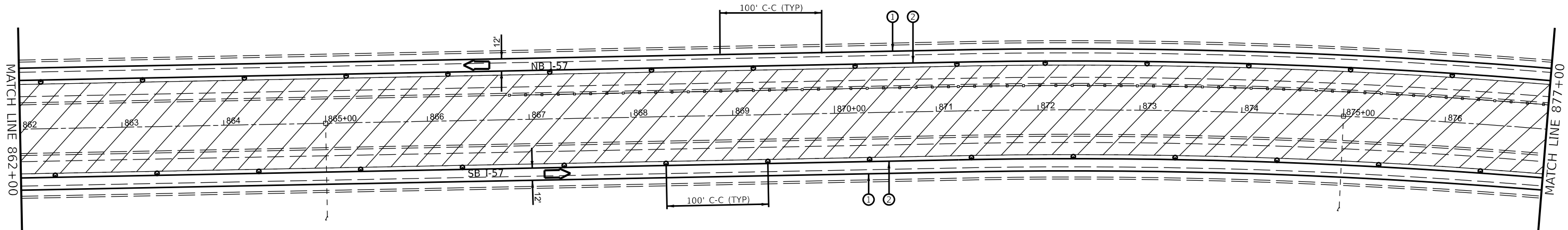
NOTES:
 ALTERATIONS TO THE TRAFFIC CONTROL PLAN SHALL BE APPROVED BY THE ENGINEER.
 USE TRAFFIC CONTROL STANDARD 701400 & 701401/701402 FOR STAGE 1 WORKZONE. USE 701411 & 701456 FOR ALL RAMPS.
 (NOT ALL TRAFFIC CONTROL DEVICES & SIGNING SHOWN) ADJUST RAMP OPENINGS IF REQUIRED.



REV. 2/20/2024 JZ

MODEL: Stage 1 Sheets
 FILE NAME: P:\2024\66H62\Drawings\DOT\Office\Drawings\DOT\Office\Drawings\66H62_Plan_Stage 1

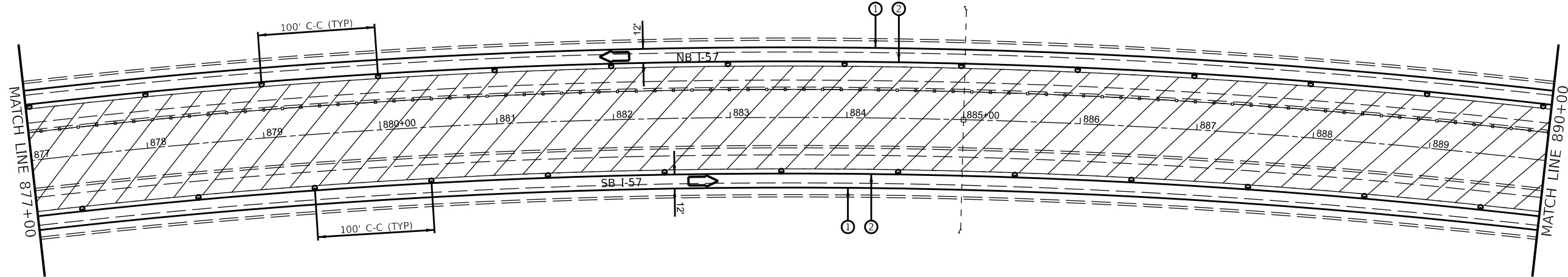
USER NAME = Joseph.Zagar PLOT SCALE = \$SCALE\$ PLOT DATE = 2/20/2024	DESIGNED - DRAWN - CHECKED - DATE -	REVISED - REVISED - REVISED - REVISED -	STATE OF ILLINOIS DEPARTMENT OF TRANSPORTATION	STAGE 1 TRAFFIC CONTROL	F.A.I. RTE. 57 SECTION (38-6,38-5)RS,BRR,CLV COUNTY IROQUOIS TOTAL SHEETS 213 SHEET NO. 135 CONTRACT NO. 66H62
SCALE: SHEET 14 OF 17 SHEETS STA. TO STA.				ILLINOIS FED. AID PROJECT Long Section Number	



LEGEND

<ul style="list-style-type: none"> DIRECTION INDICATOR BARRICADE WITH STEADY BURN MONODIRECTIONAL LIGHT DRUMS WITH MONO-DIRECTIONAL STEADY BURNING LIGHTS DIRECTION OF TRAFFIC IMPACT ATTENUATOR, TEMPORARY (NON-REDIRECTIVE TL 3) TEMPORARY CONCRETE BARRIER 	<ul style="list-style-type: none"> ARROW BOARD CLASS A PATCHING UNDER STRUCTURES WORK ZONE 	<ul style="list-style-type: none"> EXISTING PAVEMENT MARKING TEMPORARY PAVEMENT MARKING TYPE IV TAPE - WHITE TEMPORARY PAVEMENT MARKING TYPE IV TAPE - YELLOW SHORT TERM PAVEMENT MARKING
---	--	---

NOTES:
 ALTERATIONS TO THE TRAFFIC CONTROL PLAN SHALL BE APPROVED BY THE ENGINEER.
 USE TRAFFIC CONTROL STANDARD 701400 & 701401/701402 FOR STAGE 1 WORKZONE. USE 701411 & 701456 FOR ALL RAMPS.
 (NOT ALL TRAFFIC CONTROL DEVICES & SIGNING SHOWN) ADJUST RAMP OPENINGS IF REQUIRED.



△ 1 REV. 2/20/2024 JZ

MODEL: Stage 1 Sheets
 FILE NAME: I:\Users\jzagar\OneDrive\Documents\DOT\Office\Shared\3CRD\Project\666\662\CAD\Drawings\66662_Plan_Stage 1

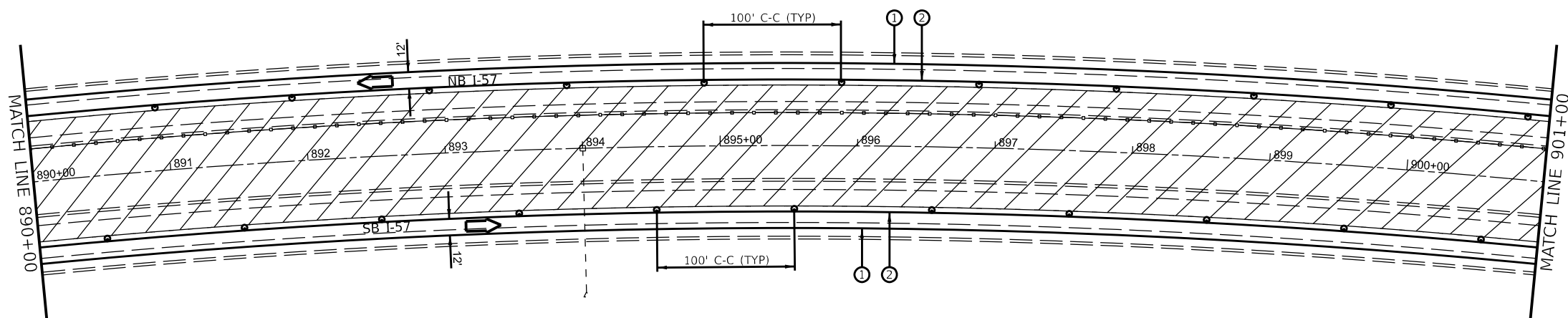
USER NAME = Joseph.Zagar	DESIGNED -	REVISED -
DRAWN -	REVISED -	
PLOT SCALE = \$SCALE\$	CHECKED -	REVISED -
PLOT DATE = 2/20/2024	DATE -	REVISED -

STATE OF ILLINOIS
DEPARTMENT OF TRANSPORTATION

STAGE 1 TRAFFIC CONTROL			
SCALE:	SHEET 15	OF 17 SHEETS	STA. TO STA.

F.A.I. RTE.	SECTION	COUNTY	TOTAL SHEETS	SHEET NO.
57	(38-6,38-5)RS,BRR,CLV	IROQUOIS	213	136
CONTRACT NO. 66H62				
ILLINOIS FED. AID PROJECT				

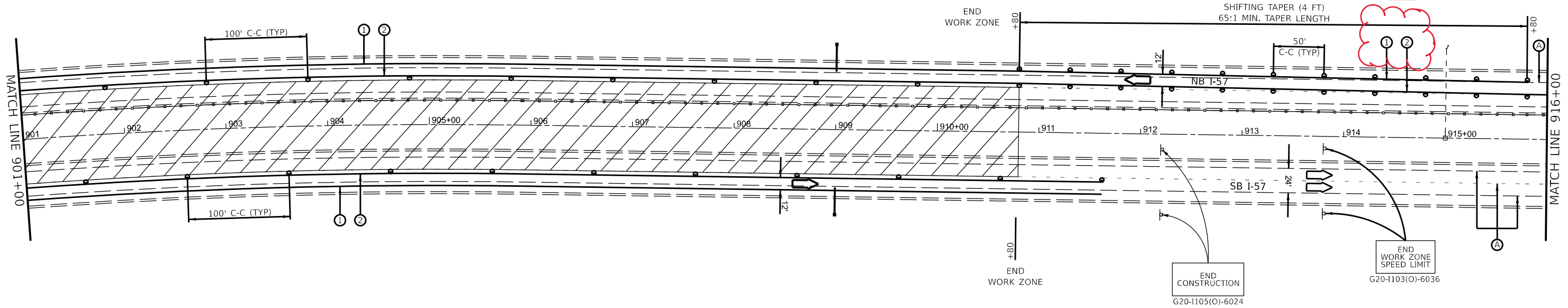
Long Section Number



LEGEND

- DIRECTION INDICATOR BARRICADE WITH STEADY BURN MONODIRECTIONAL LIGHT
- DRUMS WITH MONO-DIRECTIONAL STEADY BURNING LIGHTS
- DIRECTION OF TRAFFIC
- IMPACT ATTENUATOR, TEMPORARY (NON-REDIRECTIVE TL 3)
- TEMPORARY CONCRETE BARRIER
- ARROW BOARD
- CLASS A PATCHING UNDER STRUCTURES
- WORK ZONE
- (A) EXISTING PAVEMENT MARKING
- (1) TEMPORARY PAVEMENT MARKING TYPE IV TAPE - WHITE
- (2) TEMPORARY PAVEMENT MARKING TYPE IV TAPE - YELLOW
- (3) SHORT TERM PAVEMENT MARKING

NOTES:
 ALTERATIONS TO THE TRAFFIC CONTROL PLAN SHALL BE APPROVED BY THE ENGINEER.
 USE TRAFFIC CONTROL STANDARD 701400 & 701401/701402 FOR STAGE 1 WORKZONE. USE 701411 & 701456 FOR ALL RAMP.
 (NOT ALL TRAFFIC CONTROL DEVICES & SIGNING SHOWN) ADJUST RAMP OPENINGS IF REQUIRED.



REV. 2/20/2024 JZ

MODEL: Stage 1 Sheets
 FILE NAME: P:\000\p06\hardway.com\PI\DOT\Documents\I\DOT\Office\B\1613\CRD\Project\0384\462\CAD\Drawings\66H62_Plan_Stage 1

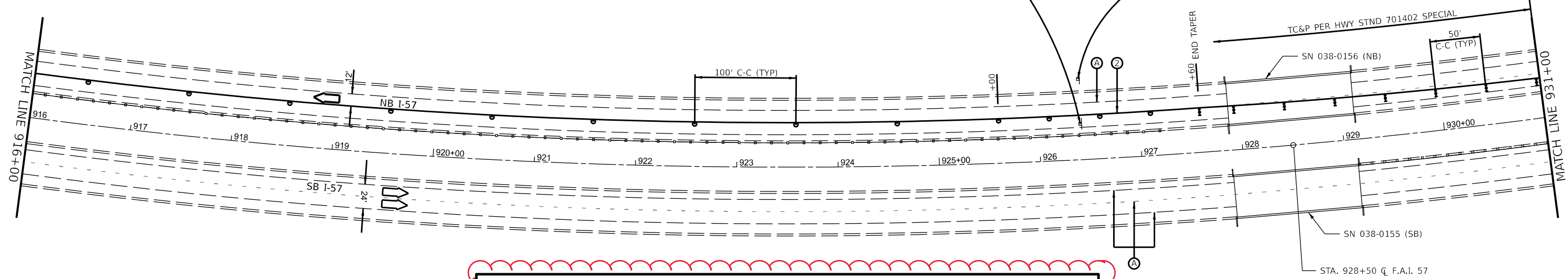
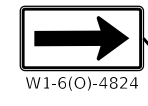
USER NAME = Joseph.Zagar	DESIGNED -	REVISED -
DRAWN -	REVISIONS -	
PLOT SCALE = \$SCALE\$	CHECKED -	REVISED -
PLOT DATE = 2/20/2024	DATE -	REVISED -

**STATE OF ILLINOIS
DEPARTMENT OF TRANSPORTATION**

STAGE 1 TRAFFIC CONTROL			
SCALE:	SHEET 16	OF 17 SHEETS	STA. TO STA.

F.A.I. RTE.	SECTION	COUNTY	TOTAL SHEETS	SHEET NO.
57	(38-6,38-5)RS,BRR,CLV	IROQUOIS	213	137
CONTRACT NO. 66H62				
ILLINOIS FED. AID PROJECT				

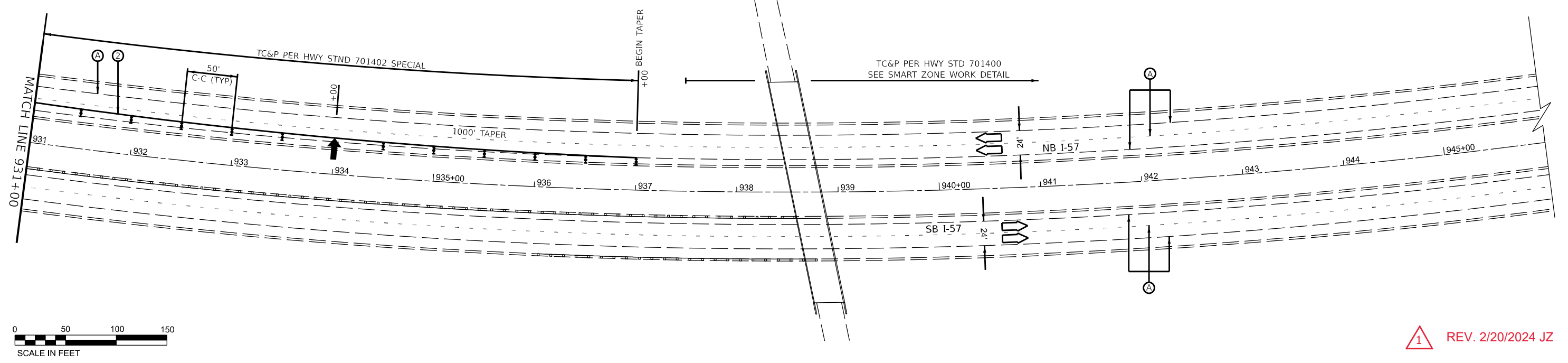
Long Section Number



LEGEND

- DIRECTION INDICATOR BARRICADE WITH STEADY BURN MONODIRECTIONAL LIGHT
- DRUMS WITH MONO-DIRECTIONAL STEADY BURNING LIGHTS
- DIRECTION OF TRAFFIC
- IMPACT ATTENUATOR, TEMPORARY (NON-REDIRECTIVE TL 3)
- TEMPORARY CONCRETE BARRIER
- ARROW BOARD
- CLASS A PATCHING UNDER STRUCTURES
- WORK ZONE
- EXISTING PAVEMENT MARKING
- TEMPORARY PAVEMENT MARKING TYPE IV TAPE - WHITE
- TEMPORARY PAVEMENT MARKING TYPE IV TAPE - YELLOW
- SHORT TERM PAVEMENT MARKING

NOTES:
 ALTERATIONS TO THE TRAFFIC CONTROL PLAN SHALL BE APPROVED BY THE ENGINEER.
 USE TRAFFIC CONTROL STANDARD 701400 & 701401/701402 FOR STAGE 1 WORKZONE. USE 701411 & 701456 FOR ALL RAMP.
 (NOT ALL TRAFFIC CONTROL DEVICES & SIGNING SHOWN) ADJUST RAMP OPENINGS IF REQUIRED.



REV. 2/20/2024 JZ

MODEL - Stage 1 Sheets
 FILE NAME - I:\Projects\66H62\66H62-CADD\Drawings\66H62-Plan_Stage 1

USER NAME = Joseph.Zagar	DESIGNED -	REVISED -
DRAWN -	REVISOR -	
PLOT SCALE = \$SCALE\$	CHECKED -	REVISOR -
PLOT DATE = 2/20/2024	DATE -	REVISOR -

**STATE OF ILLINOIS
DEPARTMENT OF TRANSPORTATION**

STAGE 1 TRAFFIC CONTROL

SCALE: SHEET 17 OF 17 SHEETS STA. TO STA.

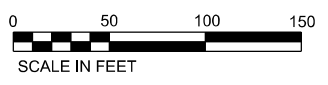
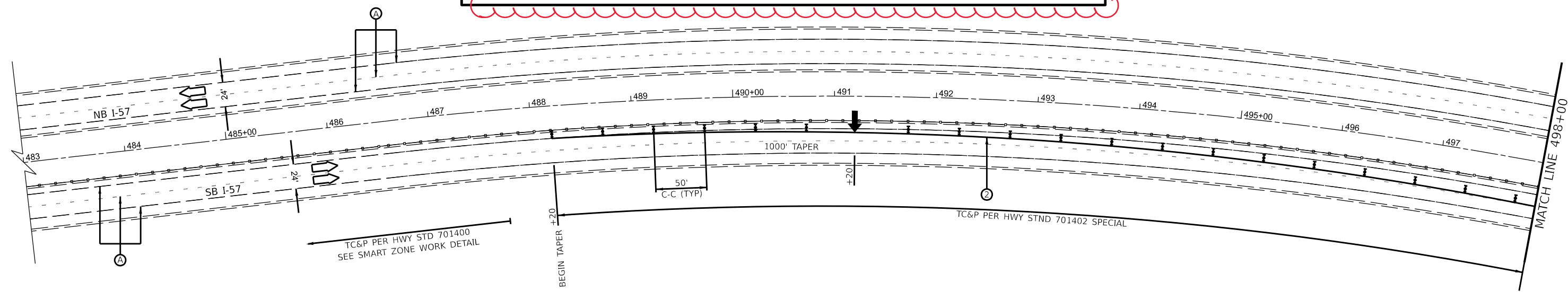
F.A.I. RTE.	SECTION	COUNTY	TOTAL SHEETS	SHEET NO.
57	(38-6,38-5)RS,BRR,CLV	IROQUOIS	213	138
CONTRACT NO. 66H62				
ILLINOIS FED. AID PROJECT				

Long Section Number

LEGEND

- DIRECTION INDICATOR BARRICADE WITH STEADY BURN MONODIRECTIONAL LIGHT
- DRUMS WITH MONO-DIRECTIONAL STEADY BURNING LIGHTS
- DIRECTION OF TRAFFIC
- IMPACT ATTENUATOR, TEMPORARY (NON-REDIRECTIVE TL 3)
- TEMPORARY CONCRETE BARRIER
- ARROW BOARD
- CLASS A PATCHING UNDER STRUCTURES
- WORK ZONE
- (A) EXISTING PAVEMENT MARKING
- (1) TEMPORARY PAVEMENT MARKING TYPE IV TAPE - WHITE
- (2) TEMPORARY PAVEMENT MARKING TYPE IV TAPE - YELLOW
- (3) SHORT TERM PAVEMENT MARKING

NOTES:
 ALTERATIONS TO THE TRAFFIC CONTROL PLAN SHALL BE APPROVED BY THE ENGINEER.
 USE TRAFFIC CONTROL STANDARDS 701400, 701401/701402 & 701406 FOR STAGE 2 WORKZONE. USE 701411 & 701456 FOR ALL RAMP.
 (NOT ALL TRAFFIC CONTROL DEVICES & SIGNING SHOWN) ADJUST RAMP OPENINGS IF REQUIRED.



REV. 2/20/2024 JZ

MODEL STAGE 2 PLAN SHEETS
 FILE NAME: P:\Illinois\Projects\66H62\CD\Drawings\66H62_Plan_Stage 2

USER NAME = Joseph.Zagar	DESIGNED -	REVISED -
PLOT SCALE = \$\$SCALE\$	DRAWN -	REVISED -
PLOT DATE = 2/20/2024	CHECKED -	REVISED -
	DATE -	REVISED -

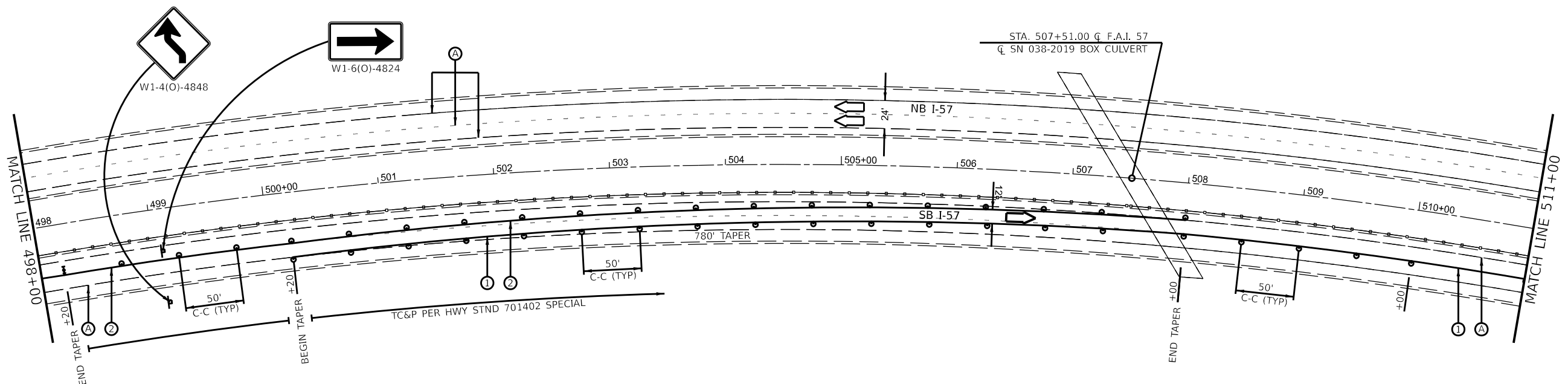
**STATE OF ILLINOIS
 DEPARTMENT OF TRANSPORTATION**

STAGE 2 TRAFFIC CONTROL

SCALE: SHEET 1 OF 17 SHEETS STA. TO STA.

F.A.I. RTE.	SECTION	COUNTY	TOTAL SHEETS	SHEET NO.
57	(38-6,38-5)RS,BRR,CLV	IROQUOIS	213	139
CONTRACT NO. 66H62				
ILLINOIS FED. AID PROJECT				

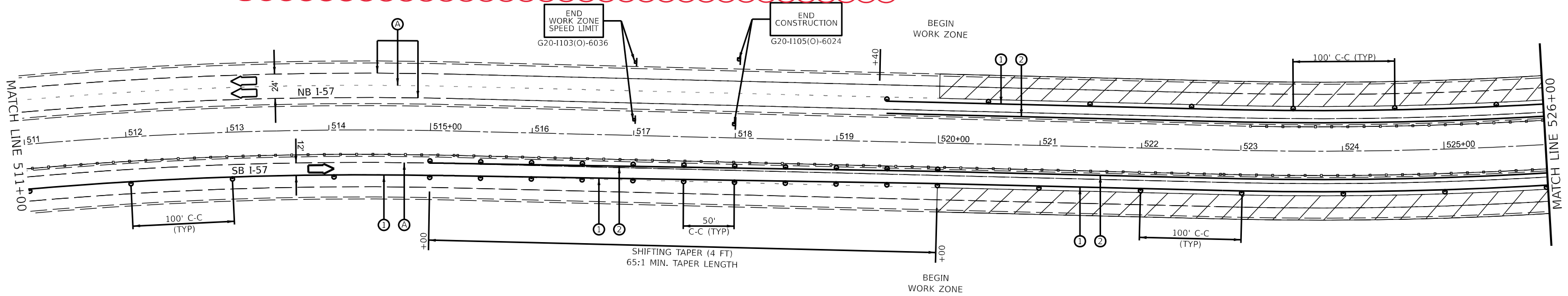
Long Section Number



LEGEND

- DIRECTION INDICATOR BARRICADE WITH STEADY BURN MONODIRECTIONAL LIGHT
- DRUMS WITH MONO-DIRECTIONAL STEADY BURNING LIGHTS
- DIRECTION OF TRAFFIC
- IMPACT ATTENUATOR, TEMPORARY (NON-REDIRECTIVE TL 3)
- TEMPORARY CONCRETE BARRIER
- ARROW BOARD
- CLASS A PATCHING UNDER STRUCTURES
- WORK ZONE
- EXISTING PAVEMENT MARKING
- TEMPORARY PAVEMENT MARKING TYPE IV TAPE - WHITE
- TEMPORARY PAVEMENT MARKING TYPE IV TAPE - YELLOW
- SHORT TERM PAVEMENT MARKING

NOTES:
 ALTERATIONS TO THE TRAFFIC CONTROL PLAN SHALL BE APPROVED BY THE ENGINEER.
 USE TRAFFIC CONTROL STANDARDS 701400, 701401/701402 & 701406 FOR STAGE 2 WORKZONE. USE 701411 & 701456 FOR ALL RAMP.
 (NOT ALL TRAFFIC CONTROL DEVICES & SIGNING SHOWN) ADJUST RAMP OPENINGS IF REQUIRED.



1 REV. 2/20/2024 JZ

MODEL STAGE 2 PLAN SHEETS
 FILE NAME: P:\Illinois\Projects\2024\66666\DOT\Documents\DOT\Office\Billed\3\ORD\Project\038462\CADD\Drawings\66666\Plan_Sheet_2

USER NAME = Joseph.Zagar	DESIGNED -	REVISED -
DRAWN -	REVISOR -	
PLOT SCALE = \$SCALE\$	CHECKED -	REVISED -
PLOT DATE = 2/20/2024	DATE -	REVISED -

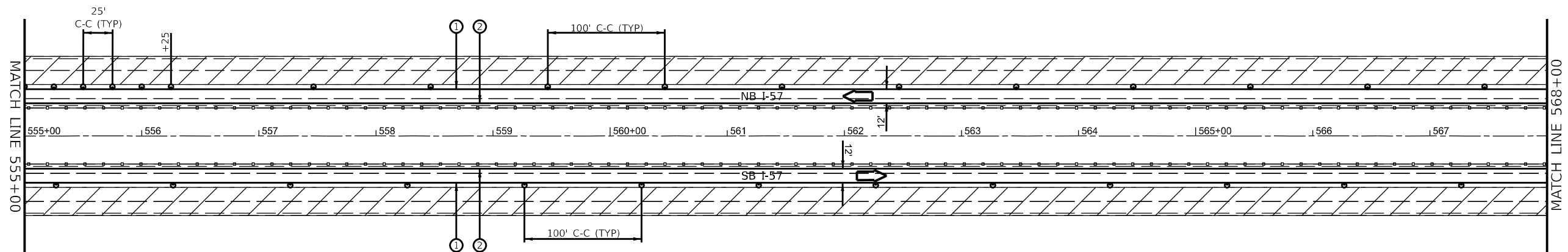
**STATE OF ILLINOIS
 DEPARTMENT OF TRANSPORTATION**

STAGE 2 TRAFFIC CONTROL

SCALE: SHEET 2 OF 17 SHEETS STA. TO STA.

F.A.I. RTE.	SECTION	COUNTY	TOTAL SHEETS	SHEET NO.
57	(38-6,38-5)RS,BRR,CLV	IROQUOIS	213	140
CONTRACT NO. 66H62				
ILLINOIS FED. AID PROJECT				

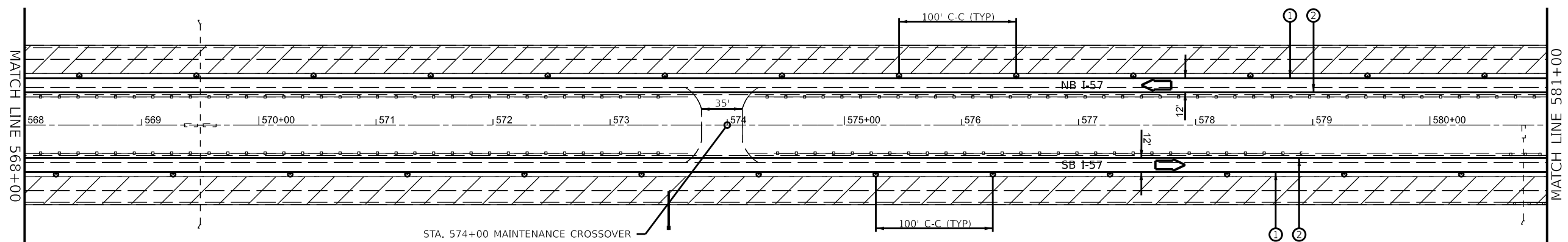
Long Section Number



LEGEND

<ul style="list-style-type: none"> DIRECTION INDICATOR BARRICADE WITH STEADY BURN MONODIRECTIONAL LIGHT DRUMS WITH MONO-DIRECTIONAL STEADY BURNING LIGHTS DIRECTION OF TRAFFIC IMPACT ATTENUATOR, TEMPORARY (NON-REDIRECTIVE TL 3) TEMPORARY CONCRETE BARRIER 	<ul style="list-style-type: none"> ARROW BOARD CLASS A PATCHING UNDER STRUCTURES WORK ZONE 	<ul style="list-style-type: none"> (A) EXISTING PAVEMENT MARKING (1) TEMPORARY PAVEMENT MARKING TYPE IV TAPE - WHITE (2) TEMPORARY PAVEMENT MARKING TYPE IV TAPE - YELLOW (3) SHORT TERM PAVEMENT MARKING
---	--	---

NOTES:
 ALTERATIONS TO THE TRAFFIC CONTROL PLAN SHALL BE APPROVED BY THE ENGINEER.
 USE TRAFFIC CONTROL STANDARDS 701400, 701401/701402 & 701406 FOR STAGE 2 WORKZONE. USE 701411 & 701456 FOR ALL RAMP. (NOT ALL TRAFFIC CONTROL DEVICES & SIGNING SHOWN) ADJUST RAMP OPENINGS IF REQUIRED.



REV. 2/20/2024 JZ

MODEL STAGE 2 PLAN SHEETS
 FILE NAME: P:\Illinois\Projects\66H62\CD\Drawings\CD\Drawings\66H62_Plan_Stage 2

USER NAME = Joseph.Zagar	DESIGNED -	REVISED -	
	DRAWN -	REVISED -	
PLOT SCALE = \$SCALE\$	CHECKED -	REVISED -	
PLOT DATE = 2/20/2024	DATE -	REVISED -	

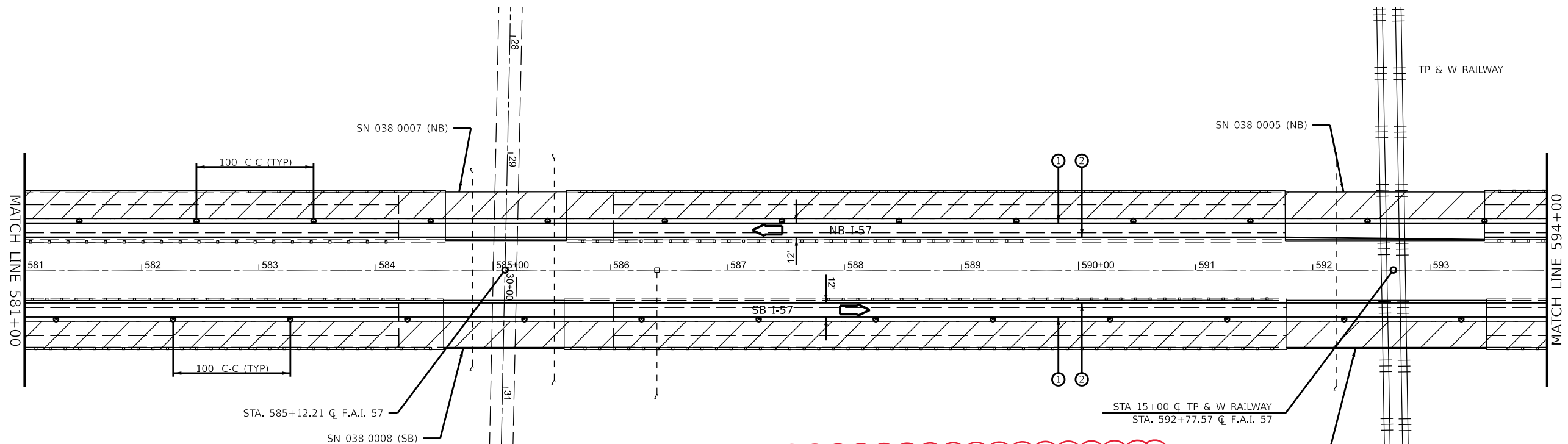
**STATE OF ILLINOIS
 DEPARTMENT OF TRANSPORTATION**

STAGE 2 TRAFFIC CONTROL

SCALE: SHEET 4 OF 17 SHEETS STA. TO STA.

F.A.I. RTE.	SECTION	COUNTY	TOTAL SHEETS	SHEET NO.
57	(38-6,38-5)RS,BRR,CLV	IROQUOIS	213	142
CONTRACT NO. 66H62				
ILLINOIS FED. AID PROJECT				

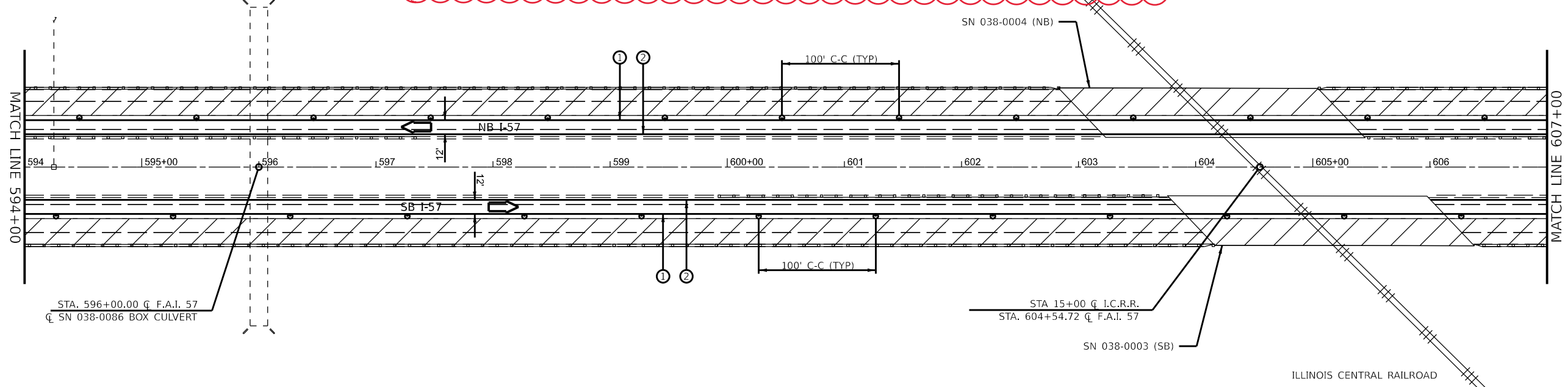
Long Section Number



LEGEND

- DIRECTION INDICATOR BARRICADE WITH STEADY BURN MONODIRECTIONAL LIGHT
- DRUMS WITH MONO-DIRECTIONAL STEADY BURNING LIGHTS
- DIRECTION OF TRAFFIC
- IMPACT ATTENUATOR, TEMPORARY (NON-REDIRECTIVE TL 3)
- TEMPORARY CONCRETE BARRIER
- ARROW BOARD
- CLASS A PATCHING UNDER STRUCTURES
- WORK ZONE
- (A) EXISTING PAVEMENT MARKING
- (1) TEMPORARY PAVEMENT MARKING TYPE IV TAPE - WHITE
- (2) TEMPORARY PAVEMENT MARKING TYPE IV TAPE - YELLOW
- (3) SHORT TERM PAVEMENT MARKING

NOTES:
 ALTERATIONS TO THE TRAFFIC CONTROL PLAN SHALL BE APPROVED BY THE ENGINEER.
 USE TRAFFIC CONTROL STANDARDS 701400, 701401/701402 & 701406 FOR STAGE 2 WORKZONE. USE 701411 & 701456 FOR ALL RAMP.
 (NOT ALL TRAFFIC CONTROL DEVICES & SIGNING SHOWN) ADJUST RAMP OPENINGS IF REQUIRED.



REV. 2/20/2024 JZ

MODEL STAGE 2 PLAN SHEETS
 FILE NAME: P:\Illinois\Projects\2024\2024-03-01\DOT\CD\Drawings\66H62_Plan_Sstage2

USER NAME = Joseph.Zagar	DESIGNED -	REVISED -
DRAWN -	REVISED -	
PLOT SCALE = \$SCALE\$	CHECKED -	REVISED -
PLOT DATE = 2/20/2024	DATE -	REVISED -

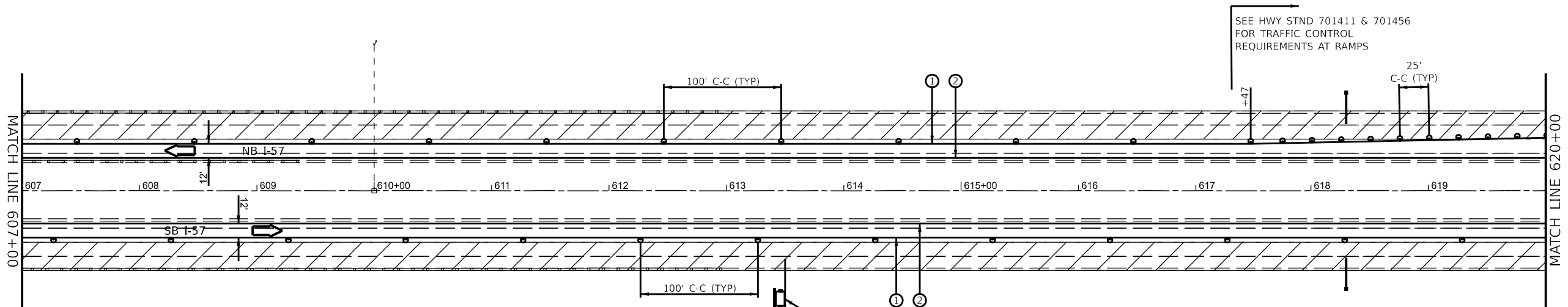
**STATE OF ILLINOIS
 DEPARTMENT OF TRANSPORTATION**

STAGE 2 TRAFFIC CONTROL

SCALE: SHEET 5 OF 17 SHEETS STA. TO STA.

F.A.I. RTE.	SECTION	COUNTY	TOTAL SHEETS	SHEET NO.
57	(38-6.38-5)RS,BRR,CLV	IROQUOIS	213	143
CONTRACT NO. 66H62				
ILLINOIS FED. AID PROJECT				

Long Section Number



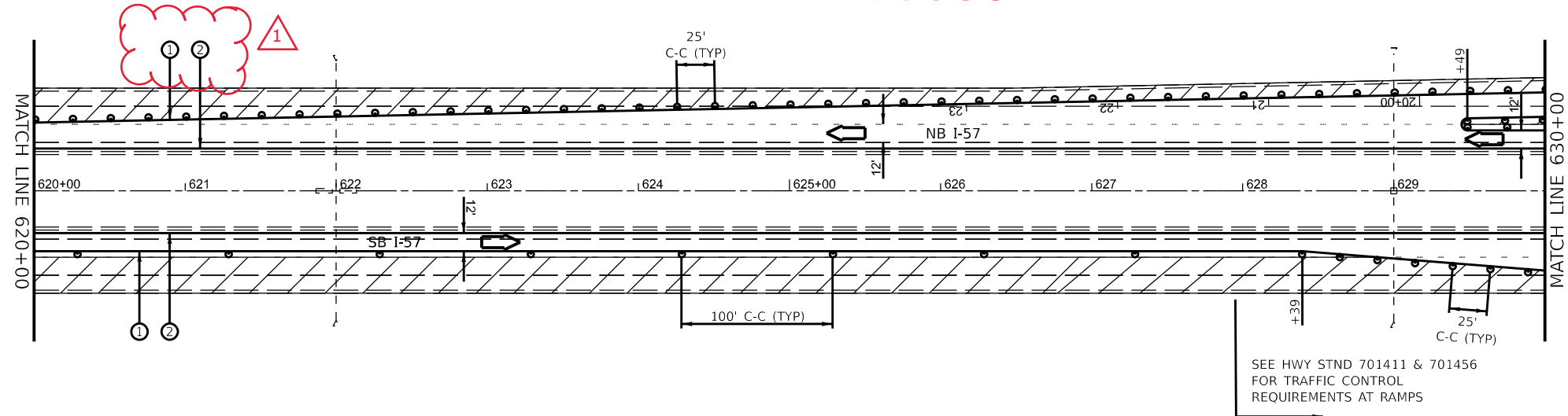
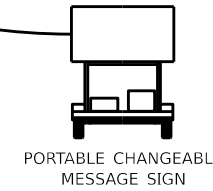
SEE HWY STND 701411 & 701456 FOR TRAFFIC CONTROL REQUIREMENTS AT RAMPS



LEGEND

- DIRECTION INDICATOR BARRICADE WITH STEADY BURN MONODIRECTIONAL LIGHT
- DRUMS WITH MONO-DIRECTIONAL STEADY BURNING LIGHTS
- DIRECTION OF TRAFFIC
- IMPACT ATTENUATOR, TEMPORARY (NON-REDIRECTIVE TL 3)
- TEMPORARY CONCRETE BARRIER
- ARROW BOARD
- CLASS A PATCHING UNDER STRUCTURES
- WORK ZONE
- EXISTING PAVEMENT MARKING
- TEMPORARY PAVEMENT MARKING TYPE IV TAPE - WHITE
- TEMPORARY PAVEMENT MARKING TYPE IV TAPE - YELLOW
- SHORT TERM PAVEMENT MARKING

NOTES:
 ALTERATIONS TO THE TRAFFIC CONTROL PLAN SHALL BE APPROVED BY THE ENGINEER.
 USE TRAFFIC CONTROL STANDARDS 701400, 701401/701402 & 701406 FOR STAGE 2 WORKZONE. USE 701411 & 701456 FOR ALL RAMPS.
 (NOT ALL TRAFFIC CONTROL DEVICES & SIGNING SHOWN) ADJUST RAMP OPENINGS IF REQUIRED.



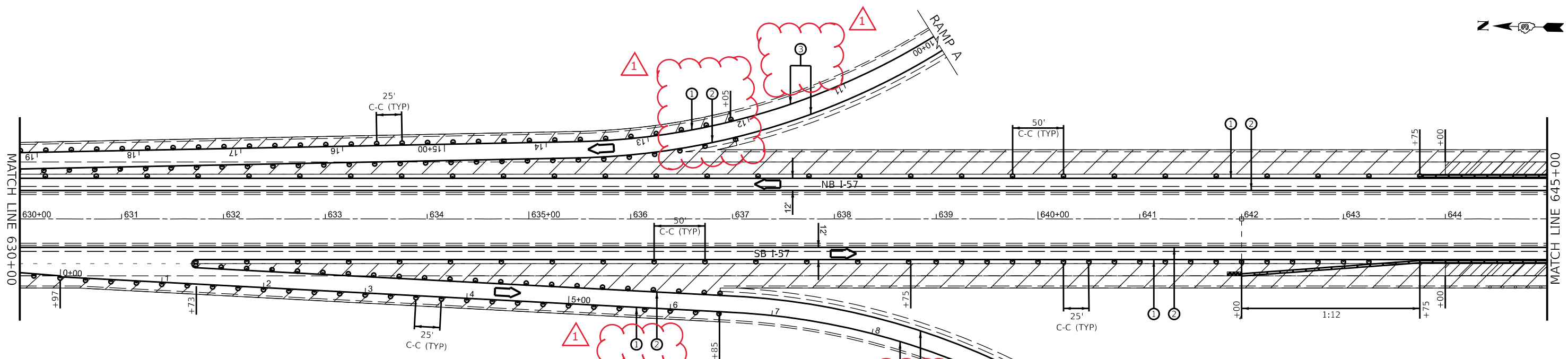
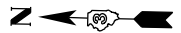
SEE HWY STND 701411 & 701456 FOR TRAFFIC CONTROL REQUIREMENTS AT RAMPS



MODEL STAGE 2 PLAN SHEETS
 FILE NAME: P:\Illinois\Projects\2024\66H62\66H62-CAD\Drawings\66H62-Plan-Stage 2

REV. 2/20/2024 JZ

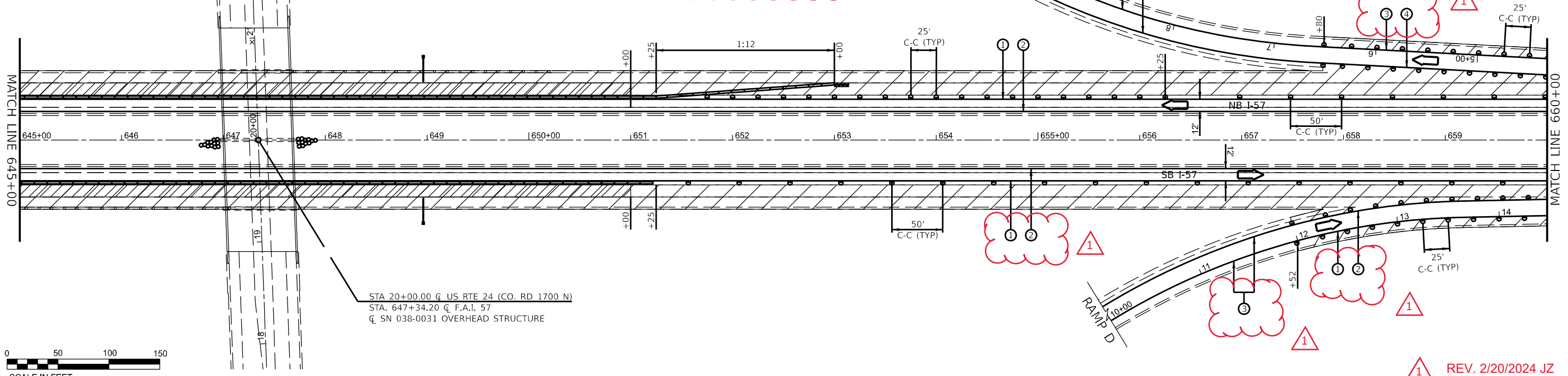
USER NAME = Joseph.Zagar PLOT SCALE = \$SCALE\$ PLOT DATE = 2/20/2024	DESIGNED - DRAWN -	REVISED - REVISED -	STATE OF ILLINOIS DEPARTMENT OF TRANSPORTATION	STAGE 2 TRAFFIC CONTROL			F.A.I. RTE. 57	SECTION (38-6,38-5)RS,BRR,CLV	COUNTY IROQUOIS	TOTAL SHEETS 213	SHEET NO. 144
	CHECKED - DATE -	REVISED - REVISED -		SCALE:	SHEET 6 OF 17 SHEETS	STA.	TO STA.	CONTRACT NO. 66H62 ILLINOIS FED. AID PROJECT Long Section Number			



LEGEND

- DIRECTION INDICATOR BARRICADE WITH STEADY BURN MONODIRECTIONAL LIGHT
- DRUMS WITH MONO-DIRECTIONAL STEADY BURNING LIGHTS
- DIRECTION OF TRAFFIC
- IMPACT ATTENUATOR, TEMPORARY (NON-REDIRECTIVE TL 3)
- TEMPORARY CONCRETE BARRIER
- ARROW BOARD
- CLASS A PATCHING UNDER STRUCTURES
- WORK ZONE
- (A) EXISTING PAVEMENT MARKING
- (1) TEMPORARY PAVEMENT MARKING TYPE IV TAPE - WHITE
- (2) TEMPORARY PAVEMENT MARKING TYPE IV TAPE - YELLOW
- (3) SHORT TERM PAVEMENT MARKING

NOTES:
 ALTERATIONS TO THE TRAFFIC CONTROL PLAN SHALL BE APPROVED BY THE ENGINEER.
 USE TRAFFIC CONTROL STANDARDS 701400, 701401/701402 & 701406 FOR STAGE 2 WORKZONE. USE 701411 & 701456 FOR ALL RAMP.
 (NOT ALL TRAFFIC CONTROL DEVICES & SIGNING SHOWN) ADJUST RAMP OPENINGS IF REQUIRED.



STA 20+00.00 @ US RTE 24 (CO. RD 1700 N)
 STA. 647+34.20 @ F.A.I. 57
 @ SN 038-0031 OVERHEAD STRUCTURE

REV. 2/20/2024 JZ

MODEL STAGE 2 PLAN SHEETS
 FILE NAME: P:\Illinois\Projects\DOT\Documents\DOT Office\Bridges\3-CRD\Project\038\BRR\CLV\CAD\Drawings\66H62_Plan_Stage2

USER NAME = Joseph.Zagar	DESIGNED -	REVISED -
PLOT SCALE = \$SCALE\$	DRAWN -	REVISED -
PLOT DATE = 2/20/2024	CHECKED -	REVISED -
	DATE -	REVISED -

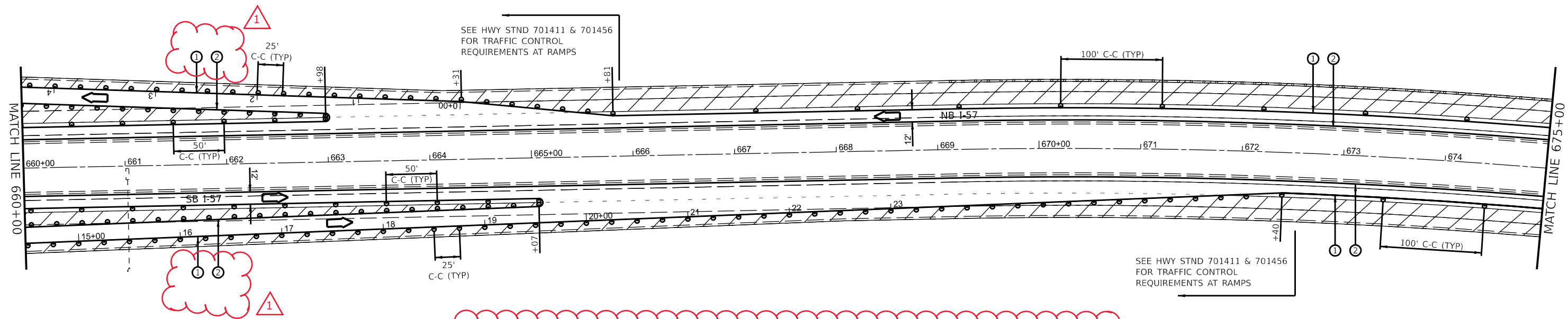
**STATE OF ILLINOIS
 DEPARTMENT OF TRANSPORTATION**

STAGE 2 TRAFFIC CONTROL

SCALE: SHEET 7 OF 17 SHEETS STA. TO STA.

F.A.I. RTE.	SECTION	COUNTY	TOTAL SHEETS	SHEET NO.
57	(38-6,38-5)RS,BRR,CLV	IROQUOIS	213	145
CONTRACT NO. 66H62				

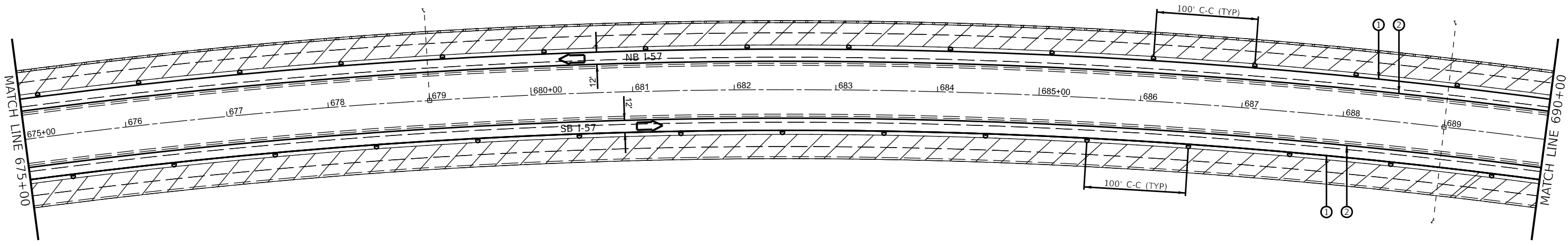
ILLINOIS FED. AID PROJECT Long Section Number



LEGEND

- DIRECTION INDICATOR BARRICADE WITH STEADY BURN MONODIRECTIONAL LIGHT
- DRUMS WITH MONO-DIRECTIONAL STEADY BURNING LIGHTS
- DIRECTION OF TRAFFIC
- IMPACT ATTENUATOR, TEMPORARY (NON-REDIRECTIVE TL 3)
- TEMPORARY CONCRETE BARRIER
- ARROW BOARD
- CLASS A PATCHING UNDER STRUCTURES
- WORK ZONE
- (A) EXISTING PAVEMENT MARKING
- (1) TEMPORARY PAVEMENT MARKING TYPE IV TAPE - WHITE
- (2) TEMPORARY PAVEMENT MARKING TYPE IV TAPE - YELLOW
- (3) SHORT TERM PAVEMENT MARKING

NOTES:
 ALTERATIONS TO THE TRAFFIC CONTROL PLAN SHALL BE APPROVED BY THE ENGINEER.
 USE TRAFFIC CONTROL STANDARDS 701400, 701401/701402 & 701406 FOR STAGE 2 WORKZONE. USE 701411 & 701456 FOR ALL RAMPS.
 (NOT ALL TRAFFIC CONTROL DEVICES & SIGNING SHOWN) ADJUST RAMP OPENINGS IF REQUIRED.



REV. 2/20/2024 JZ

MODEL STAGE 2 PLAN SHEETS
 FILE NAME: P:\projects\2024\6662\6662-Plan-Stage 2

USER NAME = Joseph.Zagar	DESIGNED -	REVISED -
PLOT SCALE = \$SCALE\$	DRAWN -	REVISED -
PLOT DATE = 2/20/2024	CHECKED -	REVISED -
	DATE -	REVISED -

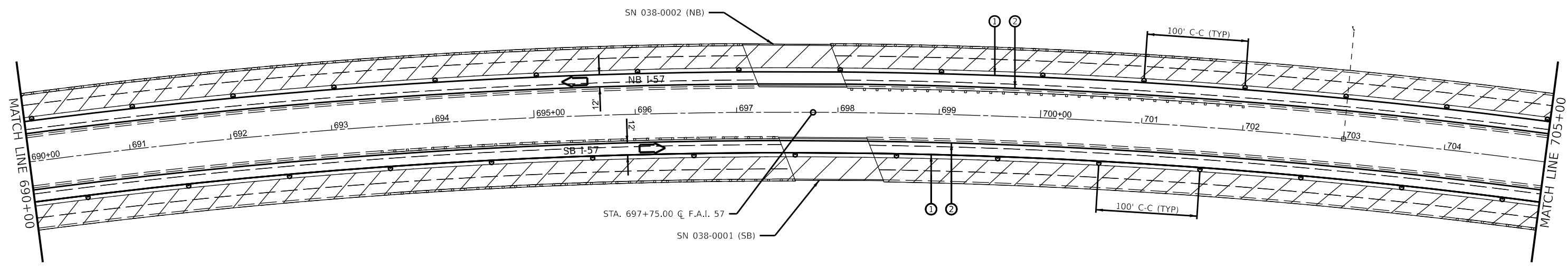
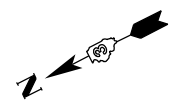
**STATE OF ILLINOIS
 DEPARTMENT OF TRANSPORTATION**

STAGE 2 TRAFFIC CONTROL

SCALE: SHEET 8 OF 17 SHEETS STA. TO STA.

F.A.I. RTE.	SECTION	COUNTY	TOTAL SHEETS	SHEET NO.
57	(38-6,38-5)RS,BRR,CLV	IROQUOIS	213	146
CONTRACT NO. 66H62				
ILLINOIS FED. AID PROJECT				

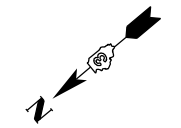
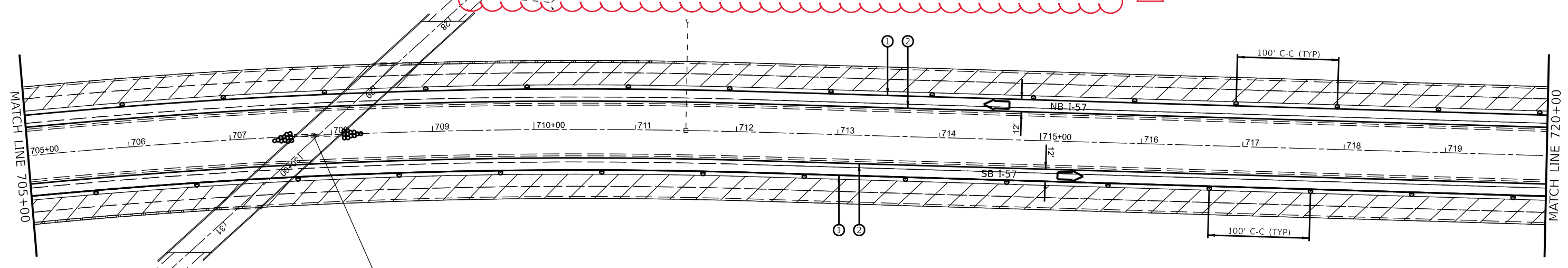
Long Section Number



LEGEND

<ul style="list-style-type: none"> DIRECTION INDICATOR BARRICADE WITH STEADY BURN MONODIRECTIONAL LIGHT DRUMS WITH MONO-DIRECTIONAL STEADY BURNING LIGHTS DIRECTION OF TRAFFIC IMPACT ATTENUATOR, TEMPORARY (NON-REDIRECTIVE TL 3) TEMPORARY CONCRETE BARRIER 	<ul style="list-style-type: none"> ARROW BOARD CLASS A PATCHING UNDER STRUCTURES WORK ZONE 	<ul style="list-style-type: none"> (A) EXISTING PAVEMENT MARKING (1) TEMPORARY PAVEMENT MARKING TYPE IV TAPE - WHITE (2) TEMPORARY PAVEMENT MARKING TYPE IV TAPE - YELLOW (3) SHORT TERM PAVEMENT MARKING
---	--	---

NOTES:
 ALTERATIONS TO THE TRAFFIC CONTROL PLAN SHALL BE APPROVED BY THE ENGINEER.
 USE TRAFFIC CONTROL STANDARDS 701400, 701401/701402 & 701406 FOR STAGE 2 WORKZONE. USE 701411 & 701456 FOR ALL RAMP.
 (NOT ALL TRAFFIC CONTROL DEVICES & SIGNING SHOWN) ADJUST RAMP OPENINGS IF REQUIRED.



MODEL STAGE 2 PLAN SHEETS
 FILE NAME: P:\Illinois\66H62\Documents\DOT Office\Bridges\I-57\CD\Drawings\66H62_Plan_Sheet_2

STA 29+73.13 Q CO. RD 600 E
 STA. 707+86.74 Q F.A.I. 57
 Q SN 038-0129 OVERHEAD STRUCTURE

REV. 2/20/2024 JZ

USER NAME = Joseph.Zagar	DESIGNED -	REVISED -	
	DRAWN -	REVISED -	
PLOT SCALE = \$SCALE\$	CHECKED -	REVISED -	
PLOT DATE = 2/20/2024	DATE -	REVISED -	

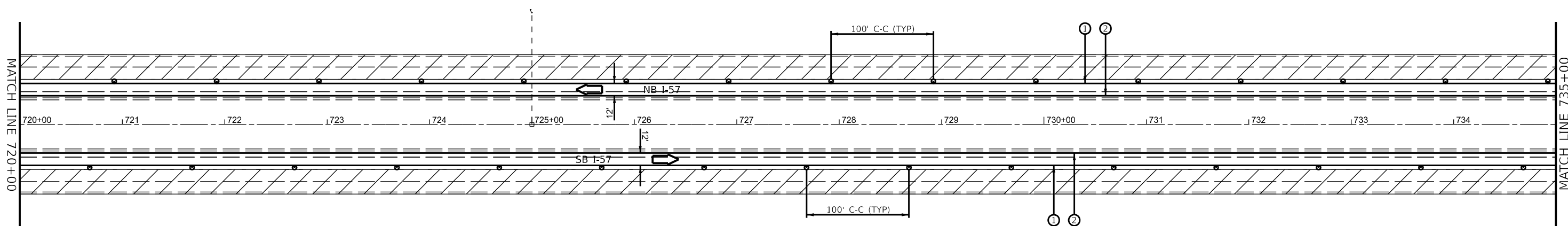
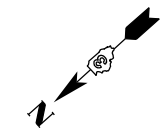
**STATE OF ILLINOIS
 DEPARTMENT OF TRANSPORTATION**

STAGE 2 TRAFFIC CONTROL

SCALE: SHEET 9 OF 17 SHEETS STA. TO STA.

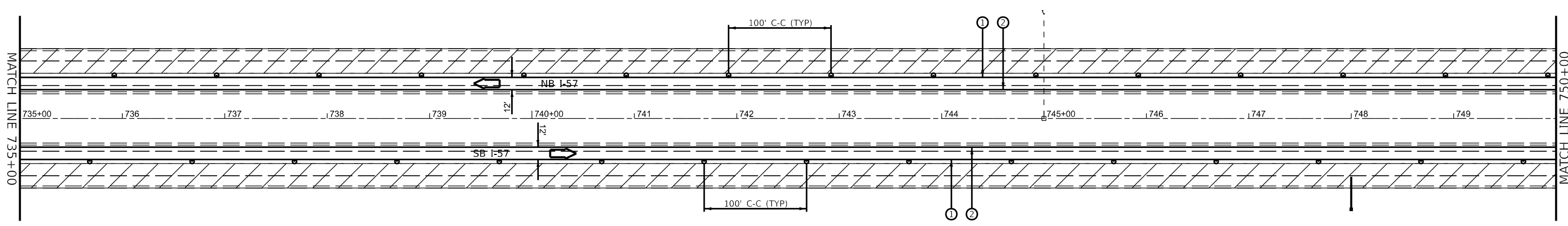
F.A.I. RTE.	SECTION	COUNTY	TOTAL SHEETS	SHEET NO.
57	(38-6,38-5)RS,BRR,CLV	IROQUOIS	213	147
CONTRACT NO. 66H62				
ILLINOIS FED. AID PROJECT				

Long Section Number



LEGEND			
	DIRECTION INDICATOR BARRICADE WITH STEADY BURN MONODIRECTIONAL LIGHT		ARROW BOARD
	DRUMS WITH MONO-DIRECTIONAL STEADY BURNING LIGHTS		CLASS A PATCHING UNDER STRUCTURES
	DIRECTION OF TRAFFIC		WORK ZONE
	IMPACT ATTENUATOR, TEMPORARY (NON-REDIRECTIVE TL 3)		EXISTING PAVEMENT MARKING
	TEMPORARY CONCRETE BARRIER		TEMPORARY PAVEMENT MARKING TYPE IV TAPE - WHITE
			TEMPORARY PAVEMENT MARKING TYPE IV TAPE - YELLOW
			SHORT TERM PAVEMENT MARKING

NOTES:
 ALTERATIONS TO THE TRAFFIC CONTROL PLAN SHALL BE APPROVED BY THE ENGINEER.
 USE TRAFFIC CONTROL STANDARDS 701400, 701401/701402 & 701406 FOR STAGE 2 WORKZONE. USE 701411 & 701456 FOR ALL RAMP.
 (NOT ALL TRAFFIC CONTROL DEVICES & SIGNING SHOWN) ADJUST RAMP OPENINGS IF REQUIRED.



REV. 2/20/2024 JZ

MODEL STAGE 2 PLAN SHEETS
 FILE NAME: P:\Illinois\Projects\66H62\CD\Drawings\CD\Drawings\66H62_Plan_Sstage_2

USER NAME = Joseph.Zagar	DESIGNED -	REVISED -
	DRAWN -	REVISED -
PLOT SCALE = \$SCALE\$	CHECKED -	REVISED -
PLOT DATE = 2/20/2024	DATE -	REVISED -

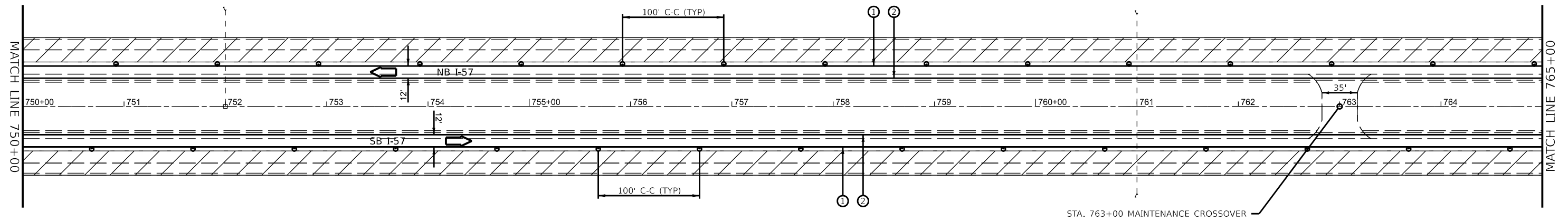
STATE OF ILLINOIS
DEPARTMENT OF TRANSPORTATION

STAGE 2 TRAFFIC CONTROL

SCALE: SHEET 10 OF 17 SHEETS STA. TO STA.

F.A.I RTE.	SECTION	COUNTY	TOTAL SHEETS	SHEET NO.
57	(38-6,38-5)RS,BRR,CLV	IROQUOIS	213	148

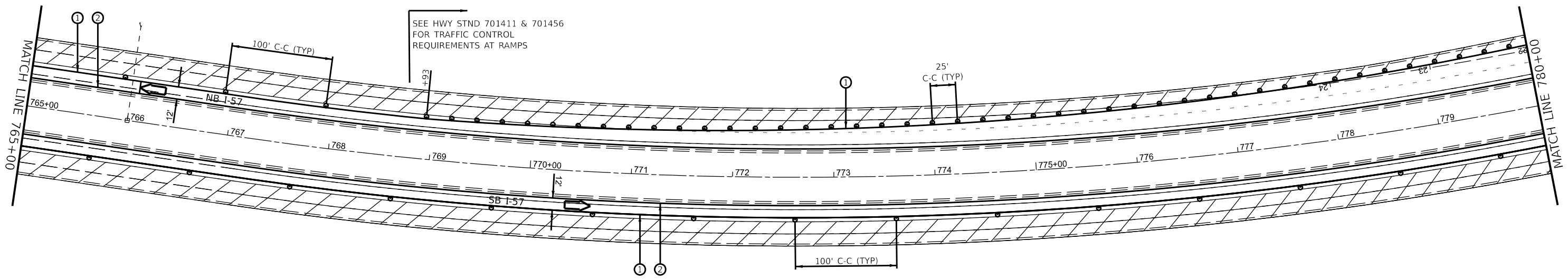
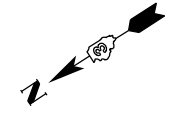
CONTRACT NO. 66H62
 ILLINOIS FED. AID PROJECT
 Long Section Number



LEGEND

- DIRECTION INDICATOR BARRICADE WITH STEADY BURN MONODIRECTIONAL LIGHT
- DRUMS WITH MONO-DIRECTIONAL STEADY BURNING LIGHTS
- DIRECTION OF TRAFFIC
- IMPACT ATTENUATOR, TEMPORARY (NON-REDIRECTIVE TL 3)
- TEMPORARY CONCRETE BARRIER
- ARROW BOARD
- CLASS A PATCHING UNDER STRUCTURES
- WORK ZONE
- (A) EXISTING PAVEMENT MARKING
- (1) TEMPORARY PAVEMENT MARKING TYPE IV TAPE - WHITE
- (2) TEMPORARY PAVEMENT MARKING TYPE IV TAPE - YELLOW
- (3) SHORT TERM PAVEMENT MARKING

NOTES:
 ALTERATIONS TO THE TRAFFIC CONTROL PLAN SHALL BE APPROVED BY THE ENGINEER.
 USE TRAFFIC CONTROL STANDARDS 701400, 701401/701402 & 701406 FOR STAGE 2 WORKZONE. USE 701411 & 701456 FOR ALL RAMP.
 (NOT ALL TRAFFIC CONTROL DEVICES & SIGNING SHOWN) ADJUST RAMP OPENINGS IF REQUIRED.



MODEL STAGE 2 PLAN SHEETS
 FILE NAME: P:\projects\2024\66H62\66H62_Stage2_Plan_Sheet_2

REV. 2/20/2024 JZ

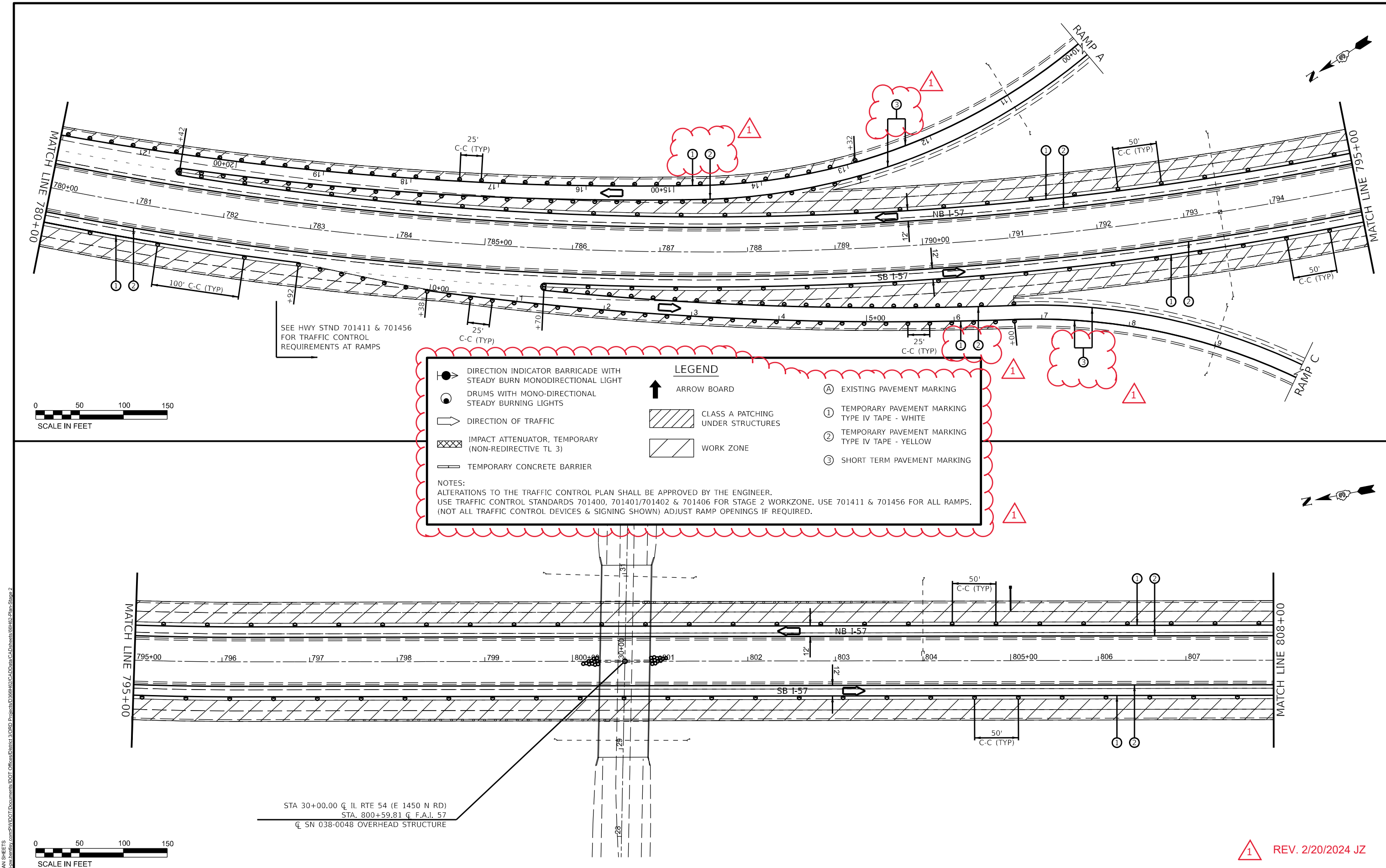
USER NAME = Joseph.Zagar	DESIGNED -	REVISED -
DRAWN -	REVISOR -	REVISION -
CHECKED -	DATE -	REVISION -
PLOT SCALE = \$SCALE\$		
PLOT DATE = 2/20/2024		

**STATE OF ILLINOIS
DEPARTMENT OF TRANSPORTATION**

STAGE 2 TRAFFIC CONTROL			
SCALE:	SHEET 11	OF 17 SHEETS	STA. TO STA.

F.A.I. RTE.	SECTION	COUNTY	TOTAL SHEETS	SHEET NO.
57	(38-6,38-5)RS,BRR,CLV	IROQUOIS	213	149
CONTRACT NO. 66H62				
ILLINOIS FED. AID PROJECT				

Long Section Number



LEGEND

- DIRECTION INDICATOR BARRICADE WITH STEADY BURN MONODIRECTIONAL LIGHT
- DRUMS WITH MONO-DIRECTIONAL STEADY BURNING LIGHTS
- DIRECTION OF TRAFFIC
- IMPACT ATTENUATOR, TEMPORARY (NON-REDIRECTIVE TL 3)
- TEMPORARY CONCRETE BARRIER
- ARROW BOARD
- CLASS A PATCHING UNDER STRUCTURES
- WORK ZONE
- (A) EXISTING PAVEMENT MARKING
- (1) TEMPORARY PAVEMENT MARKING TYPE IV TAPE - WHITE
- (2) TEMPORARY PAVEMENT MARKING TYPE IV TAPE - YELLOW
- (3) SHORT TERM PAVEMENT MARKING

NOTES:
 ALTERATIONS TO THE TRAFFIC CONTROL PLAN SHALL BE APPROVED BY THE ENGINEER.
 USE TRAFFIC CONTROL STANDARDS 701400, 701401/701402 & 701406 FOR STAGE 2 WORKZONE. USE 701411 & 701456 FOR ALL RAMP.
 (NOT ALL TRAFFIC CONTROL DEVICES & SIGNING SHOWN) ADJUST RAMP OPENINGS IF REQUIRED.



STA 30+00.00 CL IL RTE 54 (E 1450 N RD)
 STA. 800+59.81 CL F.A.I. 57
 CL SN 038-0048 OVERHEAD STRUCTURE

REV. 2/20/2024 JZ

MODEL_STAGE 2 PLAN SHEETS
 FILE NAME: P:\Information Systems\GIS\Projects\DOT\Projects\DOT\Office\Bridges\CAD\Drawings\66H62_Plan_Stage 2

USER NAME = Joseph.Zagar	DESIGNED -	REVISED -
DRAWN -	REVISOR -	REVISOR -
PLOT SCALE = \$SCALE\$	CHECKED -	REVISOR -
PLOT DATE = 2/20/2024	DATE -	REVISOR -

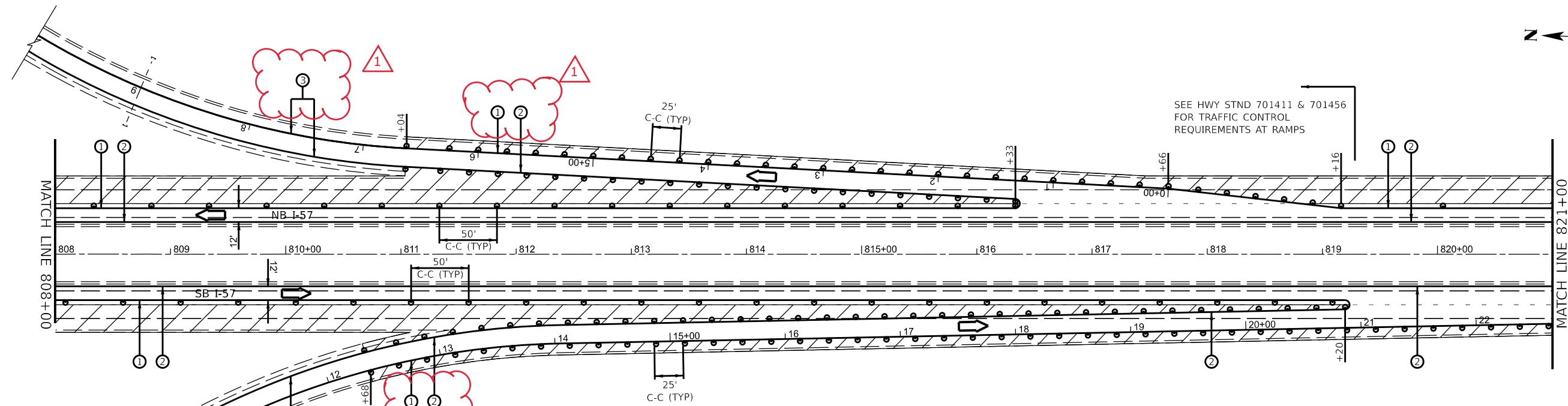
**STATE OF ILLINOIS
 DEPARTMENT OF TRANSPORTATION**

STAGE 2 TRAFFIC CONTROL

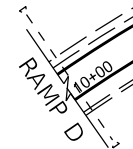
SCALE: SHEET 12 OF 17 SHEETS STA. TO STA.

F.A.I. RTE. 57	SECTION (38-6,38-5)RS,BRR,CLV	COUNTY IROQUOIS	TOTAL SHEETS 213	SHEET NO. 150
CONTRACT NO. 66H62				
ILLINOIS FED. AID PROJECT				

Long Section Number



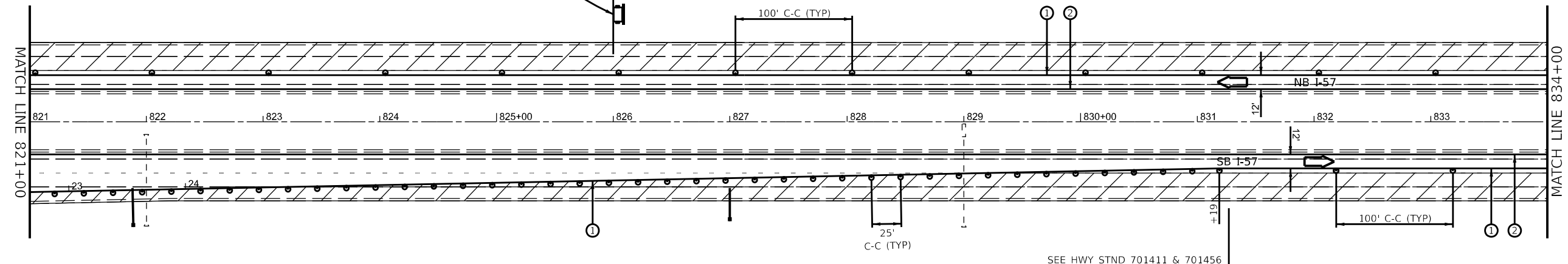
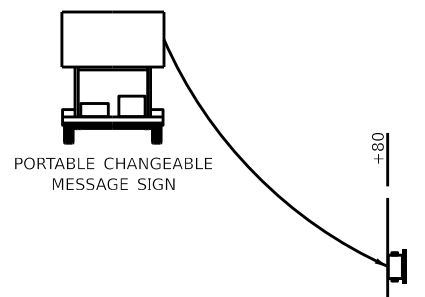
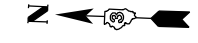
SEE HWY STND 701411 & 701456
FOR TRAFFIC CONTROL
REQUIREMENTS AT RAMP



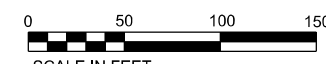
LEGEND

- DIRECTION INDICATOR BARRICADE WITH STEADY BURN MONODIRECTIONAL LIGHT
- DRUMS WITH MONO-DIRECTIONAL STEADY BURNING LIGHTS
- DIRECTION OF TRAFFIC
- IMPACT ATTENUATOR, TEMPORARY (NON-REDIRECTIVE TL 3)
- TEMPORARY CONCRETE BARRIER
- ARROW BOARD
- CLASS A PATCHING UNDER STRUCTURES
- WORK ZONE
- (A) EXISTING PAVEMENT MARKING
- (1) TEMPORARY PAVEMENT MARKING TYPE IV TAPE - WHITE
- (2) TEMPORARY PAVEMENT MARKING TYPE IV TAPE - YELLOW
- (3) SHORT TERM PAVEMENT MARKING

NOTES:
ALTERATIONS TO THE TRAFFIC CONTROL PLAN SHALL BE APPROVED BY THE ENGINEER.
USE TRAFFIC CONTROL STANDARDS 701400, 701401/701402 & 701406 FOR STAGE 2 WORKZONE. USE 701411 & 701456 FOR ALL RAMP. (NOT ALL TRAFFIC CONTROL DEVICES & SIGNING SHOWN) ADJUST RAMP OPENINGS IF REQUIRED.



SEE HWY STND 701411 & 701456
FOR TRAFFIC CONTROL
REQUIREMENTS AT RAMP



REV. 2/20/2024 JZ

MODEL STAGE 2 PLAN SHEETS
FILE NAME: P:\Illinois\Projects\2024\66H62\66H62-CAD\Drawings\66H62-Plan-Stage 2

USER NAME = Joseph.Zagar	DESIGNED -	REVISED -
	DRAWN -	REVISED -
PLOT SCALE = \$SCALE\$	CHECKED -	REVISED -
PLOT DATE = 2/20/2024	DATE -	REVISED -

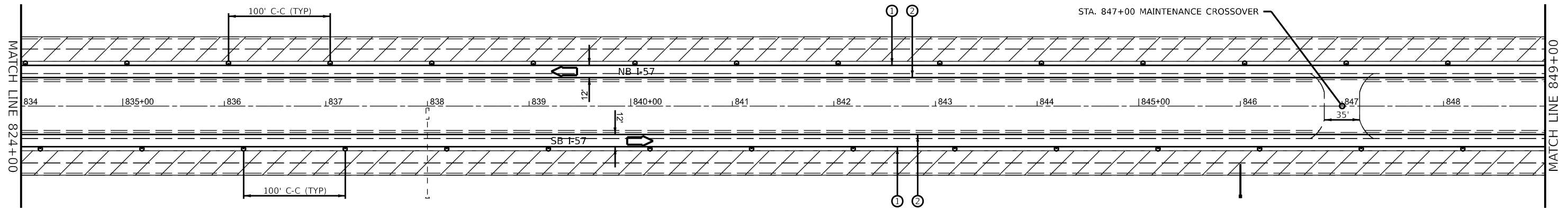
**STATE OF ILLINOIS
DEPARTMENT OF TRANSPORTATION**

STAGE 2 TRAFFIC CONTROL

SCALE: SHEET 13 OF 17 SHEETS STA. TO STA.

F.A.I. RTE.	SECTION	COUNTY	TOTAL SHEETS	SHEET NO.
57	(38-6,38-5)RS,BRR,CLV	IROQUOIS	213	151
CONTRACT NO. 66H62				
ILLINOIS FED. AID PROJECT				

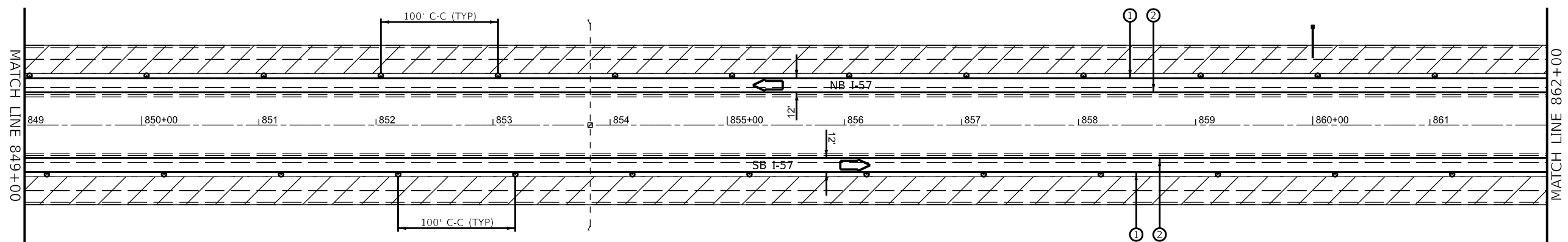
Long Section Number



LEGEND

	DIRECTION INDICATOR BARRICADE WITH STEADY BURN MONODIRECTIONAL LIGHT		ARROW BOARD		EXISTING PAVEMENT MARKING
	DRUMS WITH MONO-DIRECTIONAL STEADY BURNING LIGHTS		CLASS A PATCHING UNDER STRUCTURES		TEMPORARY PAVEMENT MARKING TYPE IV TAPE - WHITE
	DIRECTION OF TRAFFIC		WORK ZONE		TEMPORARY PAVEMENT MARKING TYPE IV TAPE - YELLOW
	IMPACT ATTENUATOR, TEMPORARY (NON-REDIRECTIVE TL 3)				SHORT TERM PAVEMENT MARKING
	TEMPORARY CONCRETE BARRIER				

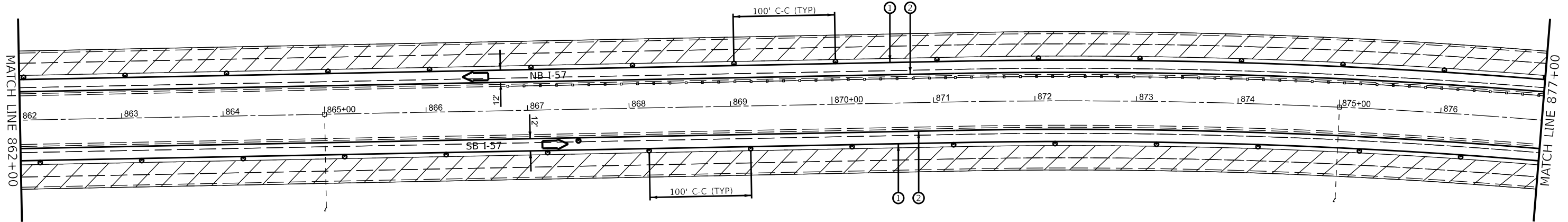
NOTES:
 ALTERATIONS TO THE TRAFFIC CONTROL PLAN SHALL BE APPROVED BY THE ENGINEER.
 USE TRAFFIC CONTROL STANDARDS 701400, 701401/701402 & 701406 FOR STAGE 2 WORKZONE. USE 701411 & 701456 FOR ALL RAMP.
 (NOT ALL TRAFFIC CONTROL DEVICES & SIGNING SHOWN) ADJUST RAMP OPENINGS IF REQUIRED.



MODEL STAGE 2 PLAN SHEETS
 FILE NAME: P:\Illinois\Projects\66H62\CD\Drawings\CD\Drawings\66H62_Plan_Sheet_2

REV. 2/20/2024 JZ

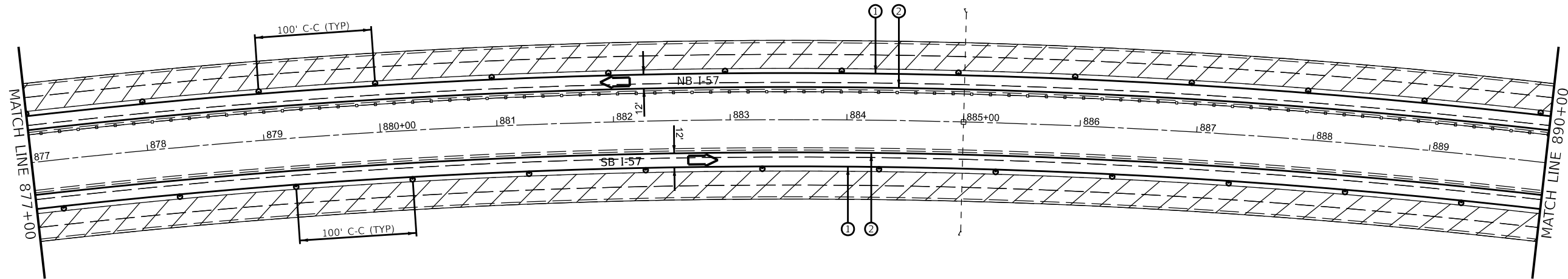
	USER NAME = Joseph.Zagar	DESIGNED -	REVISED -	STATE OF ILLINOIS DEPARTMENT OF TRANSPORTATION	STAGE 2 TRAFFIC CONTROL	F.A.I RTE. 57	SECTION (38-6,38-5)RS,BRR,CLV	COUNTY IROQUOIS	TOTAL SHEETS 213	SHEET NO. 152
	PLOT SCALE = \$SCALE\$	CHECKED -	REVISED -			CONTRACT NO. 66H62		ILLINOIS FED. AID PROJECT		
	PLOT DATE = 2/20/2024	DATE -	REVISED -		SCALE:	SHEET 14	OF 17	SHEETS	STA.	TO STA.
Long Section Number										



LEGEND

<ul style="list-style-type: none"> DIRECTION INDICATOR BARRICADE WITH STEADY BURN MONODIRECTIONAL LIGHT DRUMS WITH MONO-DIRECTIONAL STEADY BURNING LIGHTS DIRECTION OF TRAFFIC IMPACT ATTENUATOR, TEMPORARY (NON-REDIRECTIVE TL 3) TEMPORARY CONCRETE BARRIER 	<ul style="list-style-type: none"> ARROW BOARD CLASS A PATCHING UNDER STRUCTURES WORK ZONE 	<ul style="list-style-type: none"> (A) EXISTING PAVEMENT MARKING (1) TEMPORARY PAVEMENT MARKING TYPE IV TAPE - WHITE (2) TEMPORARY PAVEMENT MARKING TYPE IV TAPE - YELLOW (3) SHORT TERM PAVEMENT MARKING
---	--	---

NOTES:
 ALTERATIONS TO THE TRAFFIC CONTROL PLAN SHALL BE APPROVED BY THE ENGINEER.
 USE TRAFFIC CONTROL STANDARDS 701400, 701401/701402 & 701406 FOR STAGE 2 WORKZONE. USE 701411 & 701456 FOR ALL RAMP.
 (NOT ALL TRAFFIC CONTROL DEVICES & SIGNING SHOWN) ADJUST RAMP OPENINGS IF REQUIRED.



REV. 2/20/2024 JZ

MODEL STAGE 2 PLAN SHEETS
 FILE NAME: P:\Illinois\Projects\2024\2024-02-20\I-57\CD\Drawings\66H62_Plan_Stage 2

USER NAME = Joseph.Zagar	DESIGNED -	REVISED -	
	DRAWN -	REVISED -	
PLOT SCALE = \$SCALE\$	CHECKED -	REVISED -	
PLOT DATE = 2/20/2024	DATE -	REVISED -	

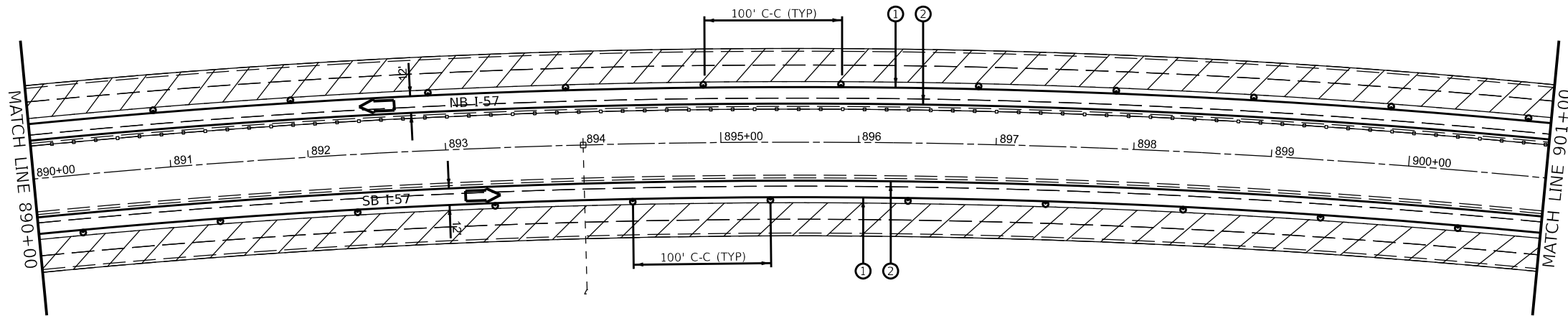
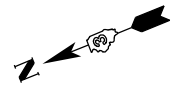
**STATE OF ILLINOIS
 DEPARTMENT OF TRANSPORTATION**

STAGE 2 TRAFFIC CONTROL

SCALE: SHEET 15 OF 17 SHEETS STA. TO STA.

F.A.I. RTE.	SECTION	COUNTY	TOTAL SHEETS	SHEET NO.
57	(38-6,38-5)RS,BRR,CLV	IROQUOIS	213	153
CONTRACT NO. 66H62				
ILLINOIS FED. AID PROJECT				

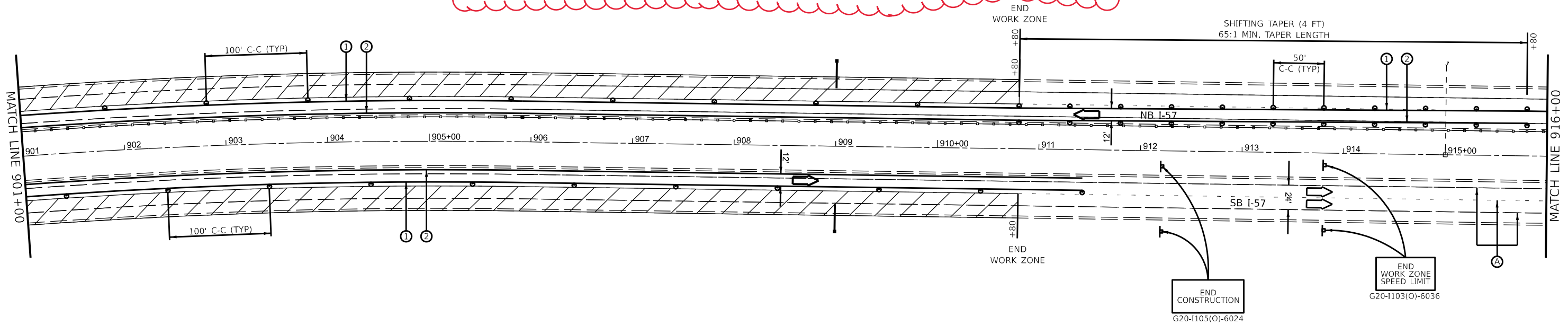
Long Section Number



LEGEND

<ul style="list-style-type: none"> DIRECTION INDICATOR BARRICADE WITH STEADY BURN MONODIRECTIONAL LIGHT DRUMS WITH MONO-DIRECTIONAL STEADY BURNING LIGHTS DIRECTION OF TRAFFIC IMPACT ATTENUATOR, TEMPORARY (NON-REDIRECTIVE TL 3) TEMPORARY CONCRETE BARRIER 	<ul style="list-style-type: none"> ARROW BOARD CLASS A PATCHING UNDER STRUCTURES WORK ZONE 	<ul style="list-style-type: none"> (A) EXISTING PAVEMENT MARKING (1) TEMPORARY PAVEMENT MARKING TYPE IV TAPE - WHITE (2) TEMPORARY PAVEMENT MARKING TYPE IV TAPE - YELLOW (3) SHORT TERM PAVEMENT MARKING
---	--	---

NOTES:
 ALTERATIONS TO THE TRAFFIC CONTROL PLAN SHALL BE APPROVED BY THE ENGINEER.
 USE TRAFFIC CONTROL STANDARDS 701400, 701401/701402 & 701406 FOR STAGE 2 WORKZONE. USE 701411 & 701456 FOR ALL RAMP.
 (NOT ALL TRAFFIC CONTROL DEVICES & SIGNING SHOWN) ADJUST RAMP OPENINGS IF REQUIRED.



REV. 2/20/2024 JZ

MODEL STAGE 2 PLAN SHEETS
 FILE NAME: I:\Projects\2024\66H62\CADD\Drawings\66H62_Plan_Stage 2

USER NAME = Joseph.Zagar	DESIGNED -	REVISED -	
	DRAWN -	REVISED -	
PLOT SCALE = \$\$SCALE\$	CHECKED -	REVISED -	
PLOT DATE = 2/20/2024	DATE -	REVISED -	

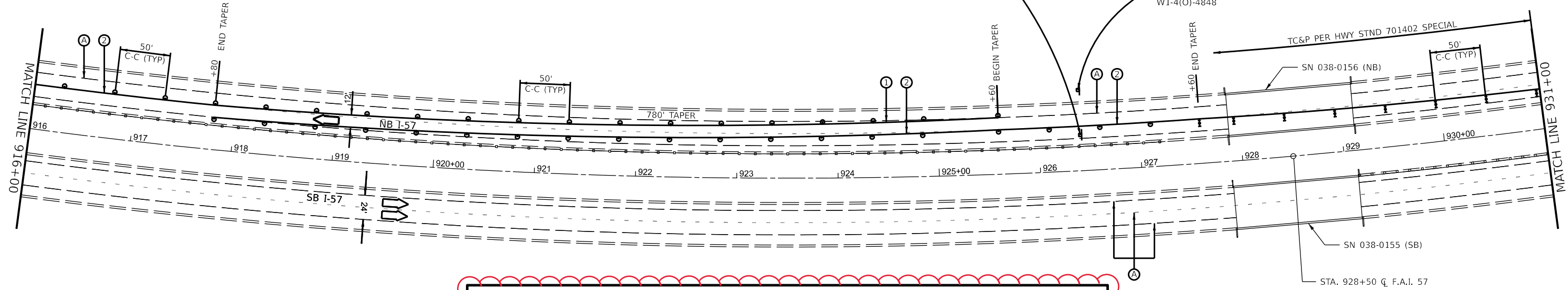
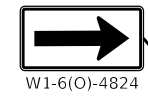
**STATE OF ILLINOIS
 DEPARTMENT OF TRANSPORTATION**

STAGE 2 TRAFFIC CONTROL

F.A.I. RTE.	SECTION	COUNTY	TOTAL SHEETS	SHEET NO.
57	(38-6.38-5)RS,BRR,CLV	IROQUOIS	213	154
CONTRACT NO. 66H62				
ILLINOIS FED. AID PROJECT				

SCALE: SHEET 16 OF 17 SHEETS STA. TO STA.

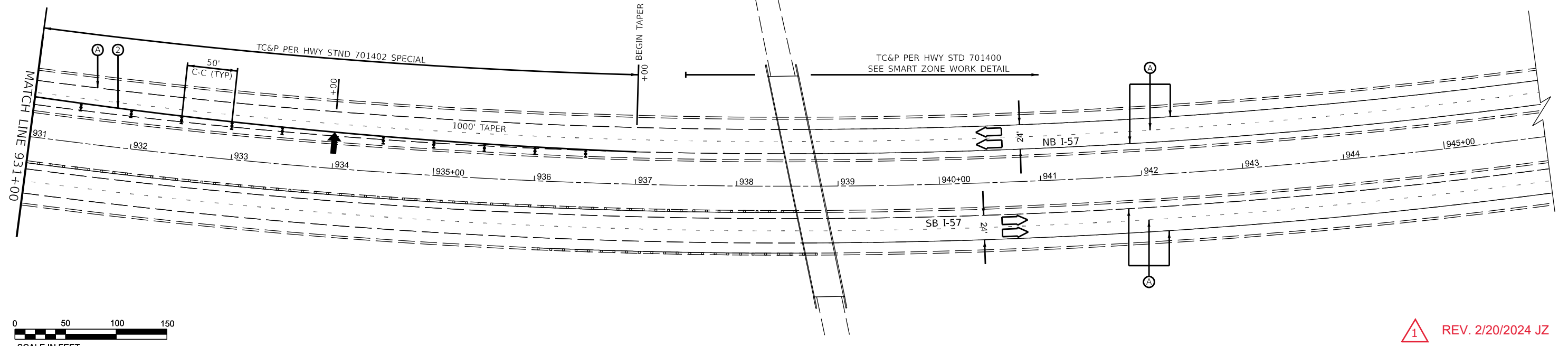
Long Section Number



LEGEND

- DIRECTION INDICATOR BARRICADE WITH STEADY BURN MONODIRECTIONAL LIGHT
- DRUMS WITH MONO-DIRECTIONAL STEADY BURNING LIGHTS
- DIRECTION OF TRAFFIC
- IMPACT ATTENUATOR, TEMPORARY (NON-REDIRECTIVE TL 3)
- TEMPORARY CONCRETE BARRIER
- ARROW BOARD
- CLASS A PATCHING UNDER STRUCTURES
- WORK ZONE
- EXISTING PAVEMENT MARKING
- TEMPORARY PAVEMENT MARKING TYPE IV TAPE - WHITE
- TEMPORARY PAVEMENT MARKING TYPE IV TAPE - YELLOW
- SHORT TERM PAVEMENT MARKING

NOTES:
 ALTERATIONS TO THE TRAFFIC CONTROL PLAN SHALL BE APPROVED BY THE ENGINEER.
 USE TRAFFIC CONTROL STANDARDS 701400, 701401/701402 & 701406 FOR STAGE 2 WORKZONE. USE 701411 & 701456 FOR ALL RAMP.
 (NOT ALL TRAFFIC CONTROL DEVICES & SIGNING SHOWN) ADJUST RAMP OPENINGS IF REQUIRED.



REV. 2/20/2024 JZ

MODEL STAGE 2 PLAN SHEETS
FILE NAME: P:\Illinois\Projects\66H62\66H62-Plan_Sht2.dwg

USER NAME = Joseph.Zagar	DESIGNED -	REVISED -
DRAWN -	REVISOR -	
PLOT SCALE = \$SCALE\$	CHECKED -	REVISOR -
PLOT DATE = 2/20/2024	DATE -	REVISOR -

**STATE OF ILLINOIS
DEPARTMENT OF TRANSPORTATION**

STAGE 2 TRAFFIC CONTROL

SCALE: SHEET 17 OF 17 SHEETS STA. TO STA.

F.A.I. RTE.	SECTION	COUNTY	TOTAL SHEETS	SHEET NO.
57	(38-6,38-5)RS,BRR,CLV	IROQUOIS	213	155
CONTRACT NO. 66H62				
ILLINOIS FED. AID PROJECT				

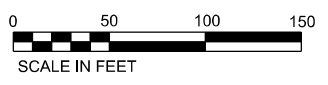
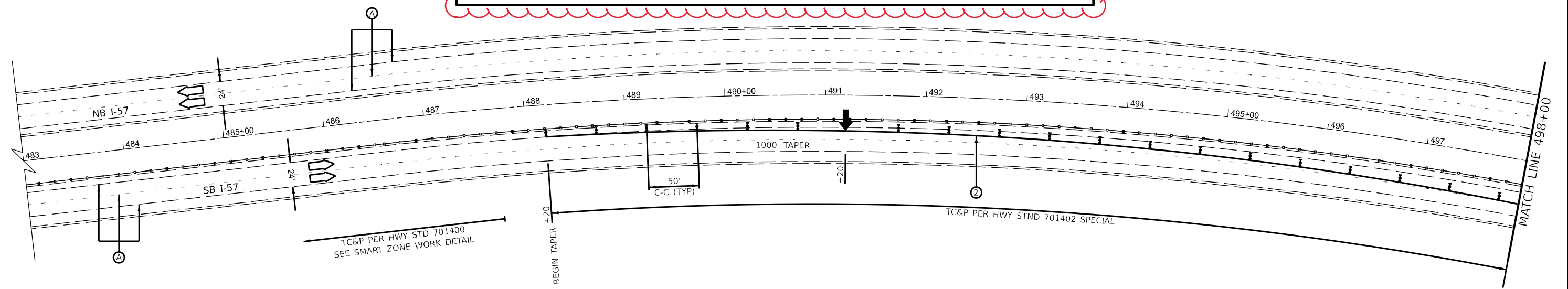
Long Section Number

MODEL Stage 3 Sheets
 FILE NAME: P:\000\p66h62\p66h62\CADD\Drawings\CD\Drawings\66h62_Plan_Stage3

LEGEND

<ul style="list-style-type: none"> DIRECTION INDICATOR BARRICADE WITH STEADY BURN MONODIRECTIONAL LIGHT DRUMS WITH MONO-DIRECTIONAL STEADY BURNING LIGHTS DIRECTION OF TRAFFIC IMPACT ATTENUATOR, TEMPORARY (NON-REDIRECTIVE TL 3) TEMPORARY CONCRETE BARRIER 	<ul style="list-style-type: none"> ARROW BOARD CLASS A PATCHING UNDER STRUCTURES WORK ZONE 	<ul style="list-style-type: none"> (A) EXISTING PAVEMENT MARKING (1) TEMPORARY PAVEMENT MARKING TYPE IV TAPE - WHITE (2) TEMPORARY PAVEMENT MARKING TYPE IV TAPE - YELLOW (3) SHORT TERM PAVEMENT MARKING
---	--	---

NOTES:
 ALTERATIONS TO THE TRAFFIC CONTROL PLAN SHALL BE APPROVED BY THE ENGINEER.
 USE TRAFFIC CONTROL STANDARDS 701400, 701401/701402 & 701406 FOR STAGE 3 WORKZONE. USE 701411 & 701456 FOR ALL RAMP.
 (NOT ALL TRAFFIC CONTROL DEVICES & SIGNING SHOWN) ADJUST RAMP OPENINGS IF REQUIRED.

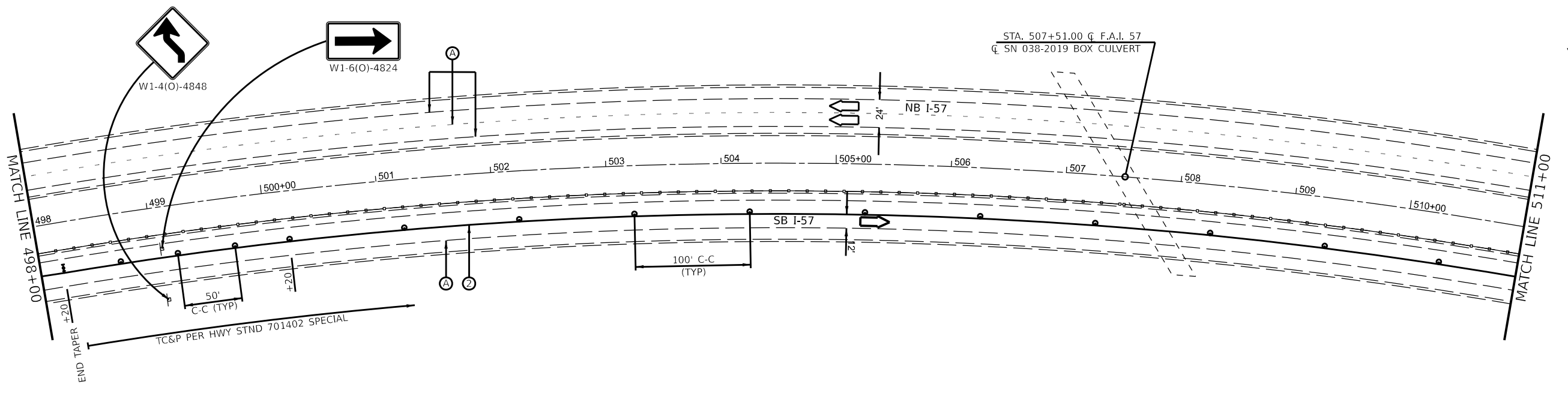


REV. 2/20/2024 JZ

	USER NAME = Joseph.Zagar	DESIGNED -	REVISED -	STATE OF ILLINOIS DEPARTMENT OF TRANSPORTATION	STAGE 3 TRAFFIC CONTROL	F.A.I RTE.	SECTION	COUNTY	TOTAL SHEETS	SHEET NO.
	PLOT SCALE = \$\$SCALE\$	DRAWN -	REVISED -			57	(38-6,38-5)RS,BRR,CLV	IROQUOIS	213	156
	PLOT DATE = 2/20/2024	CHECKED -	REVISED -		SCALE: SHEET 1 OF 17 SHEETS STA. TO STA.				CONTRACT NO. 66H62	
		DATE -	REVISED -						ILLINOIS FED. AID PROJECT	

Long Section Number

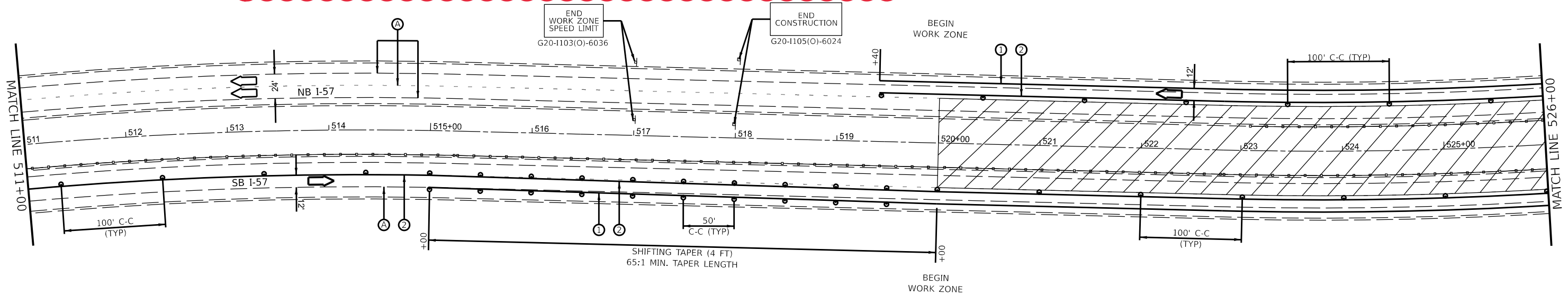
MODEL Stage 3 Sheets
FILE NAME: P:\02024\66666\66666\CD\Drawings\66666\66666_Stage 3



LEGEND

- DIRECTION INDICATOR BARRICADE WITH STEADY BURN MONODIRECTIONAL LIGHT
- DRUMS WITH MONO-DIRECTIONAL STEADY BURNING LIGHTS
- DIRECTION OF TRAFFIC
- IMPACT ATTENUATOR, TEMPORARY (NON-REDIRECTIVE TL 3)
- TEMPORARY CONCRETE BARRIER
- ARROW BOARD
- CLASS A PATCHING UNDER STRUCTURES
- WORK ZONE
- (A) EXISTING PAVEMENT MARKING
- (1) TEMPORARY PAVEMENT MARKING TYPE IV TAPE - WHITE
- (2) TEMPORARY PAVEMENT MARKING TYPE IV TAPE - YELLOW
- (3) SHORT TERM PAVEMENT MARKING

NOTES:
ALTERATIONS TO THE TRAFFIC CONTROL PLAN SHALL BE APPROVED BY THE ENGINEER.
USE TRAFFIC CONTROL STANDARDS 701400, 701401/701402 & 701406 FOR STAGE 3 WORKZONE. USE 701411 & 701456 FOR ALL RAMPs. (NOT ALL TRAFFIC CONTROL DEVICES & SIGNING SHOWN) ADJUST RAMP OPENINGS IF REQUIRED.



1 REV. 2/20/2024 JZ

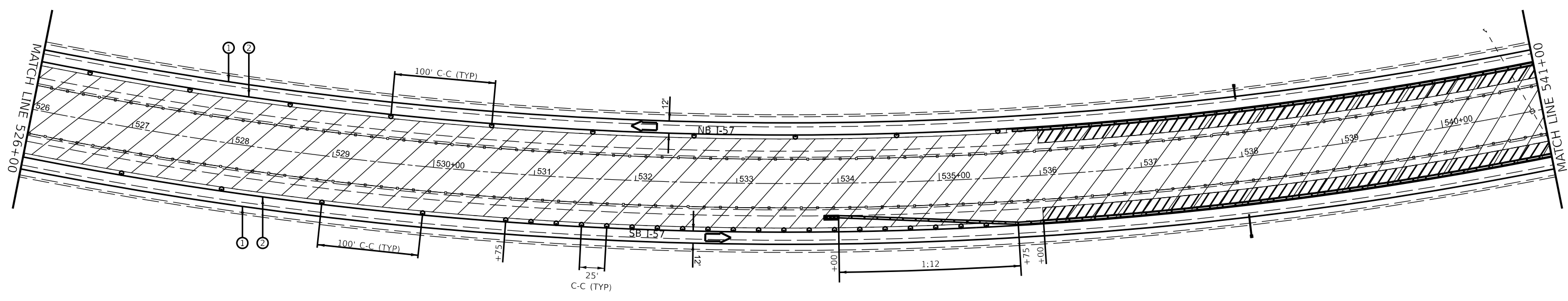
USER NAME = Joseph.Zagar	DESIGNED -	REVISED -
PLOT SCALE = \$SCALE\$	DRAWN -	REVISED -
PLOT DATE = 2/20/2024	CHECKED -	REVISED -
	DATE -	REVISED -

**STATE OF ILLINOIS
DEPARTMENT OF TRANSPORTATION**

STAGE 3 TRAFFIC CONTROL
SCALE: SHEET 2 OF 17 SHEETS STA. TO STA.

F.A.I. RTE. 57	SECTION (38-6.38-5)RS,BRR,CLV	COUNTY IROQUOIS	TOTAL SHEETS 213	SHEET NO. 157
CONTRACT NO. 66666				
ILLINOIS FED. AID PROJECT				

Long Section Number



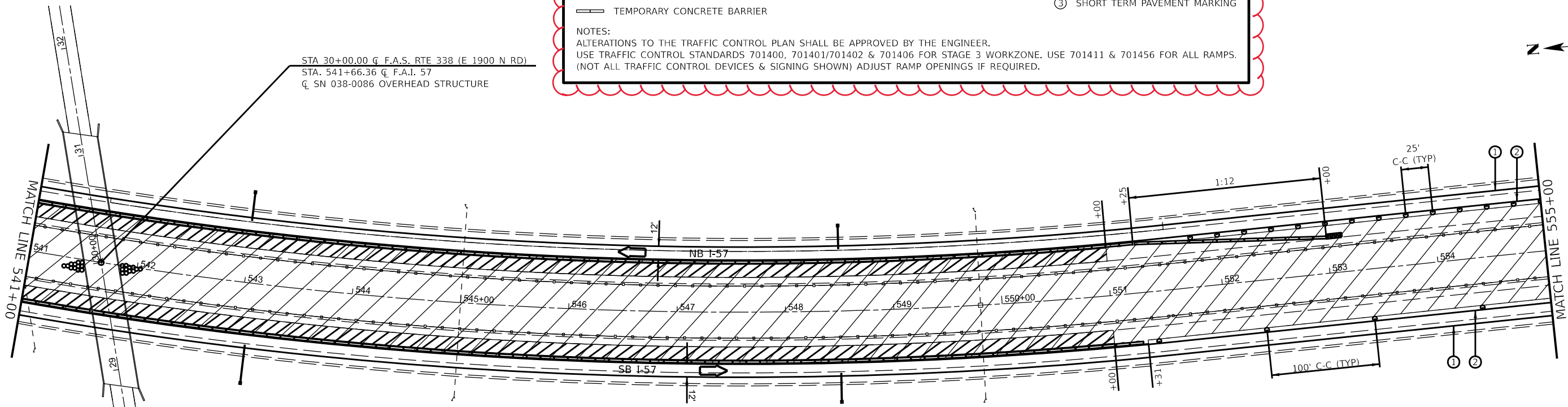
LEGEND

<ul style="list-style-type: none"> DIRECTION INDICATOR BARRICADE WITH STEADY BURN MONODIRECTIONAL LIGHT DRUMS WITH MONO-DIRECTIONAL STEADY BURNING LIGHTS DIRECTION OF TRAFFIC IMPACT ATTENUATOR, TEMPORARY (NON-REDIRECTIVE TL 3) TEMPORARY CONCRETE BARRIER 	<ul style="list-style-type: none"> ARROW BOARD CLASS A PATCHING UNDER STRUCTURES WORK ZONE 	<ul style="list-style-type: none"> EXISTING PAVEMENT MARKING TEMPORARY PAVEMENT MARKING TYPE IV TAPE - WHITE TEMPORARY PAVEMENT MARKING TYPE IV TAPE - YELLOW SHORT TERM PAVEMENT MARKING
---	--	---

NOTES:
 ALTERATIONS TO THE TRAFFIC CONTROL PLAN SHALL BE APPROVED BY THE ENGINEER.
 USE TRAFFIC CONTROL STANDARDS 701400, 701401/701402 & 701406 FOR STAGE 3 WORKZONE. USE 701411 & 701456 FOR ALL RAMPs.
 (NOT ALL TRAFFIC CONTROL DEVICES & SIGNING SHOWN) ADJUST RAMP OPENINGS IF REQUIRED.



STA 30+00.00 \bar{C} F.A.S. RTE 338 (E 1900 N RD)
 STA. 541+66.36 \bar{C} F.A.I. 57
 \bar{C} SN 038-0086 OVERHEAD STRUCTURE



REV. 2/20/2024 JZ

MODEL Stage 3 Sheets
 FILE NAME: P:\038-0086\Drawings\DOT\Office\Drawings\3-CRD\Project\038-0086\CADD\Drawings\038-0086-Plan_Stage 3

USER NAME = Joseph.Zagar	DESIGNED -	REVISED -	
	DRAWN -	REVISED -	
PLOT SCALE = \$SCALE\$	CHECKED -	REVISED -	
PLOT DATE = 2/20/2024	DATE -	REVISED -	

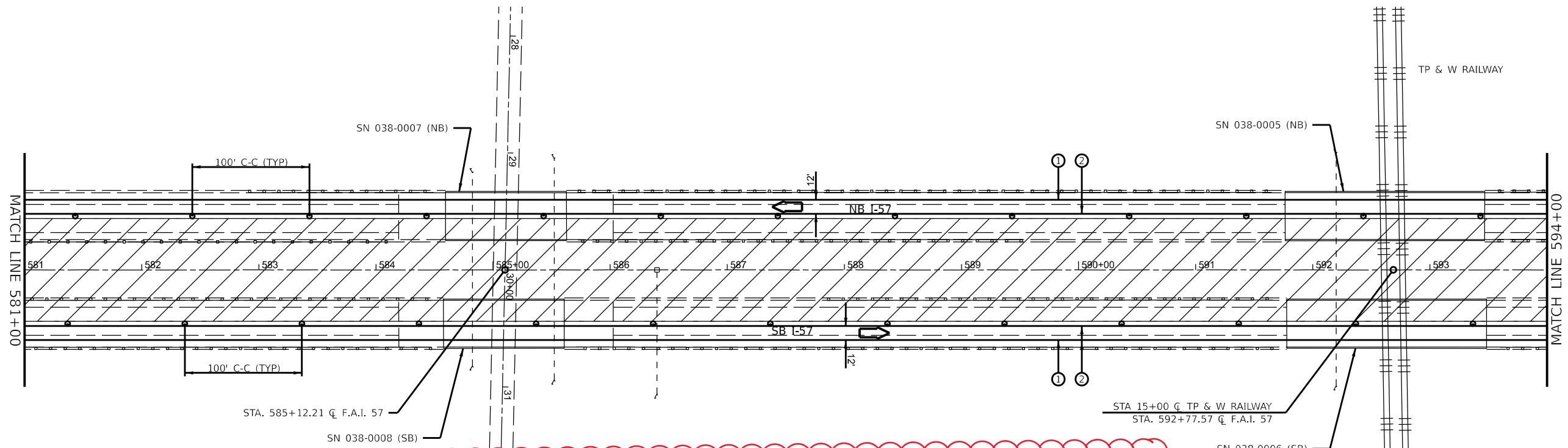
**STATE OF ILLINOIS
DEPARTMENT OF TRANSPORTATION**

STAGE 3 TRAFFIC CONTROL

SCALE: SHEET 3 OF 17 SHEETS STA. TO STA.

F.A.I. RTE.	SECTION	COUNTY	TOTAL SHEETS	SHEET NO.
57	(38-6,38-5)RS,BRR,CLV	IROQUOIS	213	158
CONTRACT NO. 66H62				
ILLINOIS FED. AID PROJECT				

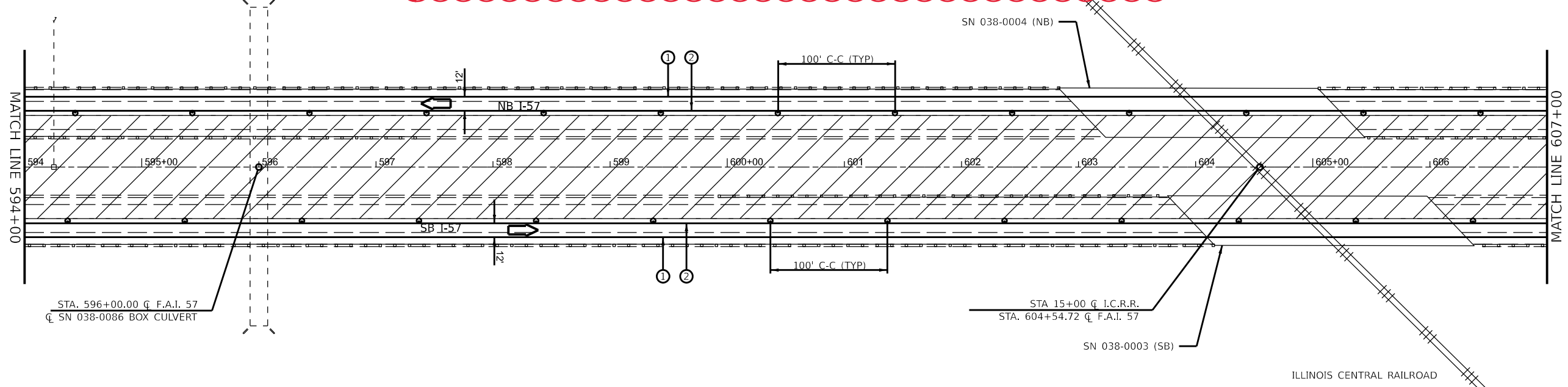
Long Section Number



LEGEND

- DIRECTION INDICATOR BARRICADE WITH STEADY BURN MONODIRECTIONAL LIGHT
- DRUMS WITH MONO-DIRECTIONAL STEADY BURNING LIGHTS
- DIRECTION OF TRAFFIC
- IMPACT ATTENUATOR, TEMPORARY (NON-REDIRECTIVE TL 3)
- TEMPORARY CONCRETE BARRIER
- ARROW BOARD
- CLASS A PATCHING UNDER STRUCTURES
- WORK ZONE
- (A) EXISTING PAVEMENT MARKING
- (1) TEMPORARY PAVEMENT MARKING TYPE IV TAPE - WHITE
- (2) TEMPORARY PAVEMENT MARKING TYPE IV TAPE - YELLOW
- (3) SHORT TERM PAVEMENT MARKING

NOTES:
 ALTERATIONS TO THE TRAFFIC CONTROL PLAN SHALL BE APPROVED BY THE ENGINEER.
 USE TRAFFIC CONTROL STANDARDS 701400, 701401/701402 & 701406 FOR STAGE 3 WORKZONE. USE 701411 & 701456 FOR ALL RAMPS.
 (NOT ALL TRAFFIC CONTROL DEVICES & SIGNING SHOWN) ADJUST RAMP OPENINGS IF REQUIRED.



REV. 2/20/2024 JZ

MODEL: Stage 3 Sheets
 FILE NAME: P:\Roads\pawley.com\PI\PID\Documents\IDOT\Office\Bridges\I-57\CD\Drawings\66H62_Plan_Stage 3

USER NAME = Joseph.Zagar	DESIGNED -	REVISED -
PLOT SCALE = \$SCALE\$	DRAWN -	REVISED -
PLOT DATE = 2/20/2024	CHECKED -	REVISED -
	DATE -	REVISED -

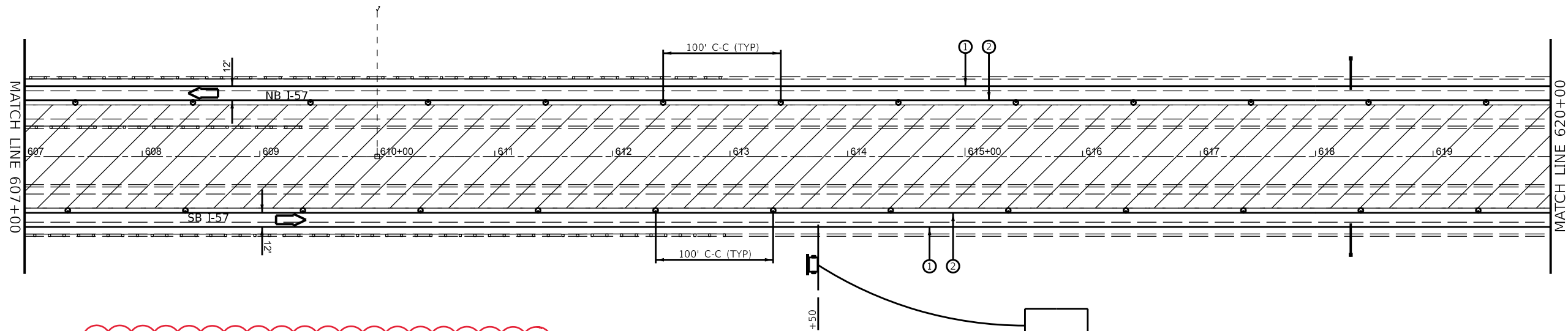
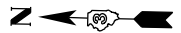
**STATE OF ILLINOIS
DEPARTMENT OF TRANSPORTATION**

STAGE 3 TRAFFIC CONTROL

SCALE: SHEET 5 OF 17 SHEETS STA. TO STA.

F.A.I. RTE.	SECTION	COUNTY	TOTAL SHEETS	SHEET NO.
57	(38-6,38-5)RS,BRR,CLV	IROQUOIS	213	160
CONTRACT NO. 66H62				

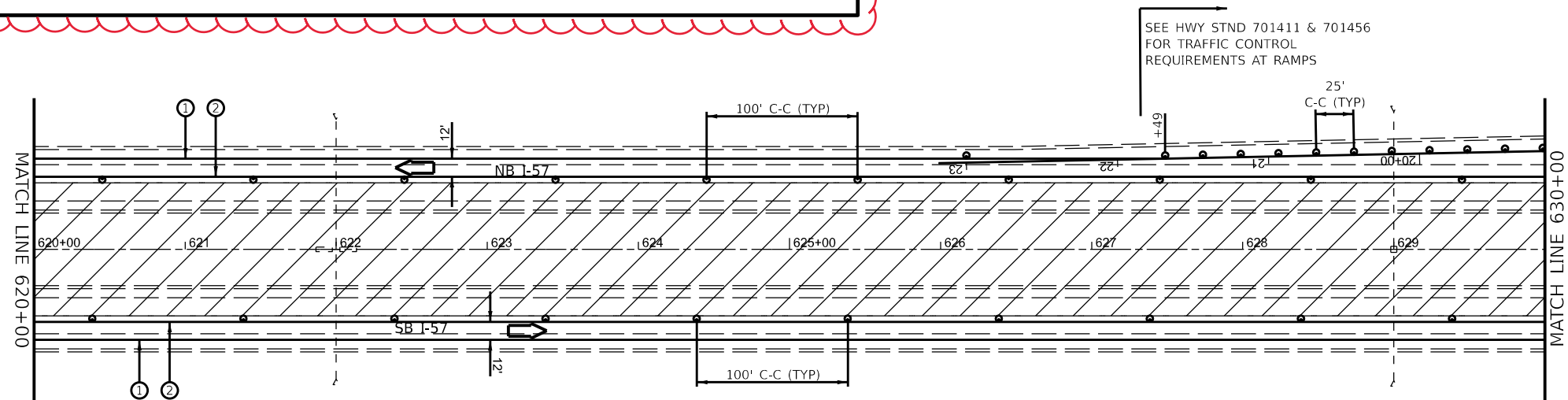
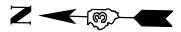
Long Section Number



LEGEND

- DIRECTION INDICATOR BARRICADE WITH STEADY BURN MONODIRECTIONAL LIGHT
- DRUMS WITH MONO-DIRECTIONAL STEADY BURNING LIGHTS
- ARROW BOARD
- CLASS A PATCHING UNDER STRUCTURES
- WORK ZONE
- DIRECTION OF TRAFFIC
- IMPACT ATTENUATOR, TEMPORARY (NON-REDIRECTIVE TL 3)
- TEMPORARY CONCRETE BARRIER
- (A) EXISTING PAVEMENT MARKING
- (1) TEMPORARY PAVEMENT MARKING TYPE IV TAPE - WHITE
- (2) TEMPORARY PAVEMENT MARKING TYPE IV TAPE - YELLOW
- (3) SHORT TERM PAVEMENT MARKING

NOTES:
 ALTERATIONS TO THE TRAFFIC CONTROL PLAN SHALL BE APPROVED BY THE ENGINEER.
 USE TRAFFIC CONTROL STANDARDS 701400, 701401/701402 & 701406 FOR STAGE 3 WORKZONE. USE 701411 & 701456 FOR ALL RAMP.
 (NOT ALL TRAFFIC CONTROL DEVICES & SIGNING SHOWN) ADJUST RAMP OPENINGS IF REQUIRED.



REV. 2/20/2024 JZ

MODEL Stage 3 Sheets
 FILE NAME: P:\0100\p0100\handray.com\PI\DOT\Documents\I\DOT Office\Dist\13\CRD Project\038\H42\CADD\038\H42\24\038\H42\Plan_Sheet_3

USER NAME = Joseph.Zagar	DESIGNED -	REVISED -
DRAWN -	REVISOR -	
PLOT SCALE = \$SCALE\$	CHECKED -	REVISED -
PLOT DATE = 2/20/2024	DATE -	REVISED -

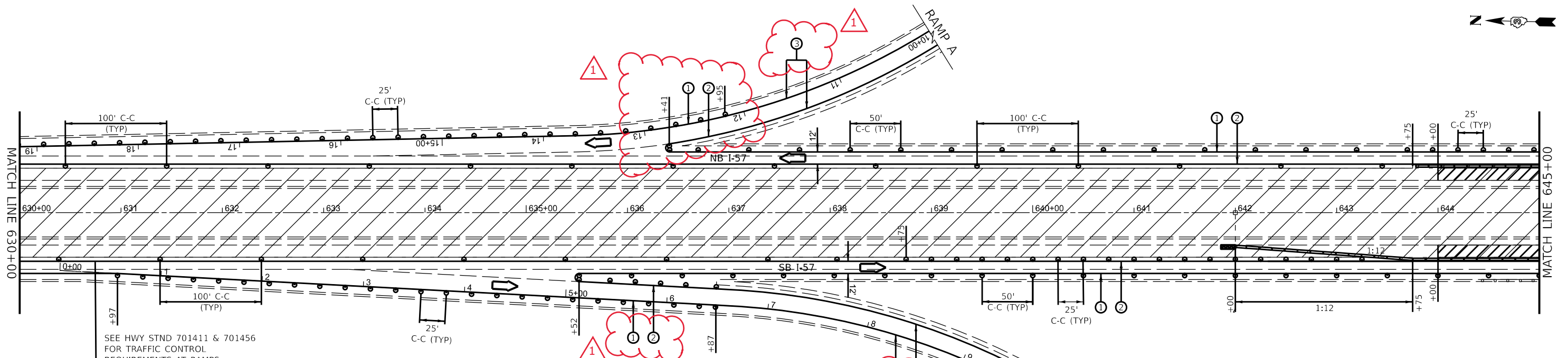
**STATE OF ILLINOIS
DEPARTMENT OF TRANSPORTATION**

STAGE 3 TRAFFIC CONTROL

F.A.I. RTE.	SECTION	COUNTY	TOTAL SHEETS	SHEET NO.
57	(38-6,38-5)RS,BRR,CLV	IROQUOIS	213	161
CONTRACT NO. 66H62				
ILLINOIS FED. AID PROJECT				

SCALE: SHEET 6 OF 17 SHEETS STA. TO STA.

Long Section Number



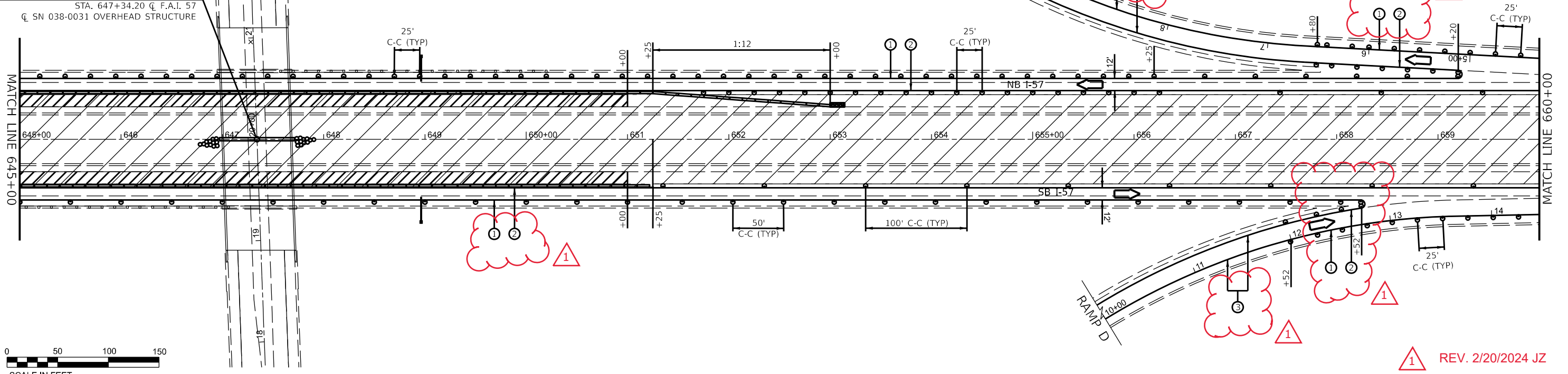
SEE HWY STND 701411 & 701456 FOR TRAFFIC CONTROL REQUIREMENTS AT RAMPS

LEGEND

- DIRECTION INDICATOR BARRICADE WITH STEADY BURN MONODIRECTIONAL LIGHT DRUMS WITH MONO-DIRECTIONAL STEADY BURNING LIGHTS
- ARROW BOARD
- EXISTING PAVEMENT MARKING
- TEMPORARY PAVEMENT MARKING TYPE IV TAPE - WHITE
- TEMPORARY PAVEMENT MARKING TYPE IV TAPE - YELLOW
- SHORT TERM PAVEMENT MARKING
- CLASS A PATCHING UNDER STRUCTURES
- WORK ZONE
- DIRECTION OF TRAFFIC
- IMPACT ATTENUATOR, TEMPORARY (NON-REDIRECTIVE TL 3)
- TEMPORARY CONCRETE BARRIER

NOTES:
 ALTERATIONS TO THE TRAFFIC CONTROL PLAN SHALL BE APPROVED BY THE ENGINEER.
 USE TRAFFIC CONTROL STANDARDS 701400, 701401/701402 & 701406 FOR STAGE 3 WORKZONE. USE 701411 & 701456 FOR ALL RAMPS.
 (NOT ALL TRAFFIC CONTROL DEVICES & SIGNING SHOWN) ADJUST RAMP OPENINGS IF REQUIRED.

STA 20+00.00 @ US RTE 24 (CO. RD 1700 N)
 STA. 647+34.20 @ F.A.I. 57
 @ SN 038-0031 OVERHEAD STRUCTURE



REV. 2/20/2024 JZ

MODEL: Stage 3 Sheets
 FILE NAME: P:\Illinois\Highway\CD\Projects\038\662\CD\Drawings\66H62-Plan-Stage3

USER NAME = Joseph.Zagar	DESIGNED -	REVISED -
PLOT SCALE = \$SCALE\$	DRAWN -	REVISED -
PLOT DATE = 2/20/2024	CHECKED -	REVISED -
	DATE -	REVISED -

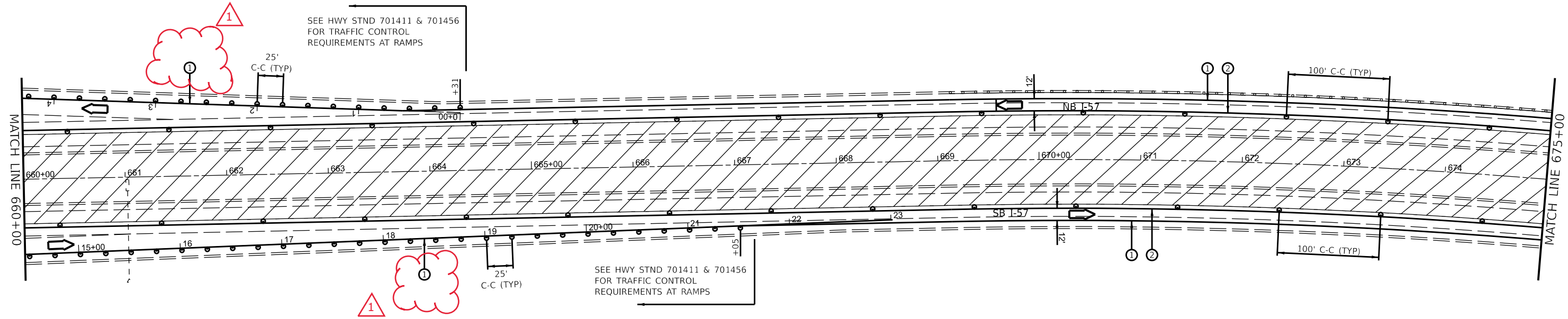
**STATE OF ILLINOIS
 DEPARTMENT OF TRANSPORTATION**

STAGE 3 TRAFFIC CONTROL

SCALE: SHEET 7 OF 17 SHEETS STA. TO STA.

F.A.I. RTE.	SECTION	COUNTY	TOTAL SHEETS	SHEET NO.
57	(38-6,38-5)RS,BRR,CLV	IROQUOIS	213	162
CONTRACT NO. 66H62				

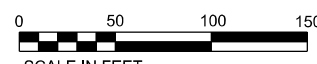
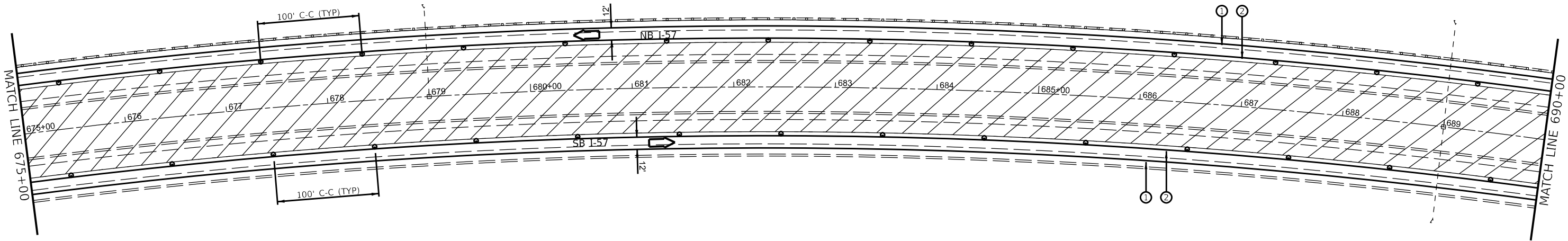
ILLINOIS FED. AID PROJECT
 Long Section Number



LEGEND

- DIRECTION INDICATOR BARRICADE WITH STEADY BURN MONODIRECTIONAL LIGHT
- DRUMS WITH MONO-DIRECTIONAL STEADY BURNING LIGHTS
- DIRECTION OF TRAFFIC
- IMPACT ATTENUATOR, TEMPORARY (NON-REDIRECTIVE TL 3)
- TEMPORARY CONCRETE BARRIER
- ARROW BOARD
- CLASS A PATCHING UNDER STRUCTURES
- WORK ZONE
- (A) EXISTING PAVEMENT MARKING
- (1) TEMPORARY PAVEMENT MARKING TYPE IV TAPE - WHITE
- (2) TEMPORARY PAVEMENT MARKING TYPE IV TAPE - YELLOW
- (3) SHORT TERM PAVEMENT MARKING

NOTES:
 ALTERATIONS TO THE TRAFFIC CONTROL PLAN SHALL BE APPROVED BY THE ENGINEER.
 USE TRAFFIC CONTROL STANDARDS 701400, 701401/701402 & 701406 FOR STAGE 3 WORKZONE. USE 701411 & 701456 FOR ALL RAMPS.
 (NOT ALL TRAFFIC CONTROL DEVICES & SIGNING SHOWN) ADJUST RAMP OPENINGS IF REQUIRED.



REV. 2/20/2024 JZ

MODEL: Stage 3 Sheets
 FILE NAME: I:\Projects\66H62\66H62-CAD\Drawings\66H62-Plan-Stage 3

USER NAME = Joseph.Zagar	DESIGNED -	REVISED -
PLOT SCALE = \$SCALE\$	DRAWN -	REVISED -
PLOT DATE = 2/20/2024	CHECKED -	REVISED -
	DATE -	REVISED -

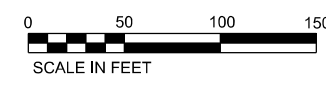
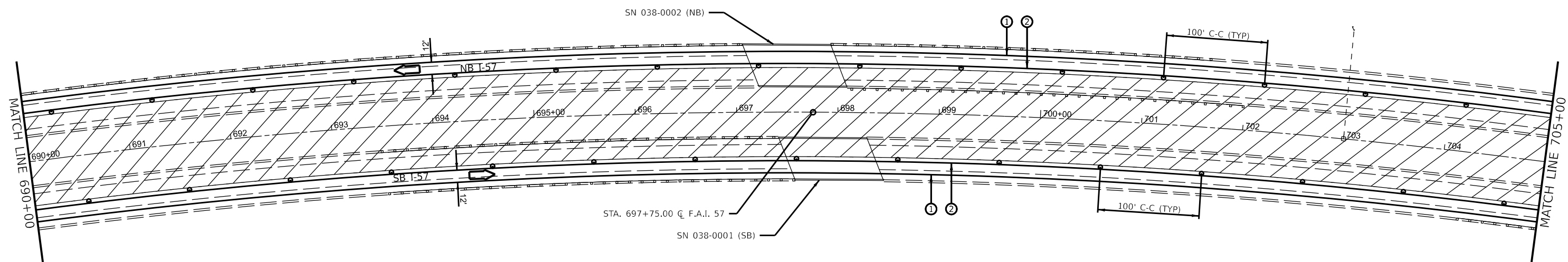
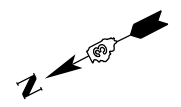
**STATE OF ILLINOIS
DEPARTMENT OF TRANSPORTATION**

STAGE 3 TRAFFIC CONTROL

SCALE: SHEET 8 OF 17 SHEETS STA. TO STA.

F.A.I. RTE.	SECTION	COUNTY	TOTAL SHEETS	SHEET NO.
57	(38-6,38-5)RS,BRR,CLV	IROQUOIS	213	163
CONTRACT NO. 66H62				

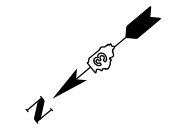
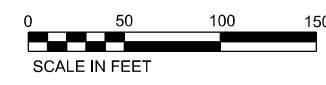
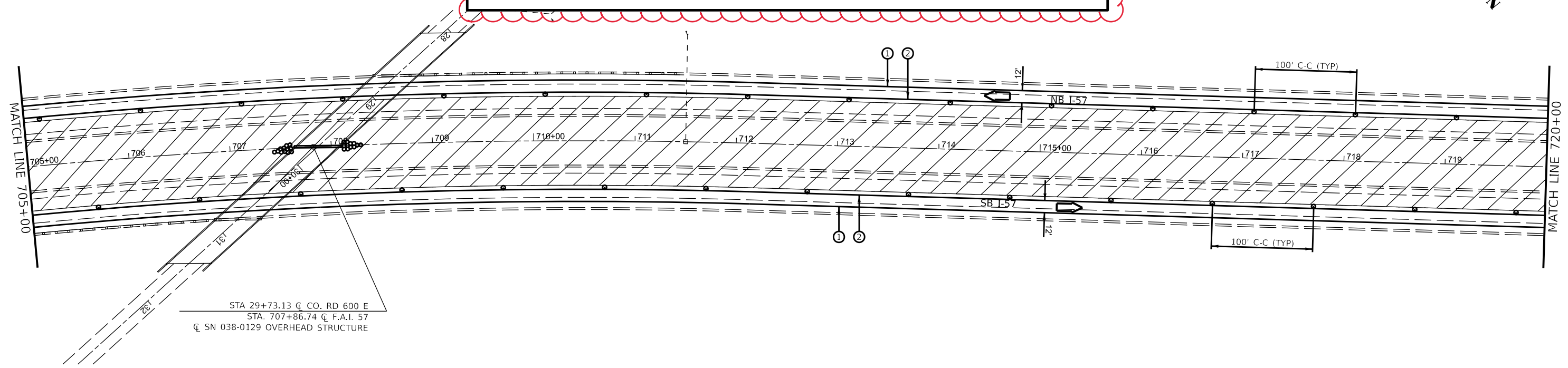
ILLINOIS FED. AID PROJECT Long Section Number



LEGEND

<ul style="list-style-type: none"> DIRECTION INDICATOR BARRICADE WITH STEADY BURN MONODIRECTIONAL LIGHT DRUMS WITH MONO-DIRECTIONAL STEADY BURNING LIGHTS DIRECTION OF TRAFFIC IMPACT ATTENUATOR, TEMPORARY (NON-REDIRECTIVE TL 3) TEMPORARY CONCRETE BARRIER 	<ul style="list-style-type: none"> ARROW BOARD CLASS A PATCHING UNDER STRUCTURES WORK ZONE 	<ul style="list-style-type: none"> (A) EXISTING PAVEMENT MARKING (1) TEMPORARY PAVEMENT MARKING TYPE IV TAPE - WHITE (2) TEMPORARY PAVEMENT MARKING TYPE IV TAPE - YELLOW (3) SHORT TERM PAVEMENT MARKING
---	--	---

NOTES:
 ALTERATIONS TO THE TRAFFIC CONTROL PLAN SHALL BE APPROVED BY THE ENGINEER.
 USE TRAFFIC CONTROL STANDARDS 701400, 701401/701402 & 701406 FOR STAGE 3 WORKZONE. USE 701411 & 701456 FOR ALL RAMP.
 (NOT ALL TRAFFIC CONTROL DEVICES & SIGNING SHOWN) ADJUST RAMP OPENINGS IF REQUIRED.



REV. 2/20/2024 JZ

MODEL Stage 3 Sheets
 FILE NAME: P:\000\p000\bandev.com\PI\DOT\Documents\DOT Office\District 3\CORP Projects\038\662\CADD\038\662\Plan_Sheet_3

USER NAME = Joseph.Zagar	DESIGNED -	REVISED -	
	DRAWN -	REVISED -	
PLOT SCALE = \$SCALE\$	CHECKED -	REVISED -	
PLOT DATE = 2/20/2024	DATE -	REVISED -	

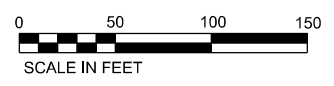
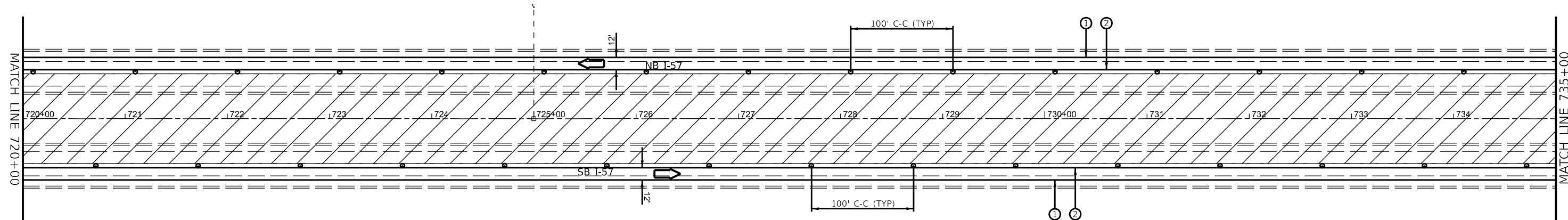
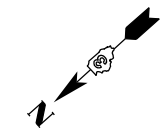
**STATE OF ILLINOIS
DEPARTMENT OF TRANSPORTATION**

STAGE 3 TRAFFIC CONTROL

SCALE: SHEET 9 OF 17 SHEETS STA. TO STA.

F.A.I. RTE.	SECTION	COUNTY	TOTAL SHEETS	SHEET NO.
57	(38-6,38-5)RS,BRR,CLV	IROQUOIS	213	164
CONTRACT NO. 66H62				
ILLINOIS FED. AID PROJECT				

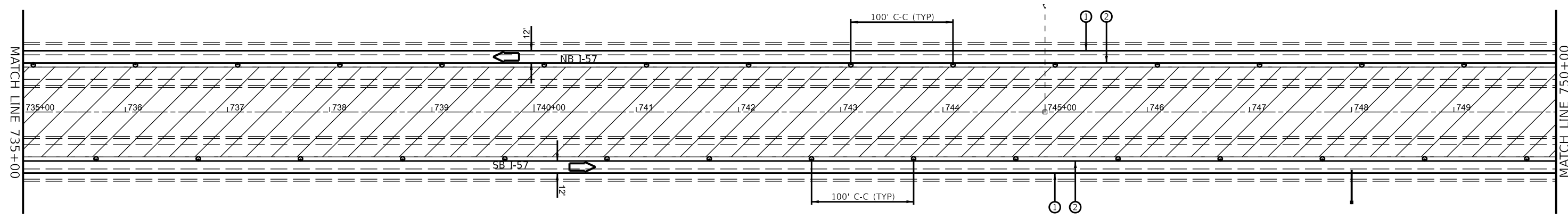
Long Section Number



LEGEND

- DIRECTION INDICATOR BARRICADE WITH STEADY BURN MONODIRECTIONAL LIGHT
- DRUMS WITH MONO-DIRECTIONAL STEADY BURNING LIGHTS
- DIRECTION OF TRAFFIC
- IMPACT ATTENUATOR, TEMPORARY (NON-REDIRECTIVE TL 3)
- TEMPORARY CONCRETE BARRIER
- ARROW BOARD
- CLASS A PATCHING UNDER STRUCTURES
- WORK ZONE
- (A) EXISTING PAVEMENT MARKING
- (1) TEMPORARY PAVEMENT MARKING TYPE IV TAPE - WHITE
- (2) TEMPORARY PAVEMENT MARKING TYPE IV TAPE - YELLOW
- (3) SHORT TERM PAVEMENT MARKING

NOTES:
 ALTERATIONS TO THE TRAFFIC CONTROL PLAN SHALL BE APPROVED BY THE ENGINEER.
 USE TRAFFIC CONTROL STANDARDS 701400, 701401/701402 & 701406 FOR STAGE 3 WORKZONE. USE 701411 & 701456 FOR ALL RAMPS.
 (NOT ALL TRAFFIC CONTROL DEVICES & SIGNING SHOWN) ADJUST RAMP OPENINGS IF REQUIRED.



REV. 2/20/2024 JZ

MODEL Stage 3 Sheets
 FILE NAME: P:\000\p00\bandray.com\PILOT\Documents\IJDOT\Office\Bridges\CAD\Drawings\66H62_Plan_Stage_3

USER NAME = Joseph.Zagar	DESIGNED -	REVISED -
PLOT SCALE = \$SCALE\$	DRAWN -	REVISED -
PLOT DATE = 2/20/2024	CHECKED -	REVISED -
	DATE -	REVISED -

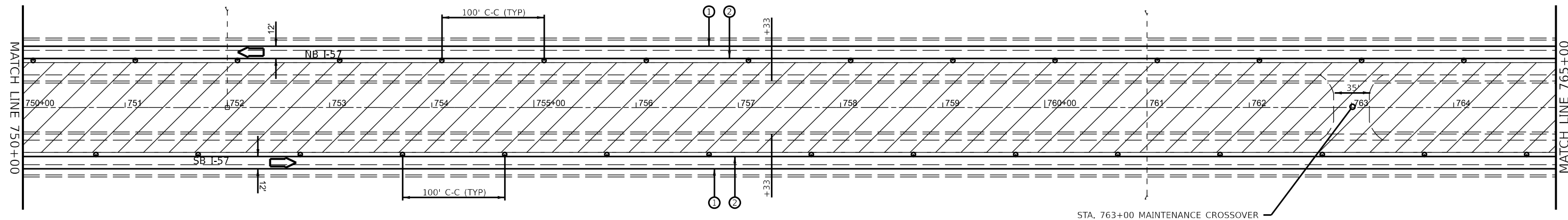
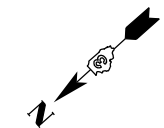
**STATE OF ILLINOIS
DEPARTMENT OF TRANSPORTATION**

STAGE 3 TRAFFIC CONTROL

F.A.I. RTE.	SECTION	COUNTY	TOTAL SHEETS	SHEET NO.
57	(38-6,38-5)RS,BRR,CLV	IROQUOIS	213	165
CONTRACT NO. 66H62				
ILLINOIS FED. AID PROJECT				

SCALE: SHEET 10 OF 17 SHEETS STA. TO STA.

Long Section Number



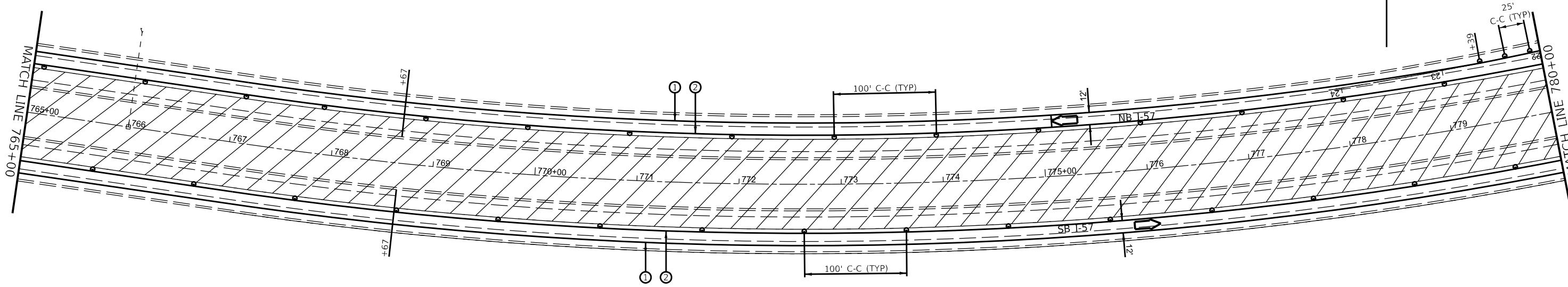
LEGEND

<ul style="list-style-type: none"> DIRECTION INDICATOR BARRICADE WITH STEADY BURN MONODIRECTIONAL LIGHT DRUMS WITH MONO-DIRECTIONAL STEADY BURNING LIGHTS DIRECTION OF TRAFFIC IMPACT ATTENUATOR, TEMPORARY (NON-REDIRECTIVE TL 3) TEMPORARY CONCRETE BARRIER 	<ul style="list-style-type: none"> ARROW BOARD CLASS A PATCHING UNDER STRUCTURES WORK ZONE 	<ul style="list-style-type: none"> EXISTING PAVEMENT MARKING TEMPORARY PAVEMENT MARKING TYPE IV TAPE - WHITE TEMPORARY PAVEMENT MARKING TYPE IV TAPE - YELLOW SHORT TERM PAVEMENT MARKING
---	--	---

NOTES:
 ALTERATIONS TO THE TRAFFIC CONTROL PLAN SHALL BE APPROVED BY THE ENGINEER.
 USE TRAFFIC CONTROL STANDARDS 701400, 701401/701402 & 701406 FOR STAGE 3 WORKZONE. USE 701411 & 701456 FOR ALL RAMPS.
 (NOT ALL TRAFFIC CONTROL DEVICES & SIGNING SHOWN) ADJUST RAMP OPENINGS IF REQUIRED.



SEE HWY STND 701411 & 701456 FOR TRAFFIC CONTROL REQUIREMENTS AT RAMPS



REV. 2/20/2024 JZ

MODEL - Stage 3 Sheets
 FILE NAME - P:\Projects\2024\2024-03-08\I-57\CD\Drawings\66H62_Plan_Stage 3

USER NAME = Joseph.Zagar	DESIGNED -	REVISED -	
	DRAWN -	REVISED -	
PLOT SCALE = \$SCALE\$	CHECKED -	REVISED -	
PLOT DATE = 2/20/2024	DATE -	REVISED -	

**STATE OF ILLINOIS
DEPARTMENT OF TRANSPORTATION**

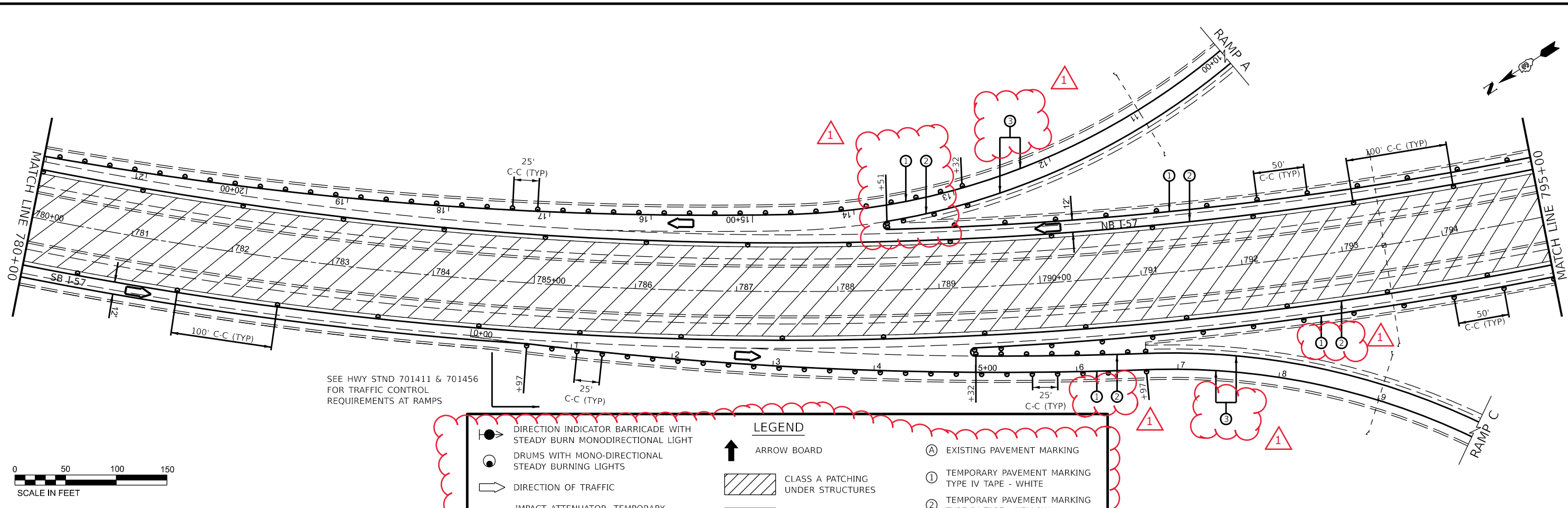
STAGE 3 TRAFFIC CONTROL

SCALE: SHEET 11 OF 17 SHEETS STA. TO STA.

F.A.I. RTE.	SECTION	COUNTY	TOTAL SHEETS	SHEET NO.
57	(38-6,38-5)RS,BRR,CLV	IROQUOIS	213	166
CONTRACT NO. 66H62				
ILLINOIS FED. AID PROJECT				

Long Section Number

MODEL Stage 3 Sheets
FILE NAME: I:\Projects\66H62\Drawings\DOT\Office\Drawings\CAD\Drawings\66H62_Plan_Stage 3

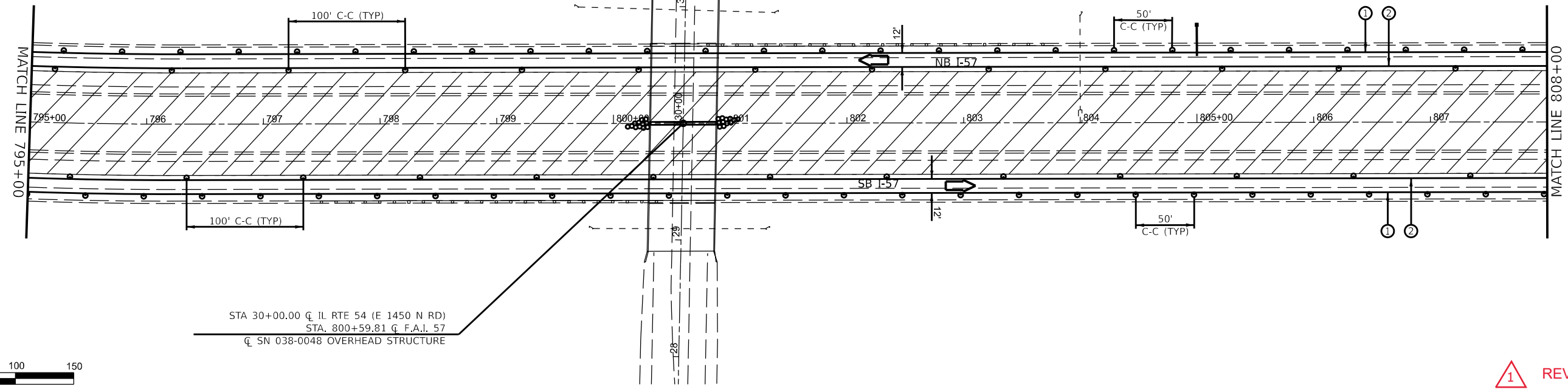


SEE HWY STND 701411 & 701456 FOR TRAFFIC CONTROL REQUIREMENTS AT RAMP

LEGEND

	DIRECTION INDICATOR BARRICADE WITH STEADY BURN MONODIRECTIONAL LIGHT		ARROW BOARD		EXISTING PAVEMENT MARKING
	DRUMS WITH MONO-DIRECTIONAL STEADY BURNING LIGHTS		CLASS A PATCHING UNDER STRUCTURES		TEMPORARY PAVEMENT MARKING TYPE IV TAPE - WHITE
	DIRECTION OF TRAFFIC		WORK ZONE		TEMPORARY PAVEMENT MARKING TYPE IV TAPE - YELLOW
	IMPACT ATTENUATOR, TEMPORARY (NON-REDIRECTIVE TL 3)				SHORT TERM PAVEMENT MARKING
	TEMPORARY CONCRETE BARRIER				

NOTES:
ALTERATIONS TO THE TRAFFIC CONTROL PLAN SHALL BE APPROVED BY THE ENGINEER.
USE TRAFFIC CONTROL STANDARDS 701400, 701401/701402 & 701406 FOR STAGE 3 WORKZONE. USE 701411 & 701456 FOR ALL RAMP. (NOT ALL TRAFFIC CONTROL DEVICES & SIGNING SHOWN) ADJUST RAMP OPENINGS IF REQUIRED.



STA 30+00.00 CL IL RTE 54 (E 1450 N RD)
STA. 800+59.81 CL F.A.I. 57
CL SN 038-0048 OVERHEAD STRUCTURE

REV. 2/20/2024 JZ

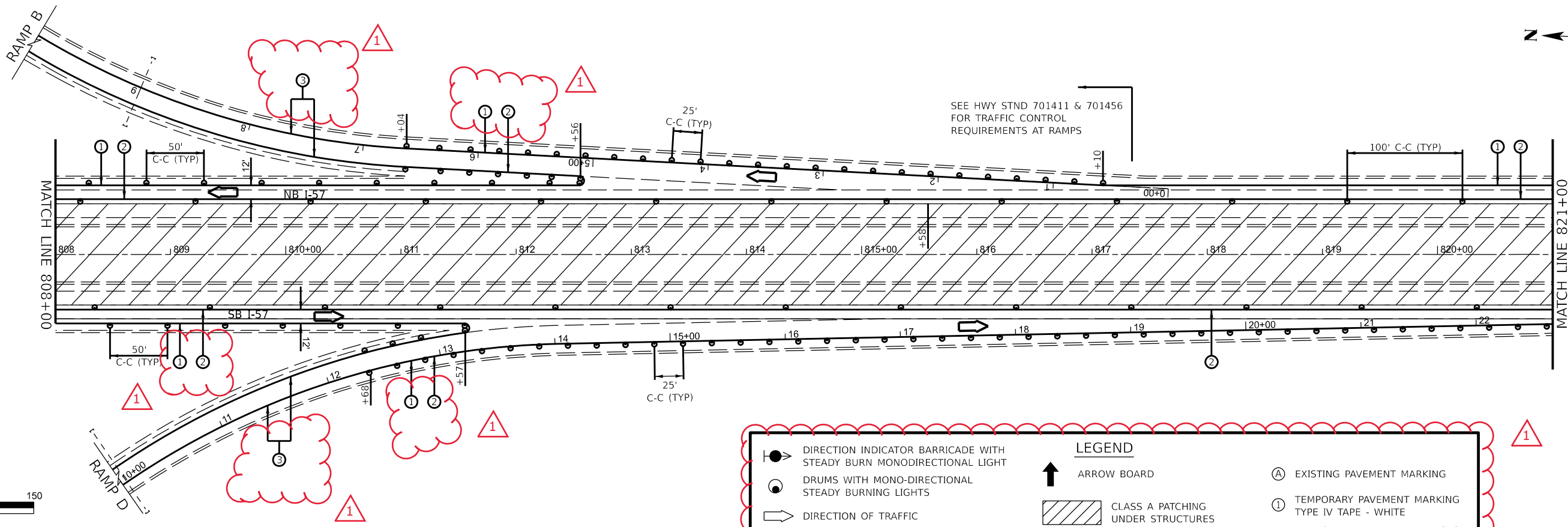
USER NAME = Joseph.Zagar	DESIGNED -	REVISED -
PLOT SCALE = \$SCALE\$	DRAWN -	REVISED -
PLOT DATE = 2/20/2024	CHECKED -	REVISED -
	DATE -	REVISED -

**STATE OF ILLINOIS
DEPARTMENT OF TRANSPORTATION**

STAGE 3 TRAFFIC CONTROL			
SCALE:	SHEET 12	OF 17 SHEETS	STA. TO STA.

F.A.I. RTE.	SECTION	COUNTY	TOTAL SHEETS	SHEET NO.
57	(38-6,38-5)RS,BRR,CLV	IROQUOIS	213	167
CONTRACT NO. 66H62				
ILLINOIS FED. AID PROJECT				

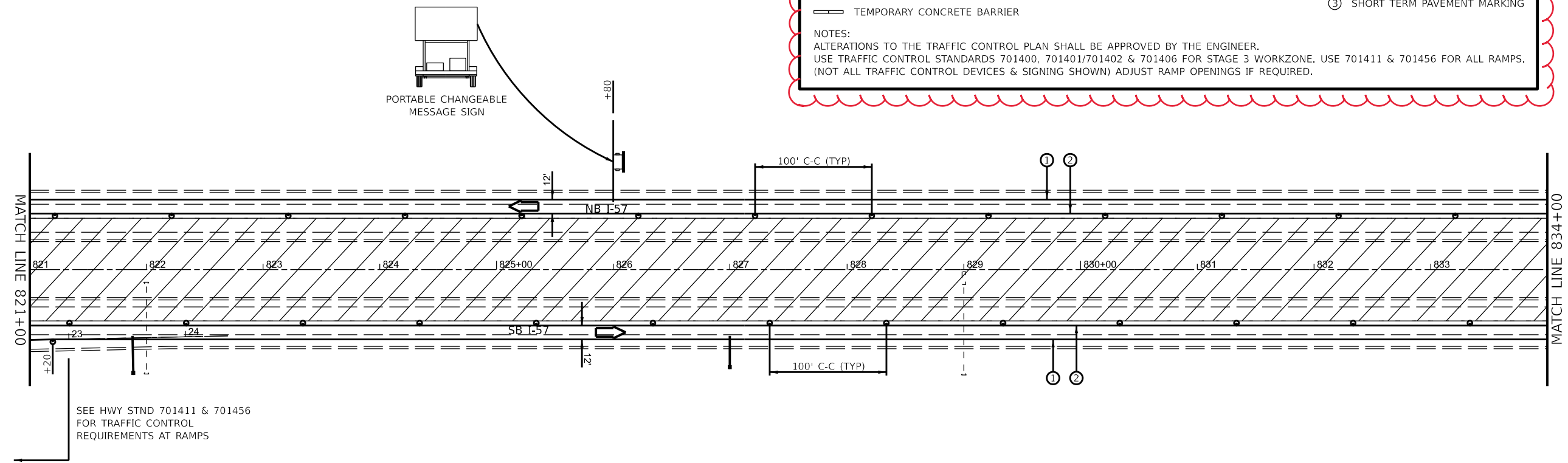
Long Section Number



LEGEND

- DIRECTION INDICATOR BARRICADE WITH STEADY BURN MONODIRECTIONAL LIGHT
- DRUMS WITH MONO-DIRECTIONAL STEADY BURNING LIGHTS
- DIRECTION OF TRAFFIC
- IMPACT ATTENUATOR, TEMPORARY (NON-REDIRECTIVE TL 3)
- TEMPORARY CONCRETE BARRIER
- ARROW BOARD
- CLASS A PATCHING UNDER STRUCTURES
- WORK ZONE
- (A) EXISTING PAVEMENT MARKING
- (1) TEMPORARY PAVEMENT MARKING TYPE IV TAPE - WHITE
- (2) TEMPORARY PAVEMENT MARKING TYPE IV TAPE - YELLOW
- (3) SHORT TERM PAVEMENT MARKING

NOTES:
 ALTERATIONS TO THE TRAFFIC CONTROL PLAN SHALL BE APPROVED BY THE ENGINEER.
 USE TRAFFIC CONTROL STANDARDS 701400, 701401/701402 & 701406 FOR STAGE 3 WORKZONE. USE 701411 & 701456 FOR ALL RAMP. (NOT ALL TRAFFIC CONTROL DEVICES & SIGNING SHOWN) ADJUST RAMP OPENINGS IF REQUIRED.



MODEL: Stage 3 Sheets
 FILE NAME: P:\000\p000\hardway.com\PI\DOT\Documents\I\DOT\Office\Dist\13\CRD\Project\0384842\CADD\06\hws\06462_Plan_Stage 3

REV. 2/20/2024 JZ

USER NAME = Joseph.Zagar	DESIGNED -	REVISED -
DRAWN -	REVISOR -	
PLOT SCALE = \$SCALE\$	CHECKED -	REVISOR -
PLOT DATE = 2/20/2024	DATE -	REVISOR -

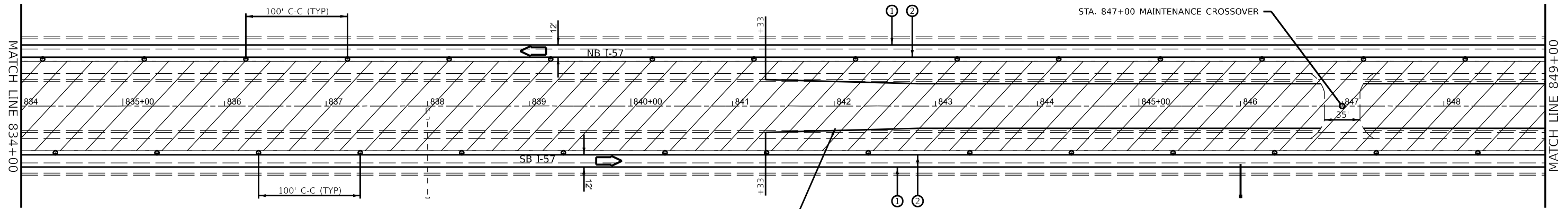
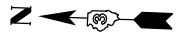
**STATE OF ILLINOIS
DEPARTMENT OF TRANSPORTATION**

STAGE 3 TRAFFIC CONTROL

SCALE: SHEET 13 OF 17 SHEETS STA. TO STA.

F.A.I. RTE.	SECTION	COUNTY	TOTAL SHEETS	SHEET NO.
57	(38-6,38-5)RS,BRR,CLV	IROQUOIS	213	168
CONTRACT NO. 66H62				

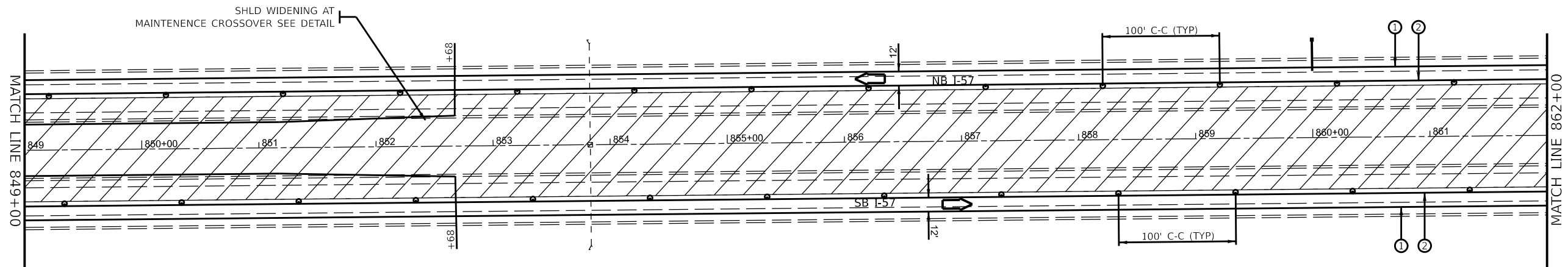
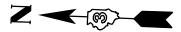
Long Section Number



LEGEND

DIRECTION INDICATOR BARRICADE WITH STEADY BURN MONODIRECTIONAL LIGHT	ARROW BOARD	EXISTING PAVEMENT MARKING
DRUMS WITH MONO-DIRECTIONAL STEADY BURNING LIGHTS	CLASS A PATCHING UNDER STRUCTURES	TEMPORARY PAVEMENT MARKING TYPE IV TAPE - WHITE
DIRECTION OF TRAFFIC	WORK ZONE	TEMPORARY PAVEMENT MARKING TYPE IV TAPE - YELLOW
IMPACT ATTENUATOR, TEMPORARY (NON-REDIRECTIVE TL 3)		SHORT TERM PAVEMENT MARKING
TEMPORARY CONCRETE BARRIER		

NOTES:
 ALTERATIONS TO THE TRAFFIC CONTROL PLAN SHALL BE APPROVED BY THE ENGINEER.
 USE TRAFFIC CONTROL STANDARDS 701400, 701401/701402 & 701406 FOR STAGE 3 WORKZONE. USE 701411 & 701456 FOR ALL RAMPS.
 (NOT ALL TRAFFIC CONTROL DEVICES & SIGNING SHOWN) ADJUST RAMP OPENINGS IF REQUIRED.



REV. 2/20/2024 JZ

MODEL Stage 3 Sheets
 FILE NAME: P:\0306\66H62\0306\66H62\DOT Documents\13CRD Project\0306H62\CADD\0306\66H62_Plan_Stage 3

USER NAME = Joseph.Zagar	DESIGNED -	REVISED -
PLOT SCALE = \$SCALE\$	DRAWN -	REVISED -
PLOT DATE = 2/20/2024	CHECKED -	REVISED -
	DATE -	REVISED -

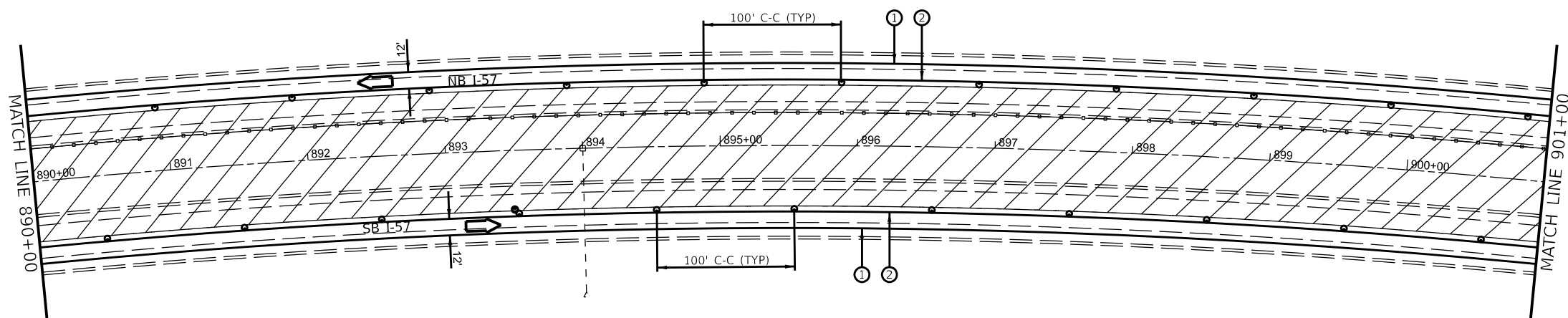
**STATE OF ILLINOIS
 DEPARTMENT OF TRANSPORTATION**

STAGE 3 TRAFFIC CONTROL

SCALE: SHEET 14 OF 17 SHEETS STA. TO STA.

F.A.I. RTE. 57	SECTION (38-6,38-5)RS,BRR,CLV	COUNTY IROQUOIS	TOTAL SHEETS 213	SHEET NO. 169
CONTRACT NO. 66H62				
ILLINOIS FED. AID PROJECT				

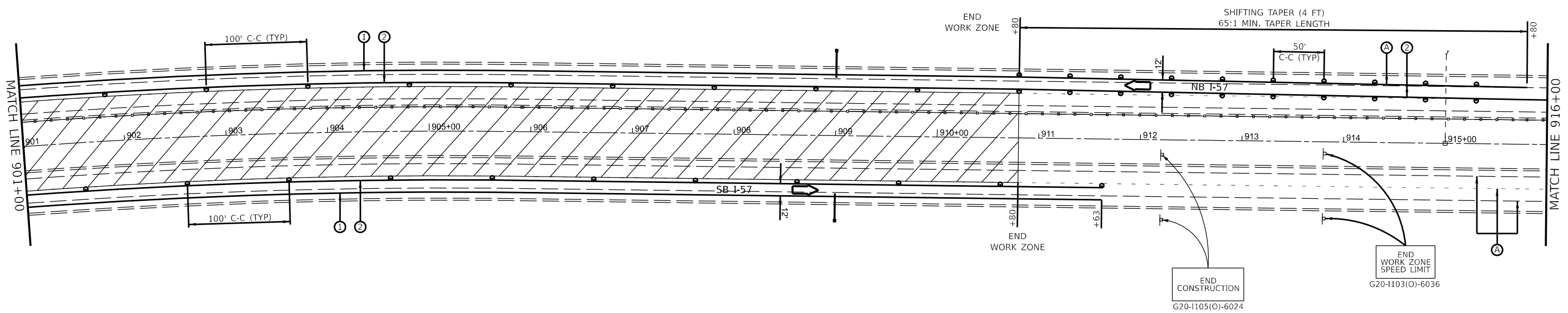
Long Section Number



LEGEND

<ul style="list-style-type: none"> DIRECTION INDICATOR BARRICADE WITH STEADY BURN MONODIRECTIONAL LIGHT DRUMS WITH MONO-DIRECTIONAL STEADY BURNING LIGHTS DIRECTION OF TRAFFIC IMPACT ATTENUATOR, TEMPORARY (NON-REDIRECTIVE TL 3) TEMPORARY CONCRETE BARRIER 	<ul style="list-style-type: none"> ARROW BOARD CLASS A PATCHING UNDER STRUCTURES WORK ZONE 	<ul style="list-style-type: none"> (A) EXISTING PAVEMENT MARKING (1) TEMPORARY PAVEMENT MARKING TYPE IV TAPE - WHITE (2) TEMPORARY PAVEMENT MARKING TYPE IV TAPE - YELLOW (3) SHORT TERM PAVEMENT MARKING
---	--	---

NOTES:
 ALTERATIONS TO THE TRAFFIC CONTROL PLAN SHALL BE APPROVED BY THE ENGINEER.
 USE TRAFFIC CONTROL STANDARDS 701400, 701401/701402 & 701406 FOR STAGE 3 WORKZONE. USE 701411 & 701456 FOR ALL RAMP.
 (NOT ALL TRAFFIC CONTROL DEVICES & SIGNING SHOWN) ADJUST RAMP OPENINGS IF REQUIRED.



1 REV. 2/20/2024 JZ

MODEL - Stage 3 Sheets
 FILE NAME - I:\Projects\66H62\Drawings\DOT\Office\Drawings\DOT\66H62\66H62_Plan_Stage 3

USER NAME = Joseph.Zagar	DESIGNED -	REVISED -
DRAWN -	REVISIONS -	
PLOT SCALE = \$SCALE\$	CHECKED -	REVISIONS -
PLOT DATE = 2/20/2024	DATE -	REVISIONS -

**STATE OF ILLINOIS
DEPARTMENT OF TRANSPORTATION**

STAGE 3 TRAFFIC CONTROL

SCALE: SHEET 16 OF 17 SHEETS STA. TO STA.

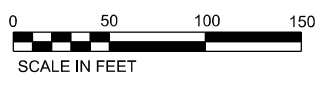
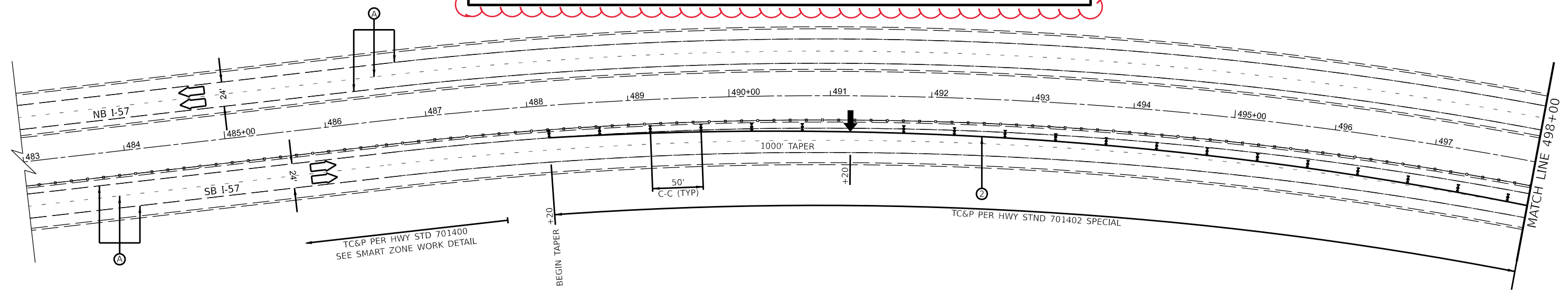
F.A.I. RTE.	SECTION	COUNTY	TOTAL SHEETS	SHEET NO.
57	(38-6,38-5)RS,BRR,CLV	IROQUOIS	213	171
CONTRACT NO. 66H62				
ILLINOIS FED. AID PROJECT				

Long Section Number

LEGEND

	DIRECTION INDICATOR BARRICADE WITH STEADY BURN MONODIRECTIONAL LIGHT		ARROW BOARD		EXISTING PAVEMENT MARKING
	DRUMS WITH MONO-DIRECTIONAL STEADY BURNING LIGHTS		CLASS A PATCHING UNDER STRUCTURES		TEMPORARY PAVEMENT MARKING TYPE IV TAPE - WHITE
	DIRECTION OF TRAFFIC		WORK ZONE		TEMPORARY PAVEMENT MARKING TYPE IV TAPE - YELLOW
	IMPACT ATTENUATOR, TEMPORARY (NON-REDIRECTIVE TL 3)				SHORT TERM PAVEMENT MARKING
	TEMPORARY CONCRETE BARRIER				

NOTES:
 ALTERATIONS TO THE TRAFFIC CONTROL PLAN SHALL BE APPROVED BY THE ENGINEER.
 USE TRAFFIC CONTROL STANDARD 701400 & 701406 FOR STAGE 4 WORKZONE. USE 701411 & 701456 FOR ALL RAMP.
 (NOT ALL TRAFFIC CONTROL DEVICES & SIGNING SHOWN) ADJUST RAMP OPENINGS IF REQUIRED.



REV. 2/20/2024 JZ

MODEL - Stage 4 Plan Sheets
 FILE NAME - P:\I190\66H62\Drawings\CADD\66H62\66H62-Plan-Sheet-4

USER NAME = Joseph.Zagar	DESIGNED -	REVISD -
PLOT SCALE = \$\$SCALE\$	DRAWN -	REVISED -
PLOT DATE = 2/20/2024	CHECKED -	REVISED -
	DATE -	REVISED -

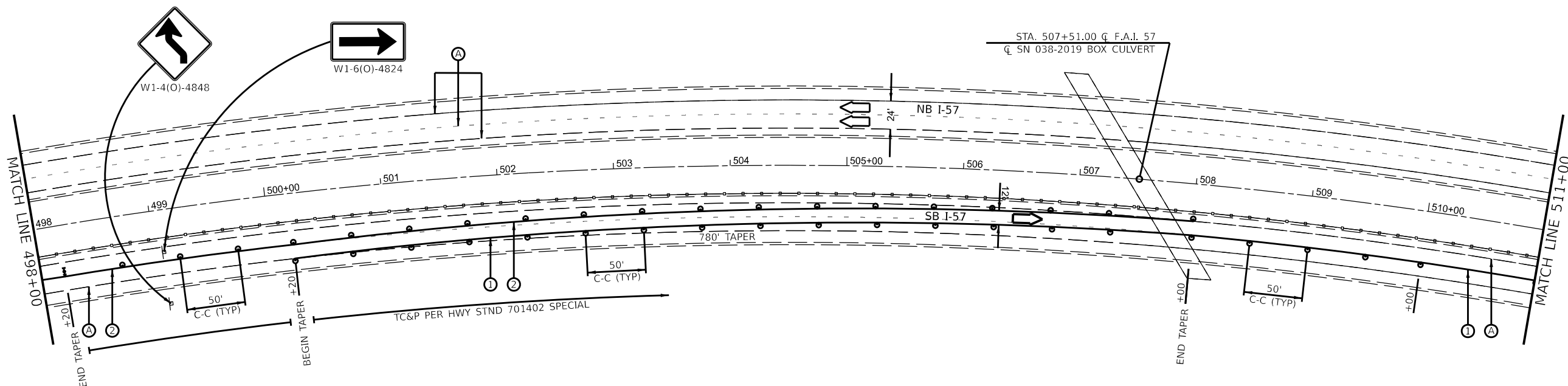
**STATE OF ILLINOIS
DEPARTMENT OF TRANSPORTATION**

STAGE 4 TRAFFIC CONTROL

SCALE: SHEET 1 OF 17 SHEETS STA. TO STA.

F.A.I. RTE.	SECTION	COUNTY	TOTAL SHEETS	SHEET NO.
57	(38-6,38-5)RS,BRR,CLV	IROQUOIS	213	173
CONTRACT NO. 66H62				
ILLINOIS FED. AID PROJECT				

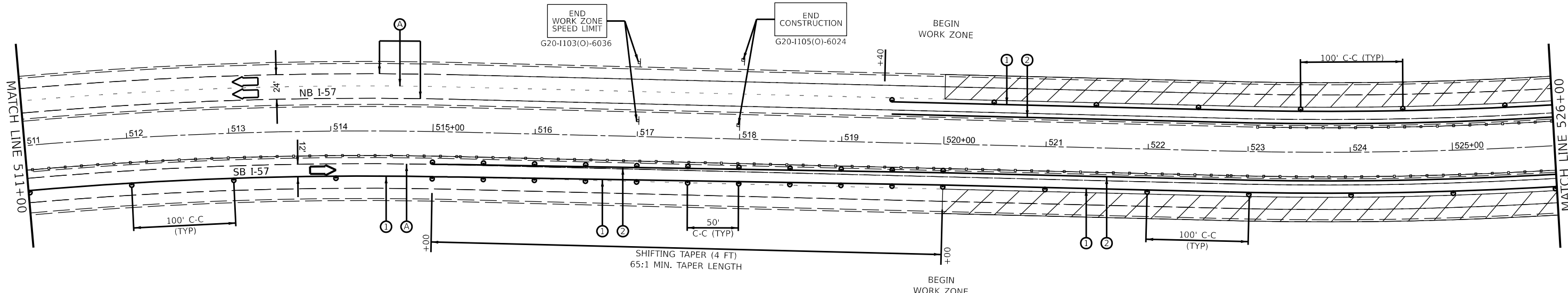
Long Section Number



LEGEND

- DIRECTION INDICATOR BARRICADE WITH STEADY BURN MONODIRECTIONAL LIGHT
- DRUMS WITH MONO-DIRECTIONAL STEADY BURNING LIGHTS
- DIRECTION OF TRAFFIC
- IMPACT ATTENUATOR, TEMPORARY (NON-REDIRECTIVE TL 3)
- TEMPORARY CONCRETE BARRIER
- ARROW BOARD
- CLASS A PATCHING UNDER STRUCTURES
- WORK ZONE
- (A) EXISTING PAVEMENT MARKING
- (1) TEMPORARY PAVEMENT MARKING TYPE IV TAPE - WHITE
- (2) TEMPORARY PAVEMENT MARKING TYPE IV TAPE - YELLOW
- (3) SHORT TERM PAVEMENT MARKING

NOTES:
 ALTERATIONS TO THE TRAFFIC CONTROL PLAN SHALL BE APPROVED BY THE ENGINEER.
 USE TRAFFIC CONTROL STANDARD 701400 & 701406 FOR STAGE 4 WORKZONE. USE 701411 & 701456 FOR ALL RAMPS.
 (NOT ALL TRAFFIC CONTROL DEVICES & SIGNING SHOWN) ADJUST RAMP OPENINGS IF REQUIRED.



REV. 2/20/2024 JZ

MODEL Stage 4 Plan Sheets
 FILE NAME: P:\Projects\2024\66666\Drawings\CD\Drawings\CD\Drawings\66666_Plan_Sheet_4

USER NAME = Joseph.Zagar	DESIGNED -	REVISED -
DRAWN -	REVISOR -	
PLOT SCALE = \$SCALE\$	CHECKED -	REVISOR -
PLOT DATE = 2/20/2024	DATE -	REVISOR -

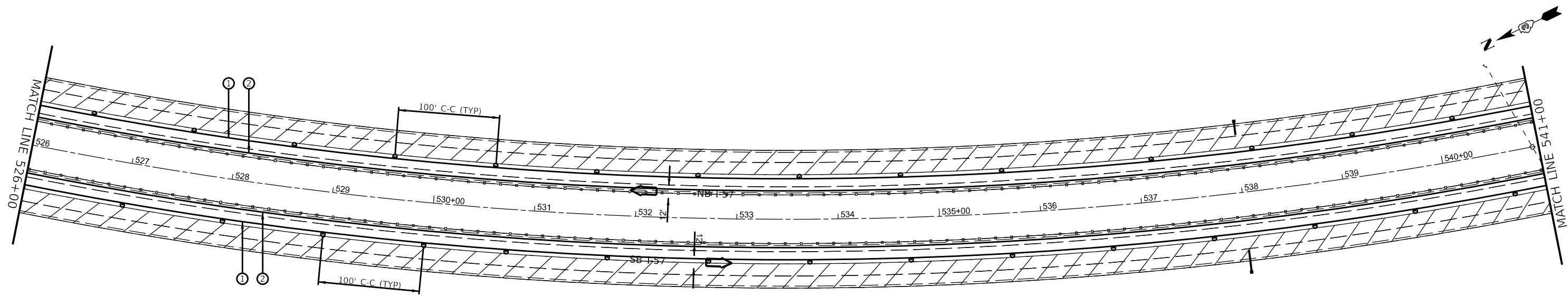
**STATE OF ILLINOIS
DEPARTMENT OF TRANSPORTATION**

STAGE 4 TRAFFIC CONTROL

SCALE: SHEET 2 OF 17 SHEETS STA. TO STA.

F.A.I. RTE.	SECTION	COUNTY	TOTAL SHEETS	SHEET NO.
57	(38-6,38-5)RS,BRR,CLV	IROQUOIS	213	174
CONTRACT NO. 66H62				

Long Section Number

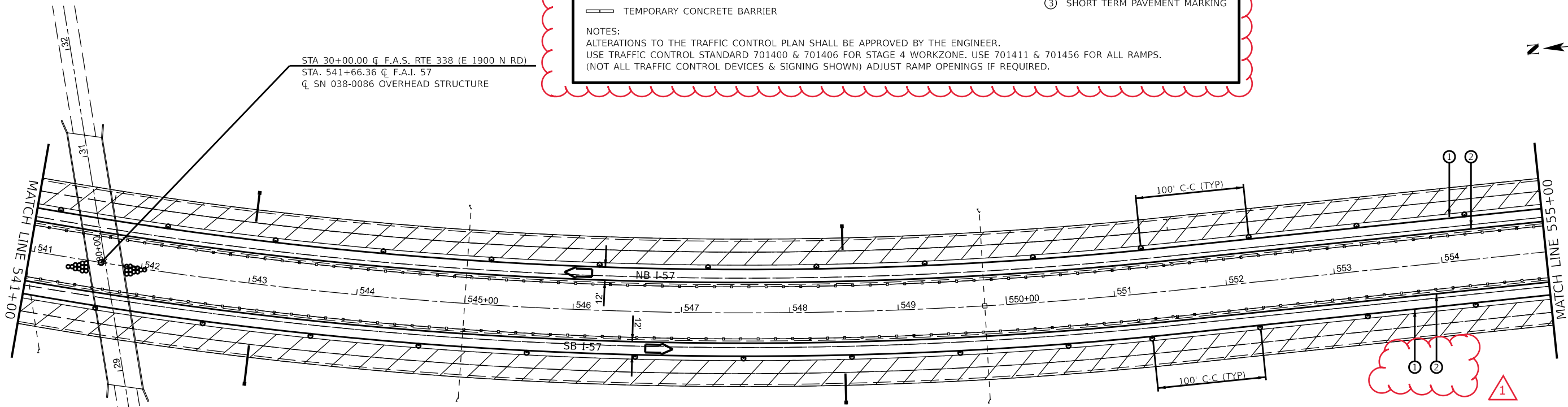


LEGEND

	DIRECTION INDICATOR BARRICADE WITH STEADY BURN MONODIRECTIONAL LIGHT		ARROW BOARD		EXISTING PAVEMENT MARKING
	DRUMS WITH MONO-DIRECTIONAL STEADY BURNING LIGHTS		CLASS A PATCHING UNDER STRUCTURES		TEMPORARY PAVEMENT MARKING TYPE IV TAPE - WHITE
	DIRECTION OF TRAFFIC		WORK ZONE		TEMPORARY PAVEMENT MARKING TYPE IV TAPE - YELLOW
	IMPACT ATTENUATOR, TEMPORARY (NON-REDIRECTIVE TL 3)				SHORT TERM PAVEMENT MARKING
	TEMPORARY CONCRETE BARRIER				

NOTES:
 ALTERATIONS TO THE TRAFFIC CONTROL PLAN SHALL BE APPROVED BY THE ENGINEER.
 USE TRAFFIC CONTROL STANDARD 701400 & 701406 FOR STAGE 4 WORKZONE. USE 701411 & 701456 FOR ALL RAMP.
 (NOT ALL TRAFFIC CONTROL DEVICES & SIGNING SHOWN) ADJUST RAMP OPENINGS IF REQUIRED.

STA 30+00.00 \bar{C} F.A.S. RTE 338 (E 1900 N RD)
 STA. 541+66.36 \bar{C} F.A.I. 57
 \bar{C} SN 038-0086 OVERHEAD STRUCTURE



REV. 2/20/2024 JZ

MODEL Stage 4 Plan Sheets
 FILE NAME: P:\038-0086\Drawings\DOT\Office\Drawings\3-CRD\Project\038-0086\CADD\Drawings\CD\Drawings\66H62_Plan_Sheet_4

USER NAME = Joseph.Zagar	DESIGNED -	REVISED -
PLOT SCALE = \$SCALE\$	DRAWN -	REVISED -
PLOT DATE = 2/20/2024	CHECKED -	REVISED -
	DATE -	REVISED -

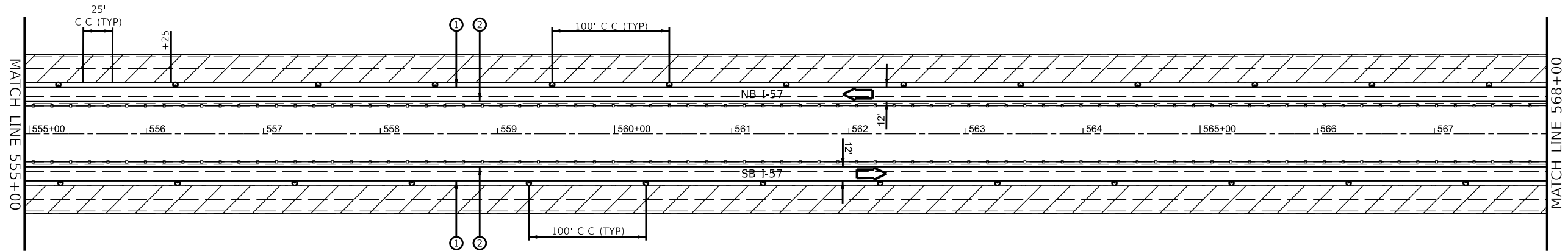
**STATE OF ILLINOIS
DEPARTMENT OF TRANSPORTATION**

STAGE 4 TRAFFIC CONTROL

SCALE: SHEET 3 OF 17 SHEETS STA. TO STA.

F.A.I. RTE.	SECTION	COUNTY	TOTAL SHEETS	SHEET NO.
57	(38-6,38-5)RS,BRR,CLV	IROQUOIS	213	175
CONTRACT NO. 66H62				
ILLINOIS FED. AID PROJECT				

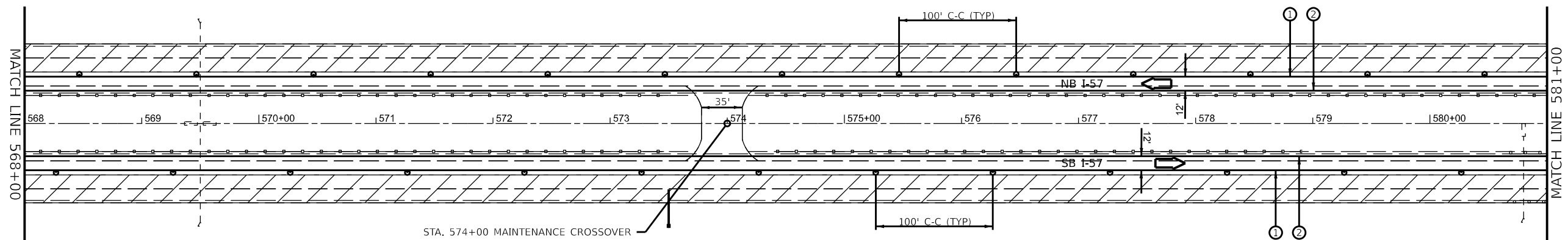
Long Section Number



LEGEND

DIRECTION INDICATOR BARRICADE WITH STEADY BURN MONODIRECTIONAL LIGHT	ARROW BOARD	EXISTING PAVEMENT MARKING
DRUMS WITH MONO-DIRECTIONAL STEADY BURNING LIGHTS	CLASS A PATCHING UNDER STRUCTURES	TEMPORARY PAVEMENT MARKING TYPE IV TAPE - WHITE
DIRECTION OF TRAFFIC	WORK ZONE	TEMPORARY PAVEMENT MARKING TYPE IV TAPE - YELLOW
IMPACT ATTENUATOR, TEMPORARY (NON-REDIRECTIVE TL 3)		SHORT TERM PAVEMENT MARKING
TEMPORARY CONCRETE BARRIER		

NOTES:
 ALTERATIONS TO THE TRAFFIC CONTROL PLAN SHALL BE APPROVED BY THE ENGINEER.
 USE TRAFFIC CONTROL STANDARD 701400 & 701406 FOR STAGE 4 WORKZONE. USE 701411 & 701456 FOR ALL RAMPS.
 (NOT ALL TRAFFIC CONTROL DEVICES & SIGNING SHOWN) ADJUST RAMP OPENINGS IF REQUIRED.



REV. 2/20/2024 JZ

MODEL Stage 4 Plan Sheets
 FILE NAME: P:\InfoSpace\msh\p\msh\DOT\Documents\IJOB\Office\Ibid\3\CRD\Project\0388\452\CADD\Drawings\66H62_Plan_Stage 4

USER NAME = Joseph.Zagar	DESIGNED -	REVISED -
DRAWN -	REVISED -	
PLOT SCALE = \$SCALE\$	CHECKED -	REVISED -
PLOT DATE = 2/20/2024	DATE -	REVISED -

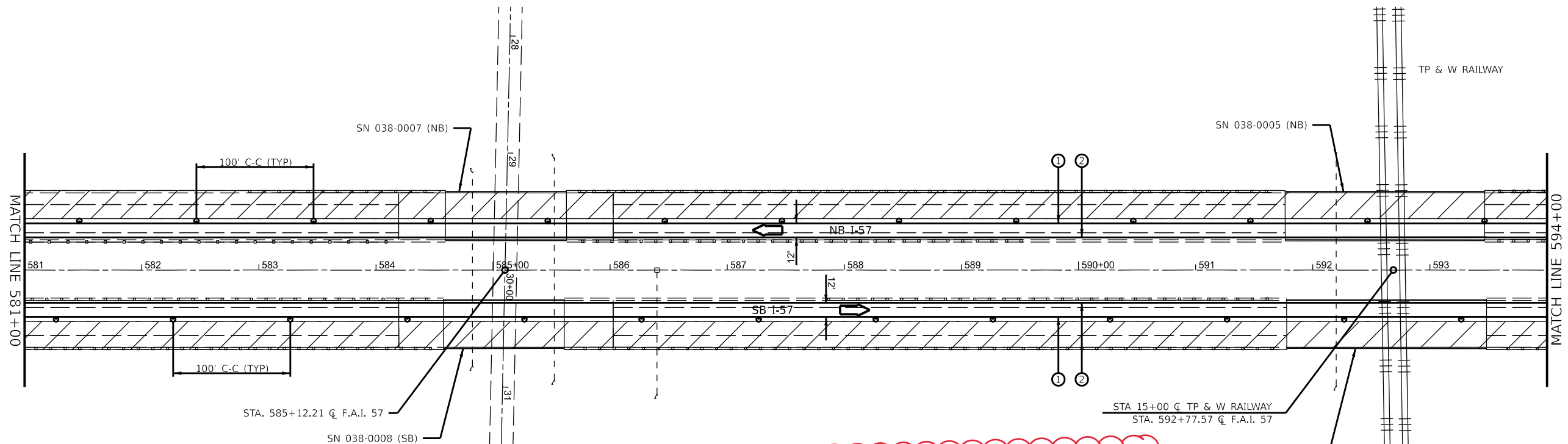
**STATE OF ILLINOIS
DEPARTMENT OF TRANSPORTATION**

STAGE 4 TRAFFIC CONTROL

SCALE: SHEET 4 OF 17 SHEETS STA. TO STA.

F.A.I RTE.	SECTION	COUNTY	TOTAL SHEETS	SHEET NO.
57	(38-6,38-5)RS,BRR,CLV	IROQUOIS	213	176
CONTRACT NO. 66H62				

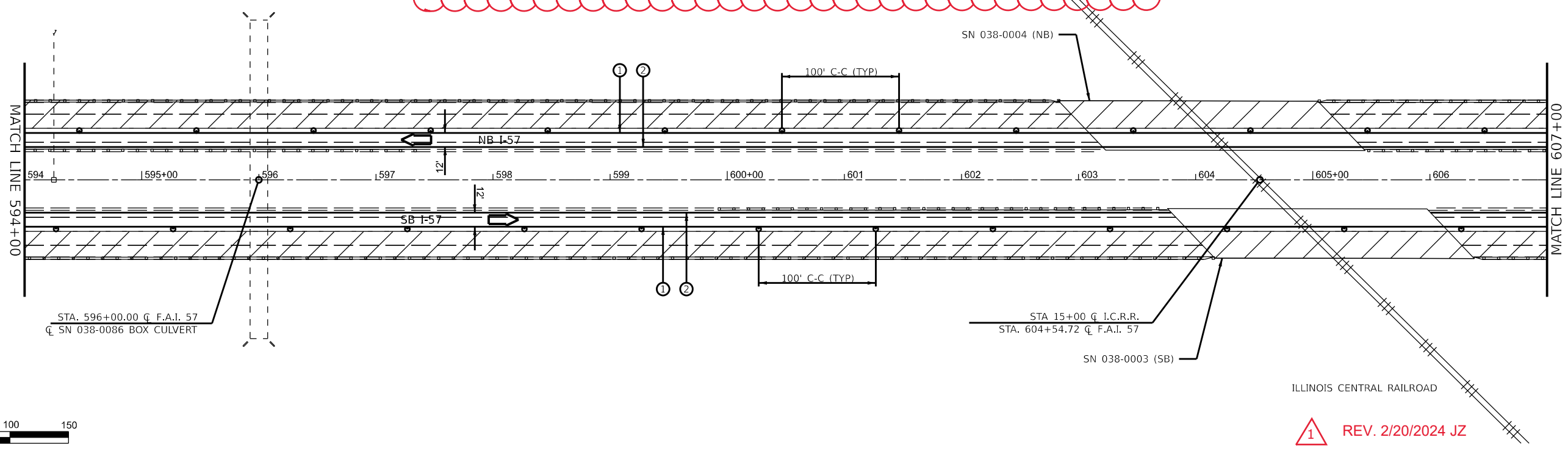
ILLINOIS FED. AID PROJECT
Long Section Number



LEGEND

	DIRECTION INDICATOR BARRICADE WITH STEADY BURN MONODIRECTIONAL LIGHT		ARROW BOARD		EXISTING PAVEMENT MARKING
	DRUMS WITH MONO-DIRECTIONAL STEADY BURNING LIGHTS		CLASS A PATCHING UNDER STRUCTURES		TEMPORARY PAVEMENT MARKING TYPE IV TAPE - WHITE
	DIRECTION OF TRAFFIC		WORK ZONE		TEMPORARY PAVEMENT MARKING TYPE IV TAPE - YELLOW
	IMPACT ATTENUATOR, TEMPORARY (NON-REDIRECTIVE TL 3)				SHORT TERM PAVEMENT MARKING
	TEMPORARY CONCRETE BARRIER				

NOTES:
 ALTERATIONS TO THE TRAFFIC CONTROL PLAN SHALL BE APPROVED BY THE ENGINEER.
 USE TRAFFIC CONTROL STANDARD 701400 & 701406 FOR STAGE 4 WORKZONE. USE 701411 & 701456 FOR ALL RAMP.
 (NOT ALL TRAFFIC CONTROL DEVICES & SIGNING SHOWN) ADJUST RAMP OPENINGS IF REQUIRED.



REV. 2/20/2024 JZ

MODEL: Stage 4 Plan Sheets
 FILE NAME: P:\Projects\2024\66H62\CD\Drawings\66H62_Plan_Sheet_4

USER NAME = Joseph.Zagar	DESIGNED -	REVISED -
PLOT SCALE = \$SCALE\$	DRAWN -	REVISED -
PLOT DATE = 2/20/2024	CHECKED -	REVISED -
	DATE -	REVISED -

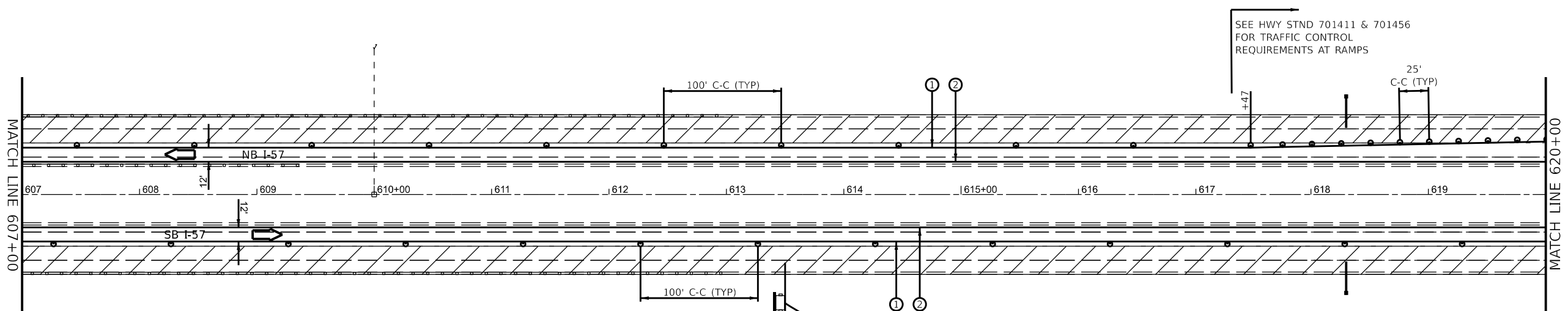
**STATE OF ILLINOIS
DEPARTMENT OF TRANSPORTATION**

STAGE 4 TRAFFIC CONTROL

F.A.I. RTE. 57	SECTION (38-6.38-5)RS,BRR,CLV	COUNTY IROQUOIS	TOTAL SHEETS 213	SHEET NO. 177
CONTRACT NO. 66H62				
ILLINOIS FED. AID PROJECT				

SCALE: SHEET 5 OF 17 SHEETS STA. TO STA.

Long Section Number



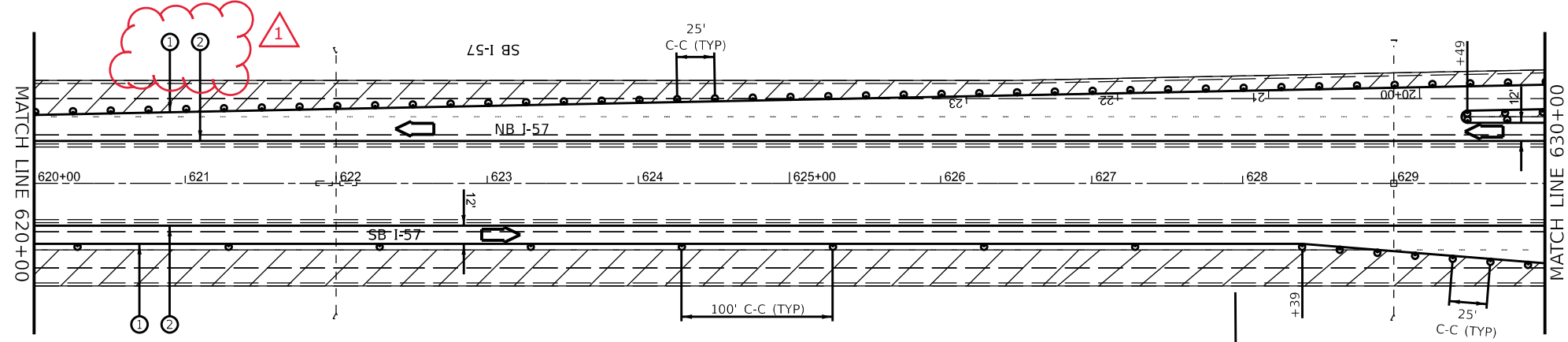
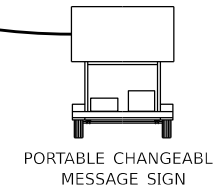
SEE HWY STND 701411 & 701456 FOR TRAFFIC CONTROL REQUIREMENTS AT RAMPS



LEGEND

- DIRECTION INDICATOR BARRICADE WITH STEADY BURN MONODIRECTIONAL LIGHT
- DRUMS WITH MONO-DIRECTIONAL STEADY BURNING LIGHTS
- DIRECTION OF TRAFFIC
- IMPACT ATTENUATOR, TEMPORARY (NON-REDIRECTIVE TL 3)
- TEMPORARY CONCRETE BARRIER
- ARROW BOARD
- CLASS A PATCHING UNDER STRUCTURES
- WORK ZONE
- (A) EXISTING PAVEMENT MARKING
- (1) TEMPORARY PAVEMENT MARKING TYPE IV TAPE - WHITE
- (2) TEMPORARY PAVEMENT MARKING TYPE IV TAPE - YELLOW
- (3) SHORT TERM PAVEMENT MARKING

NOTES:
 ALTERATIONS TO THE TRAFFIC CONTROL PLAN SHALL BE APPROVED BY THE ENGINEER.
 USE TRAFFIC CONTROL STANDARD 701400 & 701406 FOR STAGE 4 WORKZONE. USE 701411 & 701456 FOR ALL RAMPS.
 (NOT ALL TRAFFIC CONTROL DEVICES & SIGNING SHOWN) ADJUST RAMP OPENINGS IF REQUIRED.



SEE HWY STND 701411 & 701456 FOR TRAFFIC CONTROL REQUIREMENTS AT RAMPS



REV. 2/20/2024 JZ

MODEL Stage 4 Plan Sheets
 FILE NAME: P:\Projects\66H62\66H62-CAD\Drawings\66H62-Plan_Sheet_4

USER NAME = Joseph.Zagar	DESIGNED -	REVISED -
DRAWN -	REVISOR -	
PLOT SCALE = \$SCALE\$	CHECKED -	REVISOR -
PLOT DATE = 2/20/2024	DATE -	REVISOR -

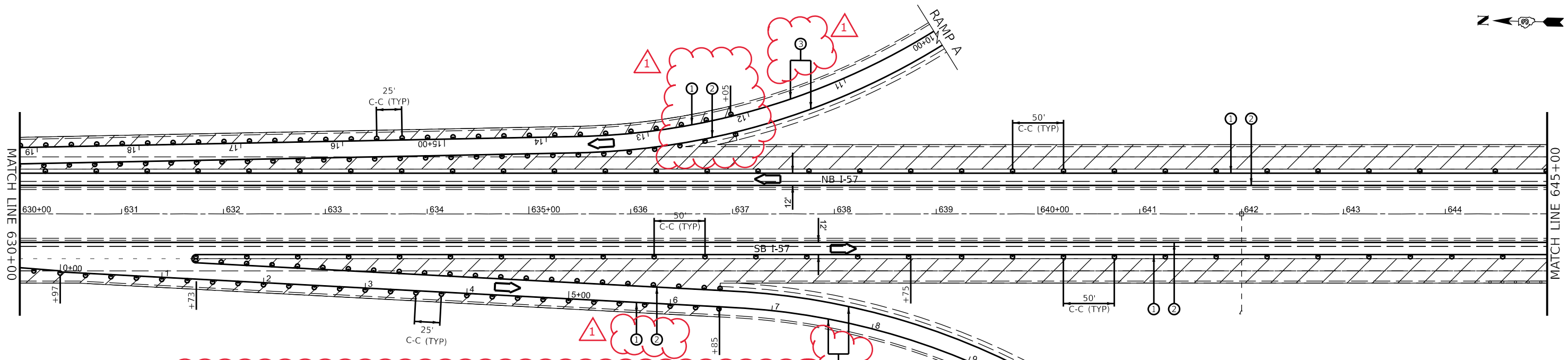
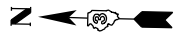
**STATE OF ILLINOIS
DEPARTMENT OF TRANSPORTATION**

STAGE 4 TRAFFIC CONTROL

F.A.I. RTE.	SECTION	COUNTY	TOTAL SHEETS	SHEET NO.
57	(38-6,38-5)RS,BRR,CLV	IROQUOIS	213	178
CONTRACT NO. 66H62				
ILLINOIS FED. AID PROJECT				

SCALE: SHEET 6 OF 17 SHEETS STA. TO STA.

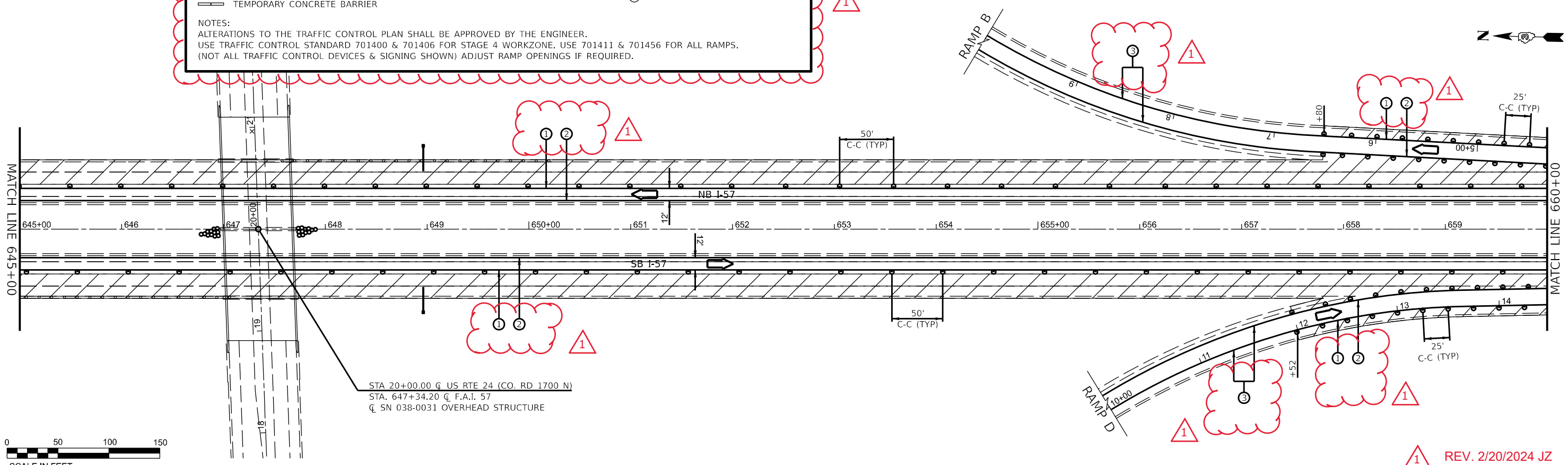
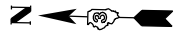
Long Section Number



LEGEND

	DIRECTION INDICATOR BARRICADE WITH STEADY BURN MONODIRECTIONAL LIGHT		ARROW BOARD		EXISTING PAVEMENT MARKING
	DRUMS WITH MONO-DIRECTIONAL STEADY BURNING LIGHTS		CLASS A PATCHING UNDER STRUCTURES		TEMPORARY PAVEMENT MARKING TYPE IV TAPE - WHITE
	DIRECTION OF TRAFFIC		WORK ZONE		TEMPORARY PAVEMENT MARKING TYPE IV TAPE - YELLOW
	IMPACT ATTENUATOR, TEMPORARY (NON-REDIRECTIVE TL 3)				SHORT TERM PAVEMENT MARKING
	TEMPORARY CONCRETE BARRIER				

NOTES:
 ALTERATIONS TO THE TRAFFIC CONTROL PLAN SHALL BE APPROVED BY THE ENGINEER.
 USE TRAFFIC CONTROL STANDARD 701400 & 701406 FOR STAGE 4 WORKZONE. USE 701411 & 701456 FOR ALL RAMP.
 (NOT ALL TRAFFIC CONTROL DEVICES & SIGNING SHOWN) ADJUST RAMP OPENINGS IF REQUIRED.



STA 20+00.00 @ US RTE 24 (CO. RD 1700 N)
 STA. 647+34.20 @ F.A.I. 57
 @ SN 038-0031 OVERHEAD STRUCTURE



REV. 2/20/2024 JZ

MODEL: Stage 4 Plan Sheets
 FILE NAME: P:\Projects\2024\66H62\66H62\CAD\Drawings\66H62_Plan_Sheet_4

USER NAME = Joseph.Zagar	DESIGNED -	REVISED -
DRAWN -	REVISOR -	
PLOT SCALE = \$SCALE\$	CHECKED -	REVISOR -
PLOT DATE = 2/20/2024	DATE -	REVISOR -

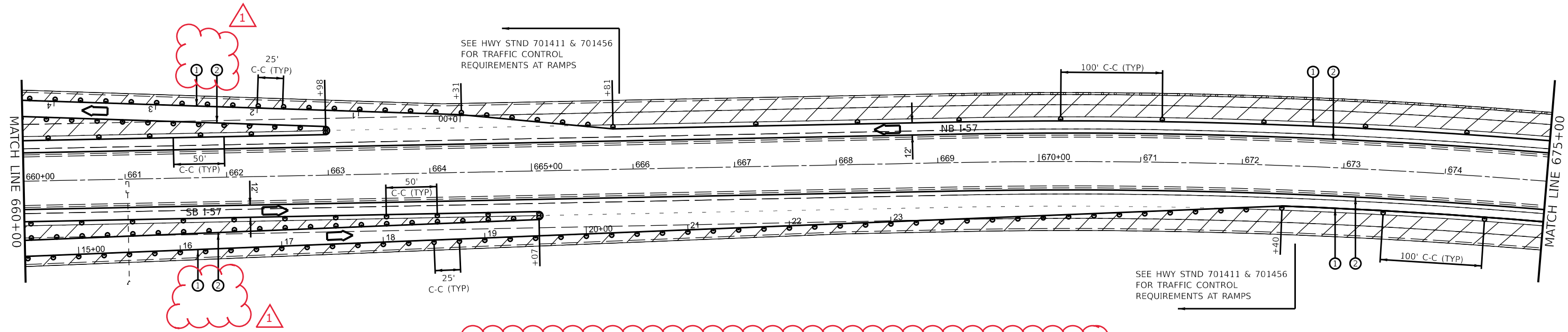
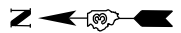
**STATE OF ILLINOIS
 DEPARTMENT OF TRANSPORTATION**

STAGE 4 TRAFFIC CONTROL

SCALE: SHEET 7 OF 17 SHEETS STA. TO STA.

F.A.I. RTE.	SECTION	COUNTY	TOTAL SHEETS	SHEET NO.
57	(38-6,38-5)RS,BRR,CLV	IROQUOIS	213	179
CONTRACT NO. 66H62				

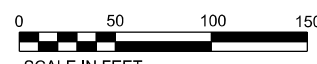
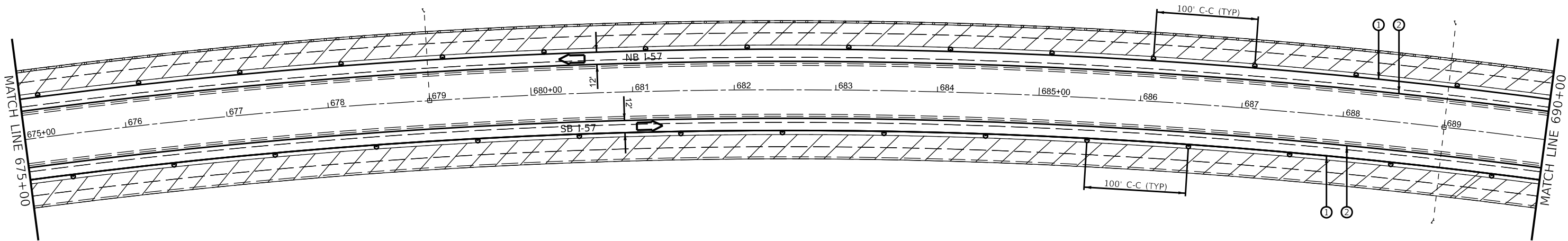
ILLINOIS FED. AID PROJECT Long Section Number



LEGEND

	DIRECTION INDICATOR BARRICADE WITH STEADY BURN MONODIRECTIONAL LIGHT		ARROW BOARD		EXISTING PAVEMENT MARKING
	DRUMS WITH MONO-DIRECTIONAL STEADY BURNING LIGHTS		CLASS A PATCHING UNDER STRUCTURES		TEMPORARY PAVEMENT MARKING TYPE IV TAPE - WHITE
	DIRECTION OF TRAFFIC		WORK ZONE		TEMPORARY PAVEMENT MARKING TYPE IV TAPE - YELLOW
	IMPACT ATTENUATOR, TEMPORARY (NON-REDIRECTIVE TL 3)				SHORT TERM PAVEMENT MARKING
	TEMPORARY CONCRETE BARRIER				

NOTES:
 ALTERATIONS TO THE TRAFFIC CONTROL PLAN SHALL BE APPROVED BY THE ENGINEER.
 USE TRAFFIC CONTROL STANDARD 701400 & 701406 FOR STAGE 4 WORKZONE. USE 701411 & 701456 FOR ALL RAMPS.
 (NOT ALL TRAFFIC CONTROL DEVICES & SIGNING SHOWN) ADJUST RAMP OPENINGS IF REQUIRED.



REV. 2/20/2024 JZ

MODEL - Stage 4 Plan Sheets
 FILE NAME - I:\Projects\2024\66H62\66H62-CAD\Drawings\66H62-Plan-Stage 4

USER NAME = Joseph.Zagar	DESIGNED -	REVISED -
DRAWN -	REVISOR -	
PLOT SCALE = \$SCALE\$	CHECKED -	REVISED -
PLOT DATE = 2/20/2024	DATE -	REVISED -

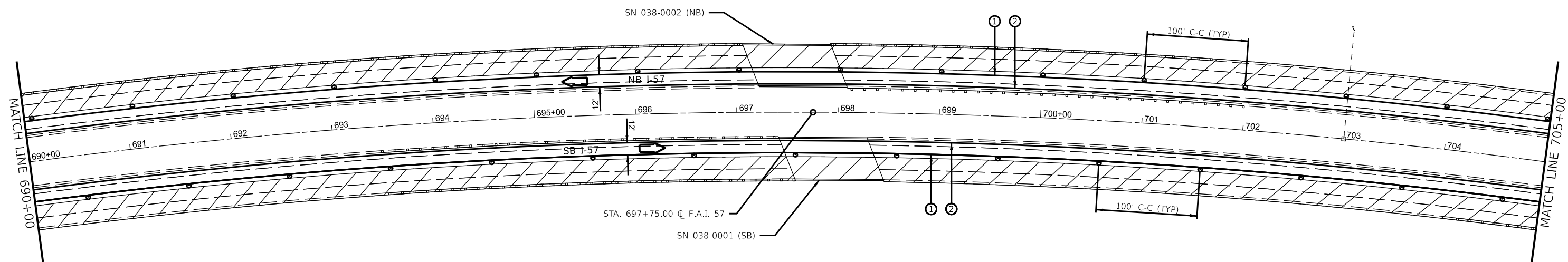
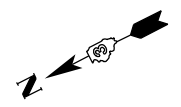
**STATE OF ILLINOIS
 DEPARTMENT OF TRANSPORTATION**

STAGE 4 TRAFFIC CONTROL

SCALE: SHEET 8 OF 17 SHEETS STA. TO STA.

F.A.I. RTE.	SECTION	COUNTY	TOTAL SHEETS	SHEET NO.
57	(38-6,38-5)RS,BRR,CLV	IROQUOIS	213	180
CONTRACT NO. 66H62				
ILLINOIS FED. AID PROJECT				

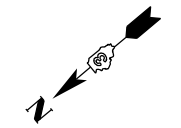
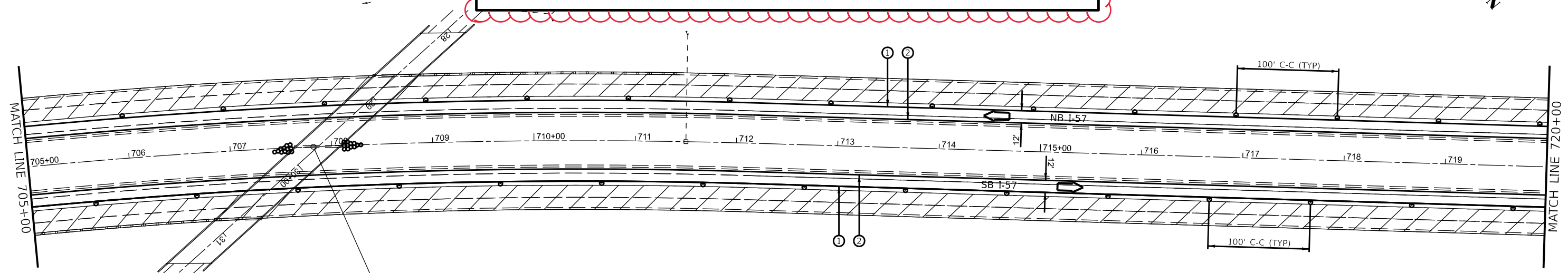
Long Section Number



LEGEND

- DIRECTION INDICATOR BARRICADE WITH STEADY BURN MONODIRECTIONAL LIGHT
- DRUMS WITH MONO-DIRECTIONAL STEADY BURNING LIGHTS
- ARROW BOARD
- DIRECTION OF TRAFFIC
- IMPACT ATTENUATOR, TEMPORARY (NON-REDIRECTIVE TL 3)
- TEMPORARY CONCRETE BARRIER
- CLASS A PATCHING UNDER STRUCTURES
- WORK ZONE
- (A) EXISTING PAVEMENT MARKING
- (1) TEMPORARY PAVEMENT MARKING TYPE IV TAPE - WHITE
- (2) TEMPORARY PAVEMENT MARKING TYPE IV TAPE - YELLOW
- (3) SHORT TERM PAVEMENT MARKING

NOTES:
 ALTERATIONS TO THE TRAFFIC CONTROL PLAN SHALL BE APPROVED BY THE ENGINEER.
 USE TRAFFIC CONTROL STANDARD 701400 & 701406 FOR STAGE 4 WORKZONE. USE 701411 & 701456 FOR ALL RAMPS.
 (NOT ALL TRAFFIC CONTROL DEVICES & SIGNING SHOWN) ADJUST RAMP OPENINGS IF REQUIRED.



REV. 2/20/2024 JZ

MODEL Stage 4 Plan Sheets
 FILE NAME: P:\Projects\Illinois\DOT\Office\Bridges\3-CRD\Project\038\662\CADD\Drawings\66H62_Plan_Sheet_4

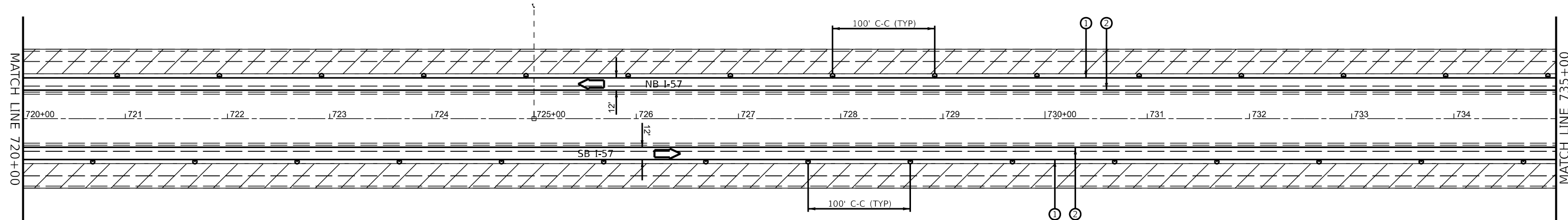
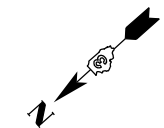
USER NAME = Joseph.Zagar	DESIGNED -	REVISED -
PLOT SCALE = \$SCALE\$	DRAWN -	REVISED -
PLOT DATE = 2/20/2024	CHECKED -	REVISED -
	DATE -	REVISED -

**STATE OF ILLINOIS
DEPARTMENT OF TRANSPORTATION**

STAGE 4 TRAFFIC CONTROL			
SCALE:	SHEET 9	OF 17	SHEETS
STA.		TO STA.	

F.A.I. RTE.	SECTION	COUNTY	TOTAL SHEETS	SHEET NO.
57	(38-6,38-5)RS,BRR,CLV	IROQUOIS	213	181
CONTRACT NO. 66H62				
ILLINOIS FED. AID PROJECT				

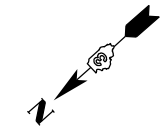
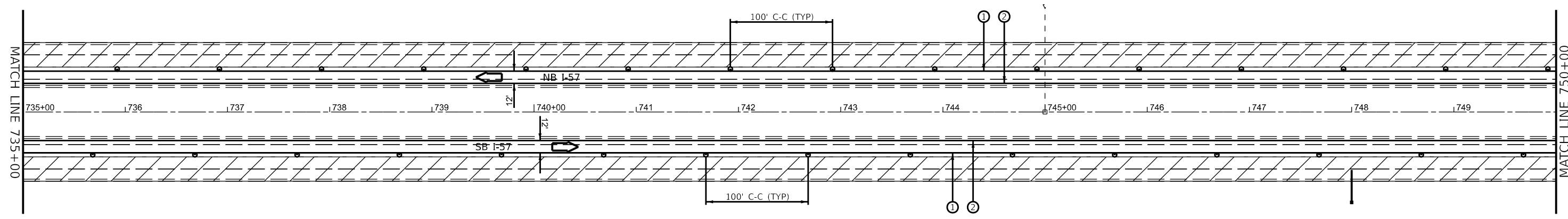
Long Section Number



LEGEND

- DIRECTION INDICATOR BARRICADE WITH STEADY BURN MONODIRECTIONAL LIGHT
- DRUMS WITH MONO-DIRECTIONAL STEADY BURNING LIGHTS
- DIRECTION OF TRAFFIC
- IMPACT ATTENUATOR, TEMPORARY (NON-REDIRECTIVE TL 3)
- TEMPORARY CONCRETE BARRIER
- ARROW BOARD
- CLASS A PATCHING UNDER STRUCTURES
- WORK ZONE
- (A) EXISTING PAVEMENT MARKING
- (1) TEMPORARY PAVEMENT MARKING TYPE IV TAPE - WHITE
- (2) TEMPORARY PAVEMENT MARKING TYPE IV TAPE - YELLOW
- (3) SHORT TERM PAVEMENT MARKING

NOTES:
 ALTERATIONS TO THE TRAFFIC CONTROL PLAN SHALL BE APPROVED BY THE ENGINEER.
 USE TRAFFIC CONTROL STANDARD 701400 & 701406 FOR STAGE 4 WORKZONE. USE 701411 & 701456 FOR ALL RAMP.
 (NOT ALL TRAFFIC CONTROL DEVICES & SIGNING SHOWN) ADJUST RAMP OPENINGS IF REQUIRED.



REV. 2/20/2024 JZ

MODEL Stage 4 Plan Sheets
 FILE NAME: P:\Projects\2024\66H62\DOT\Office\Bridges\CADD\Drawings\66H62_Plan_Sheet_4

USER NAME = Joseph.Zagar	DESIGNED -	REVISED -
	DRAWN -	REVISED -
PLOT SCALE = \$SCALE\$	CHECKED -	REVISED -
PLOT DATE = 2/20/2024	DATE -	REVISED -

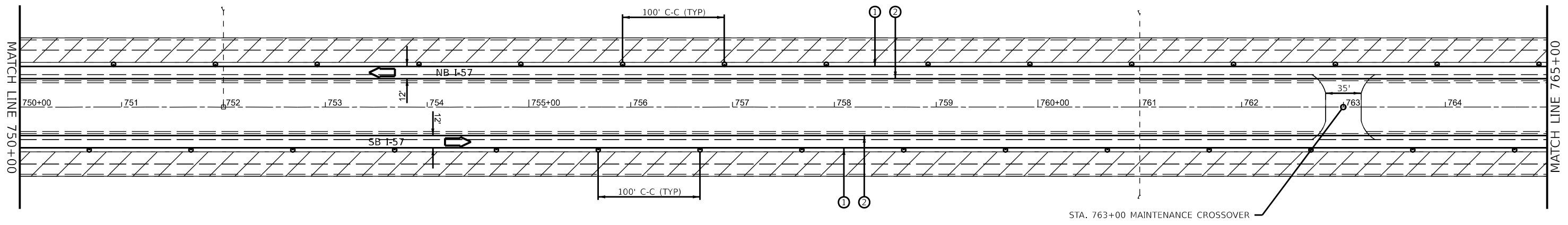
**STATE OF ILLINOIS
DEPARTMENT OF TRANSPORTATION**

STAGE 4 TRAFFIC CONTROL

SCALE: SHEET 10 OF 17 SHEETS STA. TO STA.

F.A.I. RTE.	SECTION	COUNTY	TOTAL SHEETS	SHEET NO.
57	(38-6,38-5)RS,BRR,CLV	IROQUOIS	213	182
CONTRACT NO. 66H62				
ILLINOIS FED. AID PROJECT				

Long Section Number



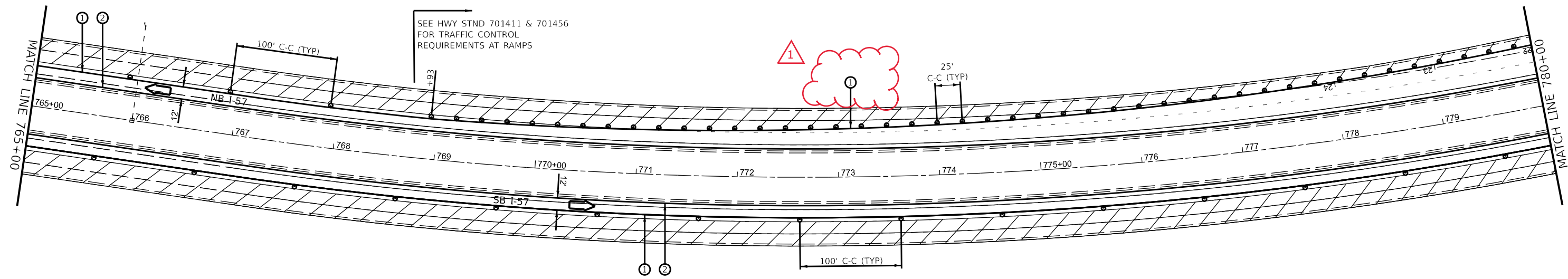
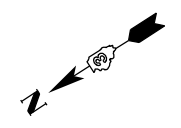
STA. 763+00 MAINTENANCE CROSSOVER



LEGEND

- DIRECTION INDICATOR BARRICADE WITH STEADY BURN MONODIRECTIONAL LIGHT
- DRUMS WITH MONO-DIRECTIONAL STEADY BURNING LIGHTS
- ARROW BOARD
- DIRECTION OF TRAFFIC
- IMPACT ATTENUATOR, TEMPORARY (NON-REDIRECTIVE TL 3)
- TEMPORARY CONCRETE BARRIER
- CLASS A PATCHING UNDER STRUCTURES
- WORK ZONE
- EXISTING PAVEMENT MARKING
- TEMPORARY PAVEMENT MARKING TYPE IV TAPE - WHITE
- TEMPORARY PAVEMENT MARKING TYPE IV TAPE - YELLOW
- SHORT TERM PAVEMENT MARKING

NOTES:
 ALTERATIONS TO THE TRAFFIC CONTROL PLAN SHALL BE APPROVED BY THE ENGINEER.
 USE TRAFFIC CONTROL STANDARD 701400 & 701406 FOR STAGE 4 WORKZONE. USE 701411 & 701456 FOR ALL RAMPS.
 (NOT ALL TRAFFIC CONTROL DEVICES & SIGNING SHOWN) ADJUST RAMP OPENINGS IF REQUIRED.



SEE HWY STND 701411 & 701456 FOR TRAFFIC CONTROL REQUIREMENTS AT RAMPS



REV. 2/20/2024 JZ

MODEL Stage 4 Plan Sheets
 FILE NAME: P:\Projects\2024\20240213\CRD\Project\0388462\CADD\Drawings\66H62_Plan_Sheet_4

USER NAME = Joseph.Zagar	DESIGNED -	REVISED -
PLOT SCALE = \$SCALE\$	DRAWN -	REVISED -
PLOT DATE = 2/20/2024	CHECKED -	REVISED -
	DATE -	REVISED -

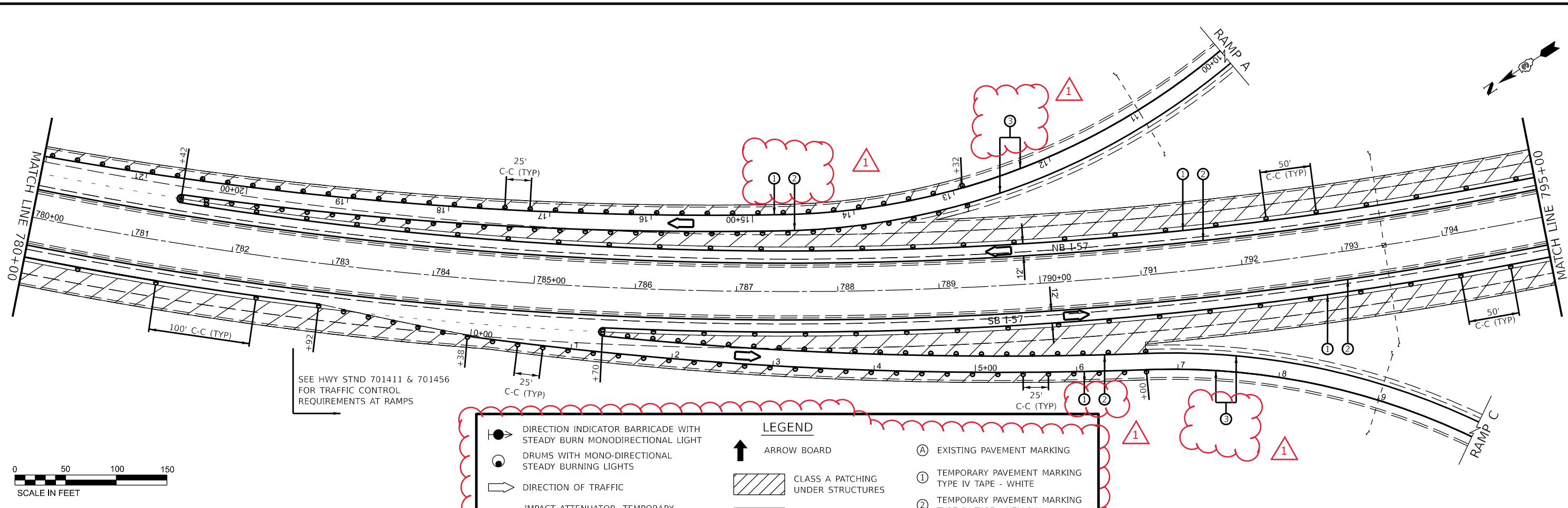
**STATE OF ILLINOIS
DEPARTMENT OF TRANSPORTATION**

STAGE 4 TRAFFIC CONTROL

SCALE: SHEET 11 OF 17 SHEETS STA. TO STA.

F.A.I. RTE.	SECTION	COUNTY	TOTAL SHEETS	SHEET NO.
57	(38-6,38-5)RS,BRR,CLV	IROQUOIS	213	183
CONTRACT NO. 66H62				
ILLINOIS FED. AID PROJECT				

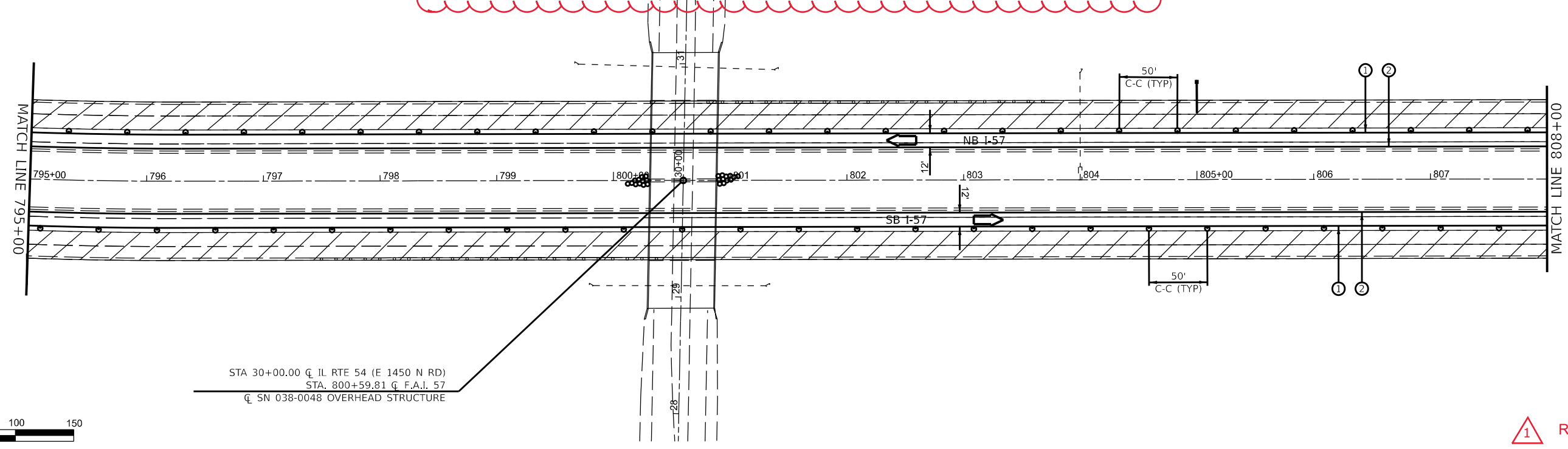
Long Section Number



LEGEND

- DIRECTION INDICATOR BARRICADE WITH STEADY BURN MONODIRECTIONAL LIGHT
- DRUMS WITH MONO-DIRECTIONAL STEADY BURNING LIGHTS
- ARROW BOARD
- DIRECTION OF TRAFFIC
- IMPACT ATTENUATOR, TEMPORARY (NON-REDIRECTIVE TL 3)
- TEMPORARY CONCRETE BARRIER
- CLASS A PATCHING UNDER STRUCTURES
- WORK ZONE
- (A) EXISTING PAVEMENT MARKING
- (1) TEMPORARY PAVEMENT MARKING TYPE IV TAPE - WHITE
- (2) TEMPORARY PAVEMENT MARKING TYPE IV TAPE - YELLOW
- (3) SHORT TERM PAVEMENT MARKING

NOTES:
 ALTERATIONS TO THE TRAFFIC CONTROL PLAN SHALL BE APPROVED BY THE ENGINEER.
 USE TRAFFIC CONTROL STANDARD 701400 & 701406 FOR STAGE 4 WORKZONE. USE 701411 & 701456 FOR ALL RAMPS.
 (NOT ALL TRAFFIC CONTROL DEVICES & SIGNING SHOWN) ADJUST RAMP OPENINGS IF REQUIRED.



MODEL Stage 4 Plan Sheets
 FILE NAME: P:\Projects\2024\66H62\DOT\Office\Drawings\DOT\Office\Drawings\66H62_Plan_Sheet_4

REV. 2/20/2024 JZ

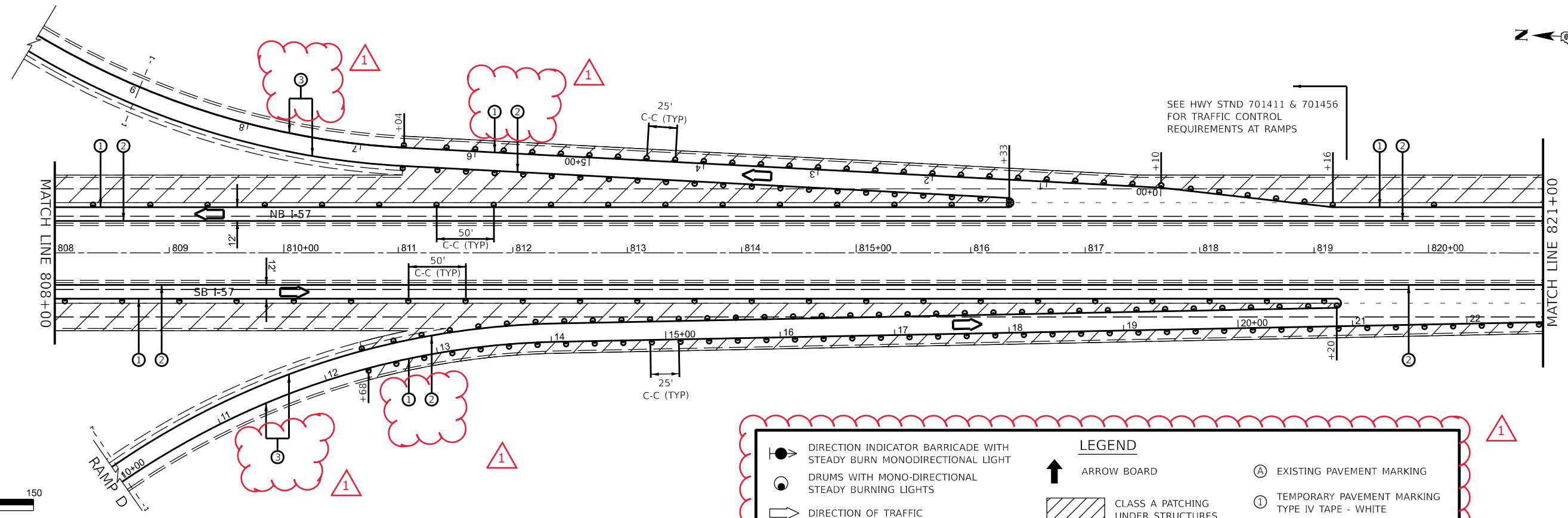
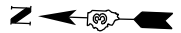
USER NAME = Joseph.Zagar	DESIGNED -	REVISED -
DRAWN -	REVISOR -	REVISION -
PLOT SCALE = \$SCALE\$	CHECKED -	REVISOR -
PLOT DATE = 2/20/2024	DATE -	REVISION -

STATE OF ILLINOIS
DEPARTMENT OF TRANSPORTATION

STAGE 4 TRAFFIC CONTROL
 SCALE: SHEET 12 OF 17 SHEETS STA. TO STA.

F.A.I. RTE.	SECTION	COUNTY	TOTAL SHEETS	SHEET NO.
57	(38-6,38-5)RS,BRR,CLV	IROQUOIS	213	184
CONTRACT NO. 66H62				
ILLINOIS FED. AID PROJECT				

Long Section Number

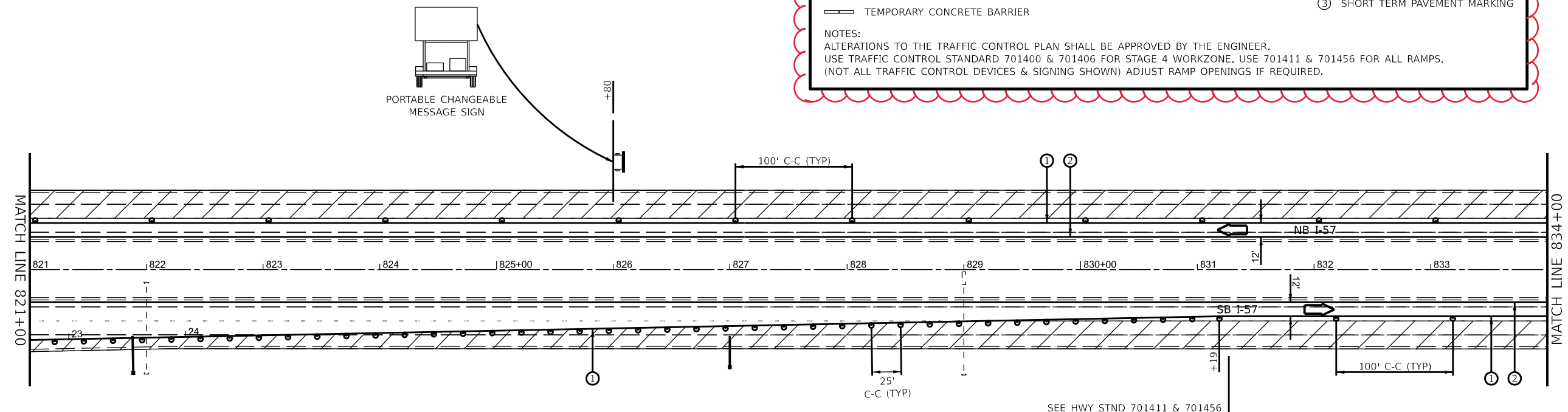
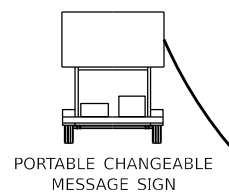


SEE HWY STND 701411 & 701456 FOR TRAFFIC CONTROL REQUIREMENTS AT RAMP

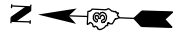
LEGEND

- DIRECTION INDICATOR BARRICADE WITH STEADY BURN MONODIRECTIONAL LIGHT
- DRUMS WITH MONO-DIRECTIONAL STEADY BURNING LIGHTS
- DIRECTION OF TRAFFIC
- IMPACT ATTENUATOR, TEMPORARY (NON-REDIRECTIVE TL 3)
- TEMPORARY CONCRETE BARRIER
- ARROW BOARD
- CLASS A PATCHING UNDER STRUCTURES
- WORK ZONE
- (A) EXISTING PAVEMENT MARKING
- (1) TEMPORARY PAVEMENT MARKING TYPE IV TAPE - WHITE
- (2) TEMPORARY PAVEMENT MARKING TYPE IV TAPE - YELLOW
- (3) SHORT TERM PAVEMENT MARKING

NOTES:
 ALTERATIONS TO THE TRAFFIC CONTROL PLAN SHALL BE APPROVED BY THE ENGINEER.
 USE TRAFFIC CONTROL STANDARD 701400 & 701406 FOR STAGE 4 WORKZONE. USE 701411 & 701456 FOR ALL RAMP.
 (NOT ALL TRAFFIC CONTROL DEVICES & SIGNING SHOWN) ADJUST RAMP OPENINGS IF REQUIRED.



SEE HWY STND 701411 & 701456 FOR TRAFFIC CONTROL REQUIREMENTS AT RAMP



REV. 2/20/2024 JZ

MODEL - Stage 4 Plan Sheets
 FILE NAME - P:\Projects\2024\66H62\CD\Drawings\66H62_Plan_Sheet_4

USER NAME = Joseph.Zagar	DESIGNED -	REVISED -
DRAWN -	REVISOR -	
PLOT SCALE = \$SCALE\$	CHECKED -	REVISOR -
PLOT DATE = 2/20/2024	DATE -	REVISOR -

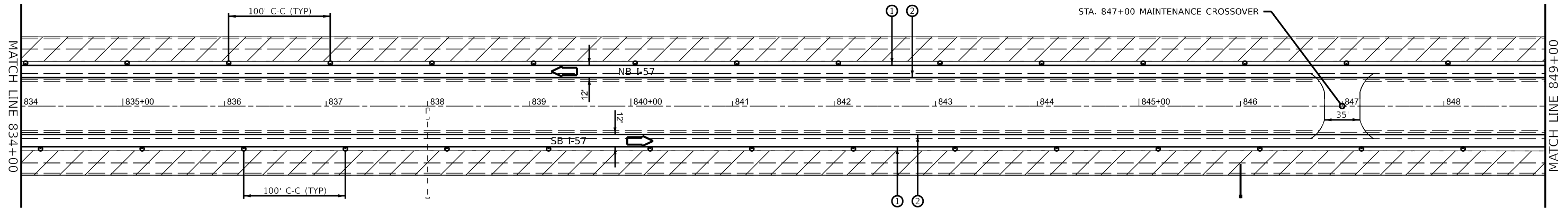
**STATE OF ILLINOIS
 DEPARTMENT OF TRANSPORTATION**

STAGE 4 TRAFFIC CONTROL

SCALE: SHEET 13 OF 17 SHEETS STA. TO STA.

F.A.I. RTE.	SECTION	COUNTY	TOTAL SHEETS	SHEET NO.
57	(38-6,38-5)RS,BRR,CLV	IROQUOIS	213	185
CONTRACT NO. 66H62				
ILLINOIS FED. AID PROJECT				

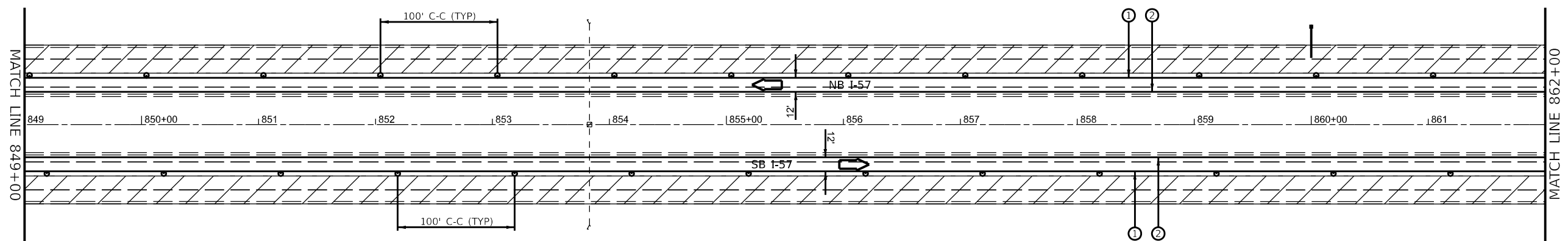
Long Section Number



LEGEND

	DIRECTION INDICATOR BARRICADE WITH STEADY BURN MONODIRECTIONAL LIGHT		ARROW BOARD		EXISTING PAVEMENT MARKING
	DRUMS WITH MONO-DIRECTIONAL STEADY BURNING LIGHTS		CLASS A PATCHING UNDER STRUCTURES		TEMPORARY PAVEMENT MARKING TYPE IV TAPE - WHITE
	DIRECTION OF TRAFFIC		WORK ZONE		TEMPORARY PAVEMENT MARKING TYPE IV TAPE - YELLOW
	IMPACT ATTENUATOR, TEMPORARY (NON-REDIRECTIVE TL 3)				SHORT TERM PAVEMENT MARKING
	TEMPORARY CONCRETE BARRIER				

NOTES:
 ALTERATIONS TO THE TRAFFIC CONTROL PLAN SHALL BE APPROVED BY THE ENGINEER.
 USE TRAFFIC CONTROL STANDARD 701400 & 701406 FOR STAGE 4 WORKZONE. USE 701411 & 701456 FOR ALL RAMP.
 (NOT ALL TRAFFIC CONTROL DEVICES & SIGNING SHOWN) ADJUST RAMP OPENINGS IF REQUIRED.



REV. 2/20/2024 JZ

MODEL Stage 4 Plan Sheets
 FILE NAME: P:\Projects\66H62\CADD\Drawings\CD\Drawings\66H62_Plan_Sheet_4

USER NAME = Joseph.Zagar	DESIGNED -	REVISED -
	DRAWN -	REVISED -
PLOT SCALE = \$SCALE\$	CHECKED -	REVISED -
PLOT DATE = 2/20/2024	DATE -	REVISED -

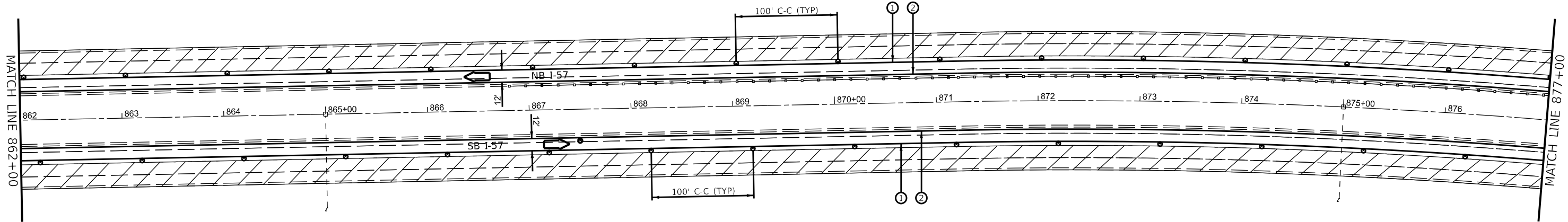
**STATE OF ILLINOIS
DEPARTMENT OF TRANSPORTATION**

STAGE 4 TRAFFIC CONTROL

SCALE: SHEET 14 OF 17 SHEETS STA. TO STA.

F.A.I. RTE.	SECTION	COUNTY	TOTAL SHEETS	SHEET NO.
57	(38-6,38-5)RS,BRR,CLV	IROQUOIS	213	186
CONTRACT NO. 66H62				
ILLINOIS FED. AID PROJECT				

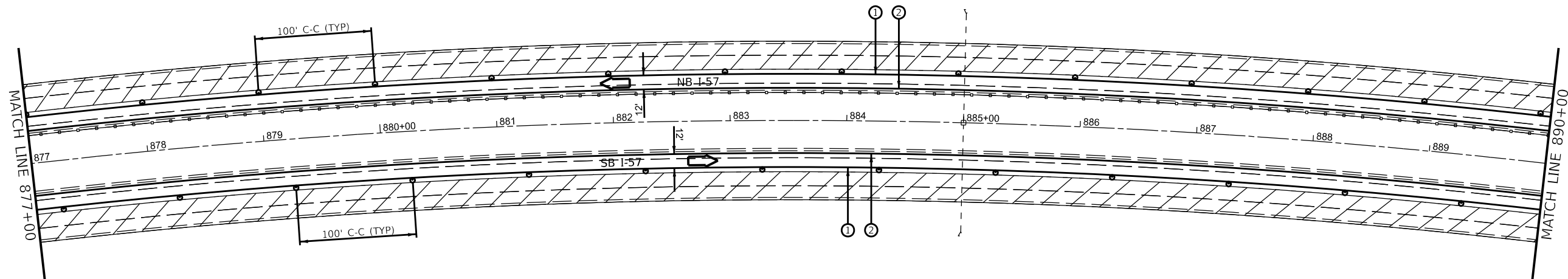
Long Section Number



LEGEND

<ul style="list-style-type: none"> DIRECTION INDICATOR BARRICADE WITH STEADY BURN MONODIRECTIONAL LIGHT DRUMS WITH MONO-DIRECTIONAL STEADY BURNING LIGHTS DIRECTION OF TRAFFIC IMPACT ATTENUATOR, TEMPORARY (NON-REDIRECTIVE TL 3) TEMPORARY CONCRETE BARRIER 	<ul style="list-style-type: none"> ARROW BOARD CLASS A PATCHING UNDER STRUCTURES WORK ZONE 	<ul style="list-style-type: none"> EXISTING PAVEMENT MARKING TEMPORARY PAVEMENT MARKING TYPE IV TAPE - WHITE TEMPORARY PAVEMENT MARKING TYPE IV TAPE - YELLOW SHORT TERM PAVEMENT MARKING
---	--	---

NOTES:
 ALTERATIONS TO THE TRAFFIC CONTROL PLAN SHALL BE APPROVED BY THE ENGINEER.
 USE TRAFFIC CONTROL STANDARD 701400 & 701406 FOR STAGE 4 WORKZONE. USE 701411 & 701456 FOR ALL RAMP.
 (NOT ALL TRAFFIC CONTROL DEVICES & SIGNING SHOWN) ADJUST RAMP OPENINGS IF REQUIRED.



REV. 2/20/2024 JZ

MODEL Stage 4 Plan Sheets
 FILE NAME: P:\Projects\2024\66H62\66H62-Plan-Stage 4

USER NAME = Joseph.Zagar	DESIGNED -	REVISED -	
	DRAWN -	REVISED -	
PLOT SCALE = \$SCALE\$	CHECKED -	REVISED -	
PLOT DATE = 2/20/2024	DATE -	REVISED -	

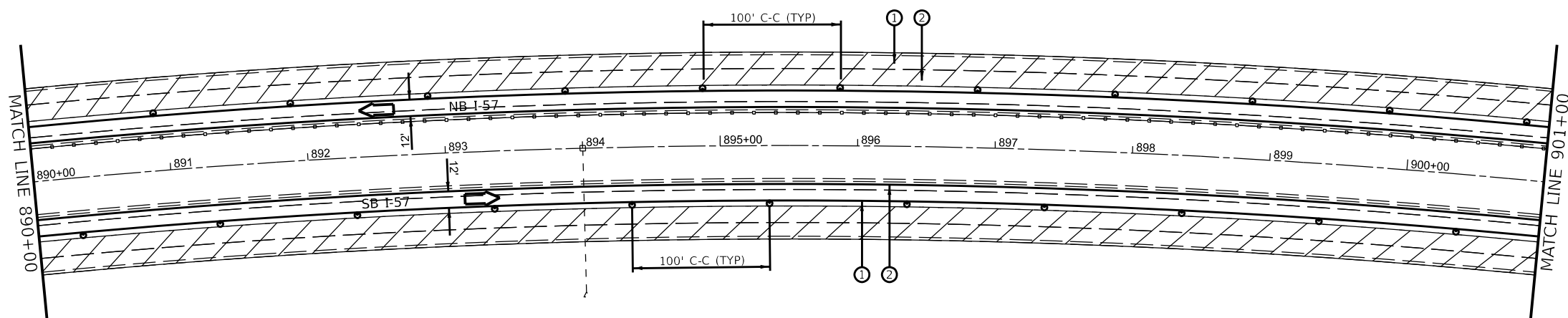
**STATE OF ILLINOIS
DEPARTMENT OF TRANSPORTATION**

STAGE 4 TRAFFIC CONTROL

SCALE: SHEET 15 OF 17 SHEETS STA. TO STA.

F.A.I. RTE.	SECTION	COUNTY	TOTAL SHEETS	SHEET NO.
57	(38-6,38-5)RS,BRR,CLV	IROQUOIS	213	187
CONTRACT NO. 66H62				
ILLINOIS FED. AID PROJECT				

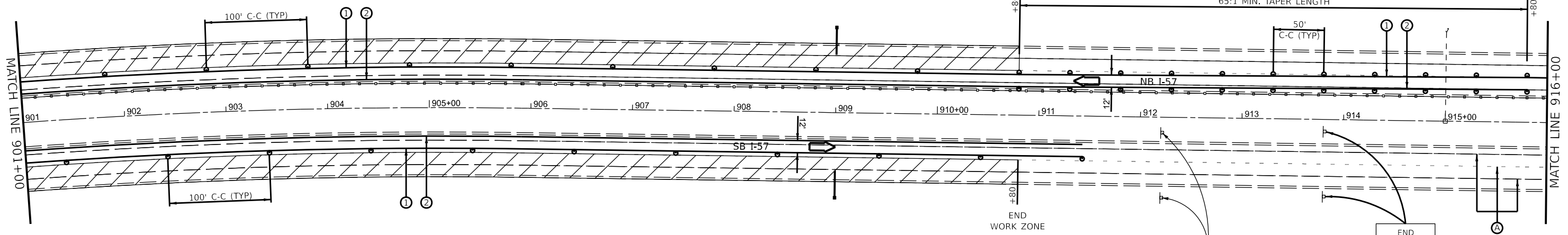
Long Section Number



LEGEND

<ul style="list-style-type: none"> DIRECTION INDICATOR BARRICADE WITH STEADY BURN MONODIRECTIONAL LIGHT DRUMS WITH MONO-DIRECTIONAL STEADY BURNING LIGHTS DIRECTION OF TRAFFIC IMPACT ATTENUATOR, TEMPORARY (NON-REDIRECTIVE TL 3) TEMPORARY CONCRETE BARRIER 	<ul style="list-style-type: none"> ARROW BOARD CLASS A PATCHING UNDER STRUCTURES WORK ZONE 	<ul style="list-style-type: none"> (A) EXISTING PAVEMENT MARKING (1) TEMPORARY PAVEMENT MARKING TYPE IV TAPE - WHITE (2) TEMPORARY PAVEMENT MARKING TYPE IV TAPE - YELLOW (3) SHORT TERM PAVEMENT MARKING
---	--	---

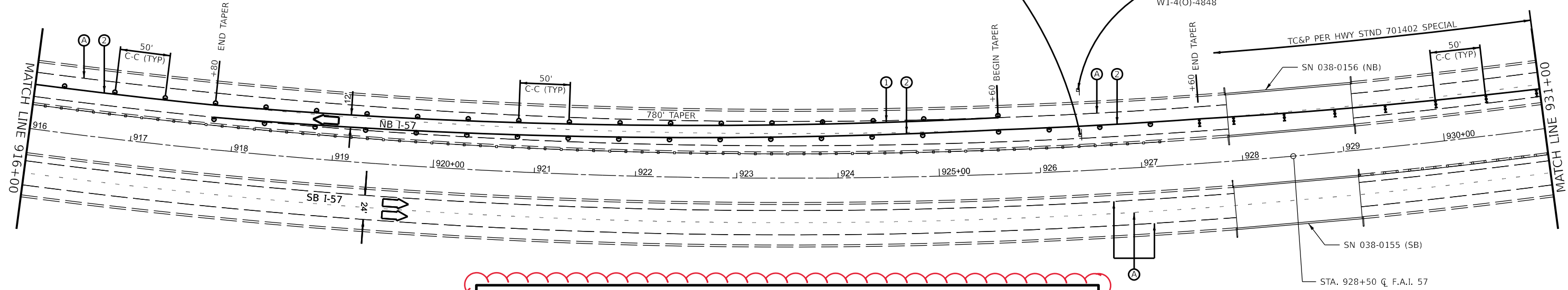
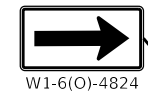
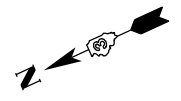
NOTES:
 ALTERATIONS TO THE TRAFFIC CONTROL PLAN SHALL BE APPROVED BY THE ENGINEER.
 USE TRAFFIC CONTROL STANDARD 701400 & 701406 FOR STAGE 4 WORKZONE. USE 701411 & 701456 FOR ALL RAMPS.
 (NOT ALL TRAFFIC CONTROL DEVICES & SIGNING SHOWN) ADJUST RAMP OPENINGS IF REQUIRED.



MODEL - Stage 4 Plan Sheets
 FILE NAME - I:\Projects\2024\66H62\66H62_Stage4\Drawings\66H62_Stage4.dwg

REV. 2/20/2024 JZ

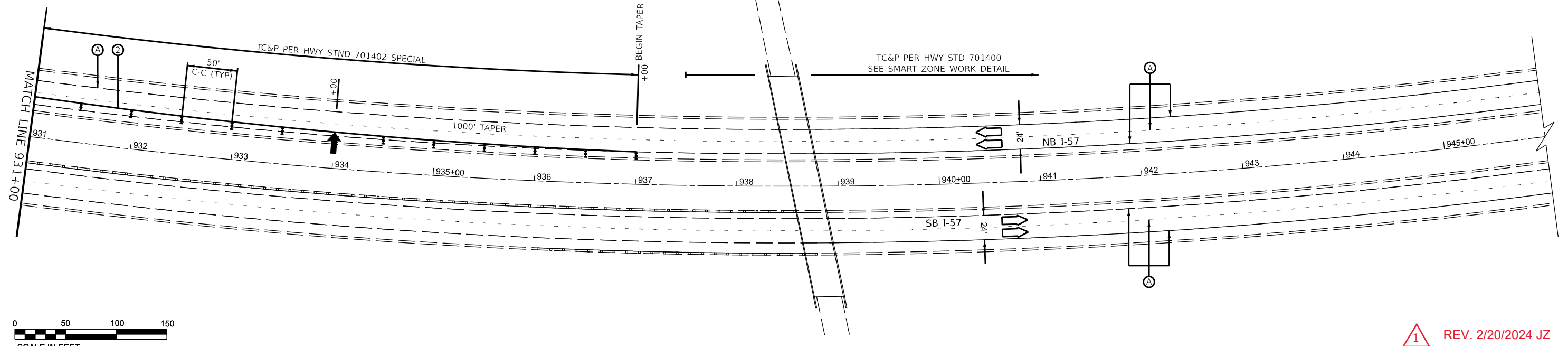
	USER NAME = Joseph.Zagar	DESIGNED -	REVISED -	STATE OF ILLINOIS DEPARTMENT OF TRANSPORTATION	STAGE 4 TRAFFIC CONTROL				F.A.I RTE.	SECTION	COUNTY	TOTAL SHEETS	SHEET NO.	
	PLOT SCALE = \$SCALE\$	DRAWN -	REVISED -		SCALE:	SHEET 16	OF 17	SHEETS	STA.	TO STA.	38-6,38-5)RS,BRR,CLV	IROQUOIS	213	188
	PLOT DATE = 2/20/2024	CHECKED -	REVISED -		ILLINOIS FED. AID PROJECT				CONTRACT NO. 66H62					
		DATE -	REVISED -		Long Section Number									



LEGEND

DIRECTION INDICATOR BARRICADE WITH STEADY BURN MONODIRECTIONAL LIGHT	ARROW BOARD	EXISTING PAVEMENT MARKING
DRUMS WITH MONO-DIRECTIONAL STEADY BURNING LIGHTS	CLASS A PATCHING UNDER STRUCTURES	TEMPORARY PAVEMENT MARKING TYPE IV TAPE - WHITE
DIRECTION OF TRAFFIC	WORK ZONE	TEMPORARY PAVEMENT MARKING TYPE IV TAPE - YELLOW
IMPACT ATTENUATOR, TEMPORARY (NON-REDIRECTIVE TL 3)		SHORT TERM PAVEMENT MARKING
TEMPORARY CONCRETE BARRIER		

NOTES:
 ALTERATIONS TO THE TRAFFIC CONTROL PLAN SHALL BE APPROVED BY THE ENGINEER.
 USE TRAFFIC CONTROL STANDARD 701400 & 701406 FOR STAGE 4 WORKZONE. USE 701411 & 701456 FOR ALL RAMP.
 (NOT ALL TRAFFIC CONTROL DEVICES & SIGNING SHOWN) ADJUST RAMP OPENINGS IF REQUIRED.



REV. 2/20/2024 JZ

MODEL - Stage 4 Plan Sheets
 FILE NAME - I:\Projects\2024\66H62\66H62-CAD\Drawings\66H62-Plan-Stage 4

USER NAME = Joseph.Zagar	DESIGNED -	REVISED -
DRAWN -	REVISOR -	
PLOT SCALE = \$SCALE\$	CHECKED -	REVISOR -
PLOT DATE = 2/20/2024	DATE -	REVISOR -

**STATE OF ILLINOIS
DEPARTMENT OF TRANSPORTATION**

STAGE 4 TRAFFIC CONTROL

SCALE: SHEET 17 OF 17 SHEETS STA. TO STA.

F.A.I. RTE.	SECTION	COUNTY	TOTAL SHEETS	SHEET NO.
57	(38-6,38-5)RS,BRR,CLV	IROQUOIS	213	189
CONTRACT NO. 66H62				
ILLINOIS FED. AID PROJECT				

Long Section Number