

STATE OF ILLINOIS
DEPARTMENT OF TRANSPORTATION

F.A.P. RTE.	SECTION	COUNTY	TOTAL SHEETS	SHEET NO.
66	FAP 0066 22 RS	MCHENRY	33	1
		ILLINOIS	CONTRACT NO. 62T62	

* 33 + 1 = 34 TOTAL SHEETS

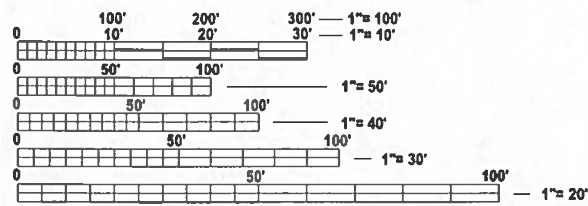
FOR INDEX OF SHEETS, SEE SHEET NO. 2

PROJECT LOCATED IN CITY OF HARVARD

TRAFFIC DATA:
US 14
2021 ADT = 10,300
POSTED AND DESIGN SPEED LIMIT = 30-55 MPH

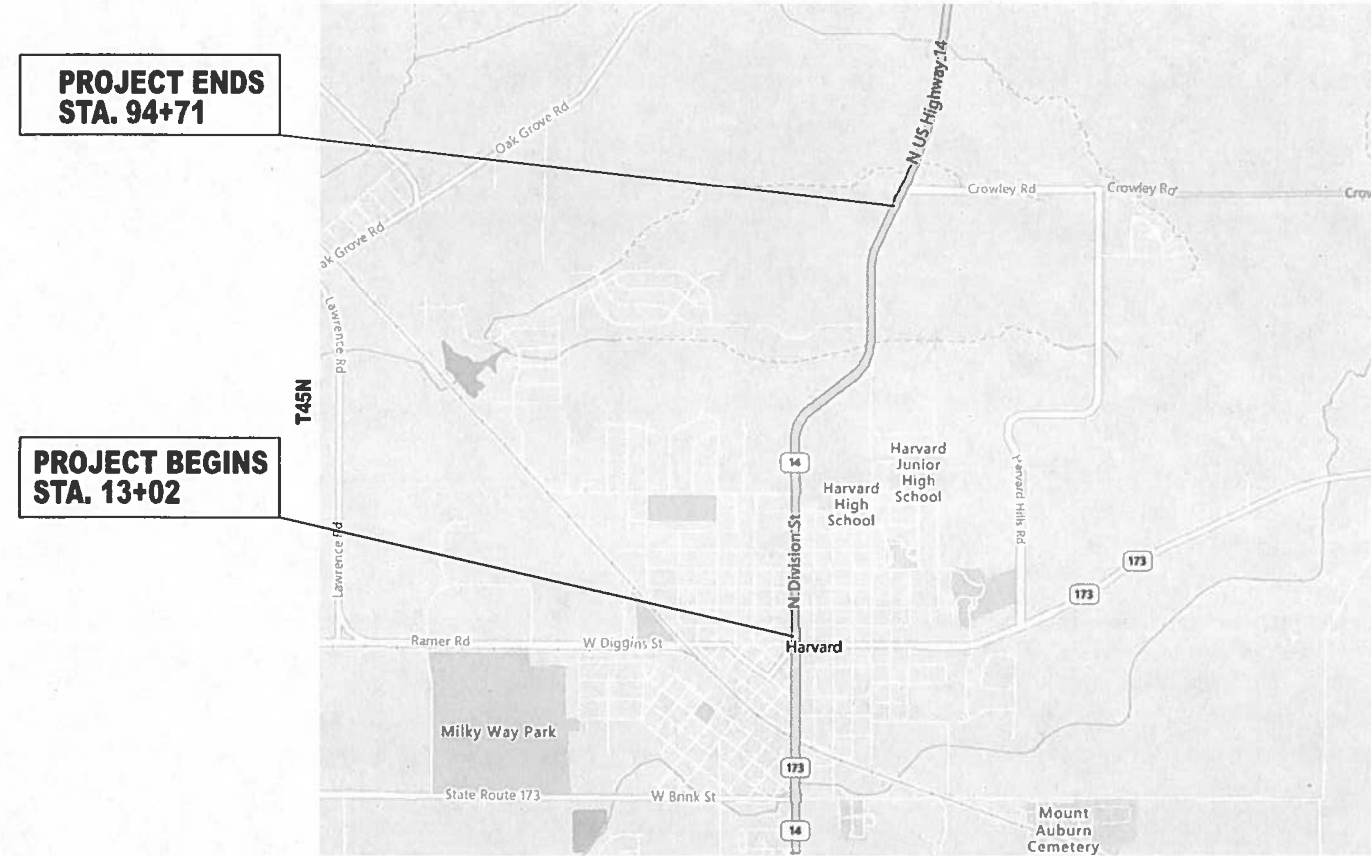
**PROPOSED
HIGHWAY PLANS**
F.A.P. ROUTE 66 (US 14 / DIVISION ST.)
CROWLEY RD TO IL 173/DIGGINS RD
SECTION FAP 0066 22 RS
PROJECT NHPP- 4UEA(806)
SMART OVERLAY AND ADA IMPROVMENTS
MCHENRY COUNTY

C-91-261-22
R5E



FULL SIZE PLANS HAVE BEEN PREPARED USING STANDARD ENGINEERING SCALES. REDUCED SIZED PLANS WILL NOT CONFORM TO STANDARD SCALES. IN MAKING MEASUREMENTS ON REDUCED PLANS, THE ABOVE SCALES MAY BE USED.

J.U.L.I.E.
JOINT UTILITY LOCATION INFORMATION FOR EXCAVATION
1-800-892-0123
OR 811



PROJECT ENDS
STA. 94+71

PROJECT BEGINS
STA. 13+02

PROJECT ENGINEER: DAN WILGREEN (847) 705-4240
PROJECT MANAGER: FAWAD AQUEEL

CHEMUNG TOWNSHIP
GROSS AND NET LENGTH = 8169 FT. = 1.55 MILE

CONTRACT NO. 62T62

STATE OF ILLINOIS
DEPARTMENT OF TRANSPORTATION

SUBMITTED ~~DECEMBER 7~~ 20 ~~23~~
Jose Rios REGIONAL ENGINEER
February 2, 2024
Steph M. Smith ENGINEER OF DESIGN AND ENVIRONMENT
February 2, 2024
DIRECTOR OF HIGHWAYS PROJECT IMPLEMENTATION

PRINTED BY THE AUTHORITY
OF THE STATE OF ILLINOIS

SUMMARY OF QUANTITIES

CONSTRUCTION TYPE CODE

CODE NO.	ITEM	Unit	Total Quantity	80% FED 20% STATE 0005	100% STATE 0005
70102635	TRAFFIC CONTROL AND PROTECTION, STANDARD 701701	L SUM	1	1	
70102640	TRAFFIC CONTROL AND PROTECTION, STANDARD 701801	L SUM	1	1	
70300100	SHORT TERM PAVEMENT MARKING	FOOT	15172	15172	
70300150	SHORT TERM PAVEMENT MARKING REMOVAL	SQ FT	7586	7586	
70300211	TEMPORARY PAVEMENT MARKING LETTERS AND SYMBOLS - PAINT	SQ FT	713	713	
70300221	TEMPORARY PAVEMENT MARKING - LINE 4"- PAINT	FOOT	37837	37837	
70300241	TEMPORARY PAVEMENT MARKING - LINE 6"- PAINT	FOOT	1379	1379	
70300251	TEMPORARY PAVEMENT MARKING - LINE 8"- PAINT	FOOT	221	221	
70300261	TEMPORARY PAVEMENT MARKING - LINE 12"- PAINT	FOOT	1329	1329	
70300281	TEMPORARY PAVEMENT MARKING - LINE 24"- PAINT	FOOT	287	287	
70307120	TEMPORARY PAVEMENT MARKING - LINE 4" - TYPE I V TAPE	FOOT	7586	7586	
72400735	REMOVE AND RELOCATED SIGN PANEL - TYPE I	SQ FT	10	10	
* 78000100	THERMOPLASTIC PAVEMENT MARKING - LETTERS AND SYMBOLS	SQ FT	713	713	
* 78000200	THERMOPLASTIC PAVEMENT MARKING - LINE 4"	FOOT	37837	37837	
* 78000400	THERMOPLASTIC PAVEMENT MARKING - LINE 6"	FOOT	1379	1379	
* 78000500	THERMOPLASTIC PAVEMENT MARKING - LINE 8"	FOOT	221	221	
* 78000600	THERMOPLASTIC PAVEMENT MARKING - LINE 12"	FOOT	1329	1329	
* 78000650	THERMOPLASTIC PAVEMENT MARKING - LINE 24"	FOOT	287	287	
* 78100100	RAISED REFLECTIVE PAVEMENT MARKER	EACH	366	366	
78300200	RAISED REFLECTIVE PAVEMENT MARKER REMOVAL	EACH	366	366	
X0320050	CONSTRUCTION LAYOUT (SPECIAL)	L SUM	1	1	

* SPECIALTY ITEMS

SUMMARY OF QUANTITIES

CONSTRUCTION TYPE CODE

CODE NO.	ITEM	Unit	Total Quantity	80% FED 20% STATE 0005	100% STATE 0005
X2020110	GRADING AND SHAPING SHOULDERS	UNIT	87	87	
X4400501	COMBINATION CURB AND GUTTER REMOVAL AND REPLACEMENT LESS THAN OR EQUAL TO 10 FEET	FOOT	250	250	
X4400503	COMBINATION CURB AND GUTTER REMOVAL AND REPLACEMENT GREATER THAN 10 FEET	FOOT	1080	1080	
X5537800	STORM SEWERS TO BE CLEANED 12"	FOOT	600	0	600
X6030310	FRAMES AND LIDS TO BE ADJUSTED (SPECIAL)	EACH	25	25	
X6700407	ENGINEER'S FIELD OFFICE, TYPE A (D1)	CAL MO	12	12	
X8860105	DETECTOR LOOP REPLACEMENT	FOOT	33	33	
Z0018500	DRAINAGE STRUCTURES TO BE CLEANED	EACH	40		40
Z0030850	TEMPORARY INFORMATION SIGNING	SQ FT	51.4	51.4	



MODEL: S002 (Sheet)
I:\abidrabu@illinois.gov\0661380\0120822-ehh-S002.dgn

USER NAME: abidrabu	DESIGNED -	REVISED -
PLOT SCALE = 0.16666633' / in.	DRAWN -	REVISED -
PLOT DATE 12/13/2023	CHECKED -	REVISED -
	DATE -	REVISED -

**STATE OF ILLINOIS
DEPARTMENT OF TRANSPORTATION**

**US 14 (CROWLEY RD TO IL 173/DIGGINS ST)
SUMMARY OF QUANTITIES**

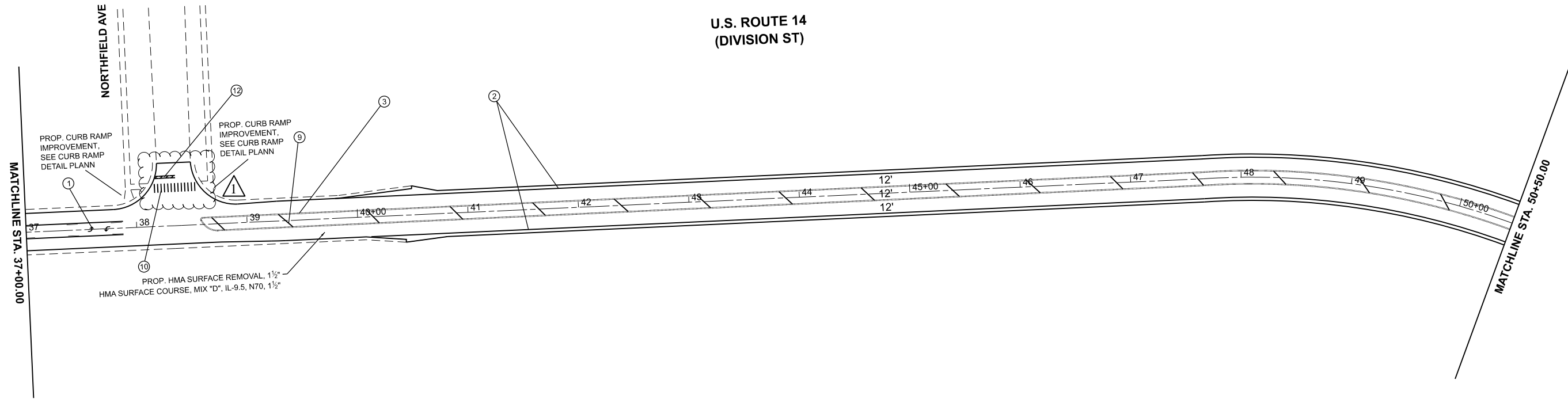
SCALE=50' SHEET OF 2 SHEETS STA. TO STA.

F.A.P. RTE.	SECTION	COUNTY	TOTAL SHEETS	SHEET NO.
66	FAP 0066 22 RS	MCHENRY	33	4
ILLINOIS FED. AID PROJECT			CONTRACT NO. 62T62	

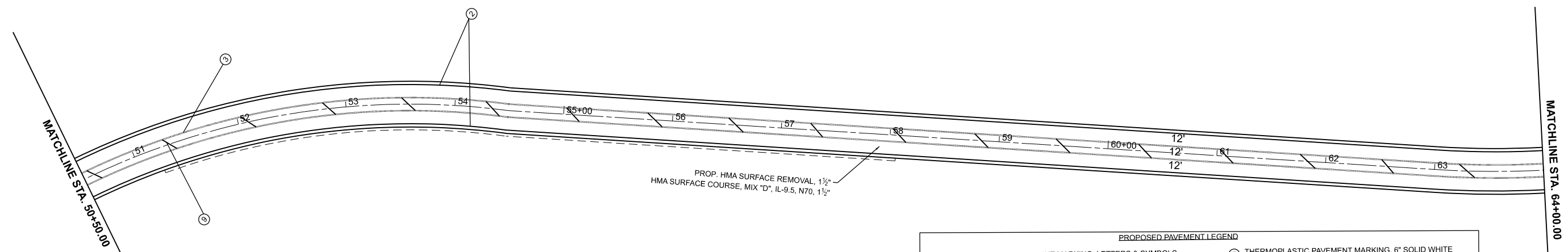
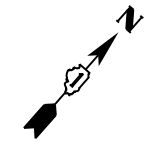
REVISOR: [Symbol] REVISED SHEET 2/22/2024



U.S. ROUTE 14
(DIVISION ST)



U.S. ROUTE 14
(DIVISION ST)



PROPOSED PAVEMENT LEGEND

① THERMOPLASTIC PAVEMENT MARKING, LETTERS & SYMBOLS, SOLID WHITE (TYP.)	⑦ THERMOPLASTIC PAVEMENT MARKING, 6" SOLID WHITE CROSSWALK LINE, 2 @ NOT LESS THAN 6' C-C (TYP.)
② THERMOPLASTIC PAVEMENT MARKING, 4" SOLID WHITE EDGE LINE (TYP.)	⑧ THERMOPLASTIC PAVEMENT MARKING, 8" SOLID WHITE WITH 12" CHEVRON 10' C-C (TYP.)
③ THERMOPLASTIC PAVEMENT MARKING, 4" DOUBLE SOLID YELLOW CENTERLINE, 2 @ 11" C-C (TYP.)	⑨ THERMOPLASTIC PAVEMENT MARKING, 12" SOLID YELLOW DIAGONAL LINE (TYP.)
④ THERMOPLASTIC PAVEMENT MARKING, 4" SOLID YELLOW CENTERLINE, 4" YELLOW SKIP-DASH 5 1/2" C-C (TYP.)	⑩ THERMOPLASTIC PAVEMENT MARKING, 12" SOLID WHITE CROSSWALK, @ 6' LONG, 3' C-C (TYP.)
⑤ THERMOPLASTIC PAVEMENT MARKING, 6" SOLID WHITE TURN LANE LINE (TYP.)	⑪ THERMOPLASTIC PAVEMENT MARKING, 12" SOLID WHITE DIAGONAL LINE, @ 75' C-C (MIN, 5 EQUALLY SPACED) (TYP.)
⑥ THERMOPLASTIC PAVEMENT MARKING, 6" DOTTED WHITE LINE, 2' DASH - 6' SKIP (TYP.)	⑫ THERMOPLASTIC PAVEMENT MARKING, 24" SOLID WHITE STOP BAR (TYP.)

1 REVISED SHEET 2/22/2024

STATE OF ILLINOIS
DEPARTMENT OF TRANSPORTATION

ROADWAY AND PAVEMENT MARKING PLAN
US 14 - CROWLEY ROAD TO IL 173 (DIGGINS STREET)

SCALE: 1"=50' SHEET 2 OF 4 SHEETS STA. TO STA.

USER NAME = mohammad.hamwi	DESIGNED -	REVISED - 2/17/2024 MH
PLOT SCALE = 0.16666633' / in.	DRAWN -	REVISED -
PLOT DATE = 2/17/2024	CHECKED -	REVISED -
	DATE -	REVISED -

F.A.P. RTE. 66	SECTION FAP 0066 22 RS	COUNTY McHENRY	TOTAL SHEETS 33	SHEET NO. 8
		CONTRACT NO. 62T62		
		ILLINOIS FED. AID PROJECT		

MODEL: US14_E - RdwyPlan03
FILE NAME: p:\1805\paw_bentley.com\PIWDOT\Documents\DOT Office\District 1\ORSD Projects\120622\CADD\11\CA\Drawings\120622-akt-plm.dgn

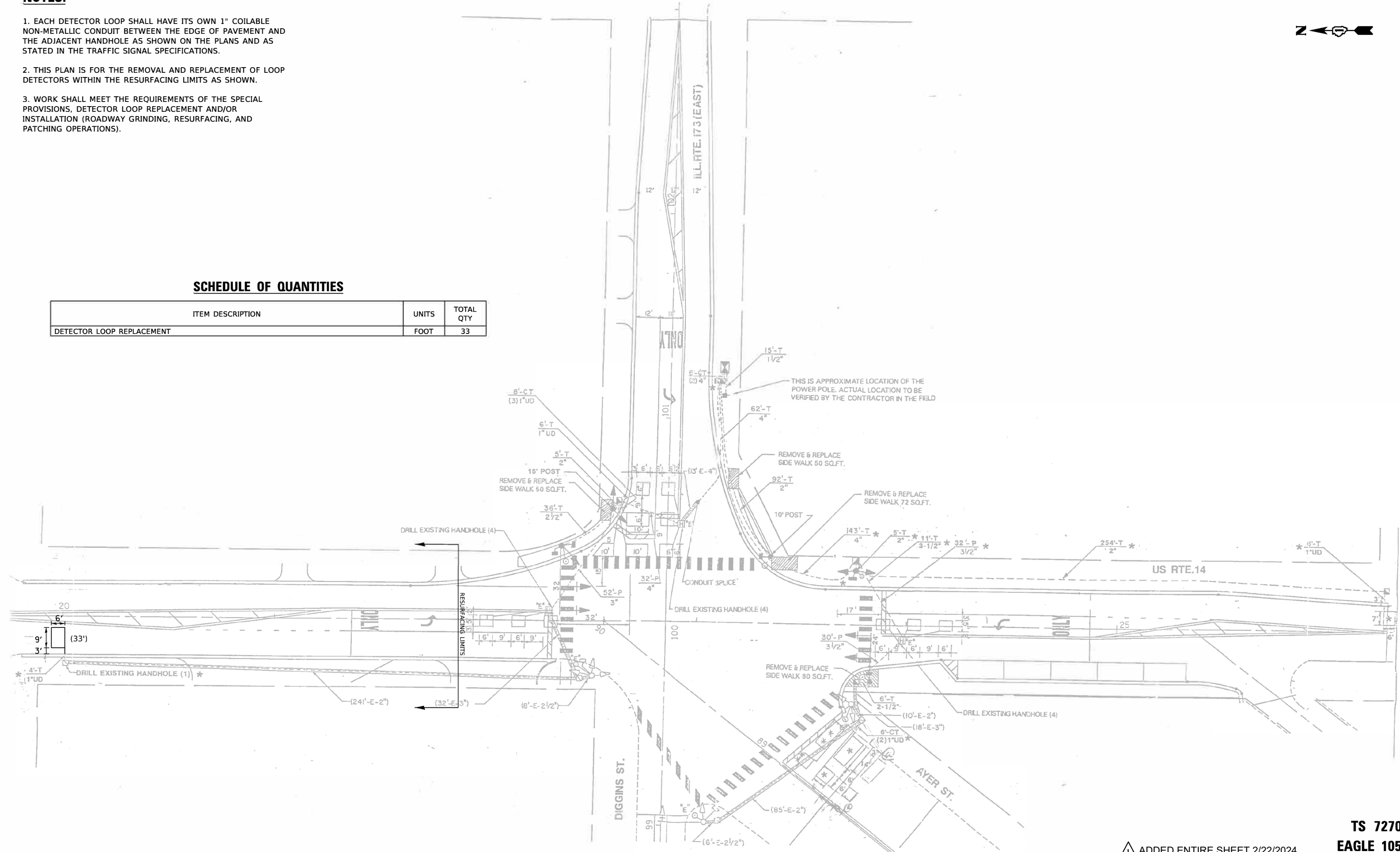
NOTES:

1. EACH DETECTOR LOOP SHALL HAVE ITS OWN 1" COILABLE NON-METALLIC CONDUIT BETWEEN THE EDGE OF PAVEMENT AND THE ADJACENT HANDHOLE AS SHOWN ON THE PLANS AND AS STATED IN THE TRAFFIC SIGNAL SPECIFICATIONS.
2. THIS PLAN IS FOR THE REMOVAL AND REPLACEMENT OF LOOP DETECTORS WITHIN THE RESURFACING LIMITS AS SHOWN.
3. WORK SHALL MEET THE REQUIREMENTS OF THE SPECIAL PROVISIONS, DETECTOR LOOP REPLACEMENT AND/OR INSTALLATION (ROADWAY GRINDING, RESURFACING, AND PATCHING OPERATIONS).



SCHEDULE OF QUANTITIES

ITEM DESCRIPTION	UNITS	TOTAL QTY
DETECTOR LOOP REPLACEMENT	FOOT	33



**TS 7270
EAGLE 105**

ADDED ENTIRE SHEET 2/22/2024

USER NAME = Jason.Rodriguez	DESIGNED - JR	REVISED - ▲ 2/21/2024 MH
PLOT SCALE = 40.0000' / in.	DRAWN - JR	REVISED -
PLOT DATE = 2/14/2024	CHECKED -	REVISED -
	DATE - 2/14/2024	REVISED -

**STATE OF ILLINOIS
DEPARTMENT OF TRANSPORTATION**

**DETECTOR LOOP REPLACEMENT
AND SCHEDULE OF QUANTITIES**
US 14 (DIVISION ST) AT AYER ST AND IL RTE 173 (DIGGINS ST)

SCALE: SHEET OF SHEETS STA. TO STA.

F.A.P. RTE.	SECTION	COUNTY	TOTAL SHEETS	SHEET NO.
66	FAP 0066 22 RS	MCHENRY	33	16A
			CONTRACT NO. 62T62	
ILLINOIS FED. AID PROJECT				

MODEL NUMBER: 31107 Design/Review/Revise/1P - 62T62/DIGGINS ST - DETECTOR LOOP REPLACEMENT