

03-08-2024 LETTING ITEM 173

STATE OF ILLINOIS  
DEPARTMENT OF TRANSPORTATION

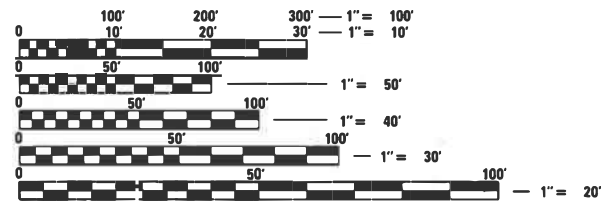
F.A. RTE.	SECTION	COUNTY	TOTAL SHEETS	SHEET NO.
VAR. '22 VAR SWEEP. NIGHT	*	ILLINOIS	10	1
ILLINOIS CONTRACT NO. 62U70				

\*COOK, DU PAGE AND WILL

FOR INDEX OF SHEETS, SEE SHEET NO. 2

# PROPOSED HIGHWAY PLANS

ROUTE: VARIOUS DISTRICT ONE  
SECTION: 2022 VAR SWEEPING NIGHT  
EXPRESSWAY CLEANING (NIGHTTIME SWEEPING)  
COUNTY: VARIOUS (COOK, DUPAGE AND WILL)  
C-91-107-23



FULL SIZE PLANS HAVE BEEN PREPARED USING STANDARD ENGINEERING SCALES. REDUCED SIZED PLANS WILL NOT CONFORM TO STANDARD SCALES. IN MAKING MEASUREMENTS ON REDUCED PLANS, THE ABOVE SCALES MAY BE USED.

J.U.L.I.E.  
JOINT UTILITY LOCATION INFORMATION FOR EXCAVATION  
1-800-892-0123  
OR 811

LOCATION MAPS - SEE INDEX OF SHEETS

PROJECT ENGINEER: RODRIGO LEDEZMA (847) 705-4580  
PROJECT MANAGER: J. ALAIN MIDY (847) 221-3056

CONTRACT NO. 62U70

STATE OF ILLINOIS  
DEPARTMENT OF TRANSPORTATION

SUBMITTED June 7 2023  
*[Signature]*  
REGIONAL ENGINEER

June 30, 2023 *[Signature]*  
ENGINEER OF DESIGN AND ENVIRONMENT

June 30, 2023 *[Signature]*  
DIRECTOR OF HIGHWAYS PROJECT IMPLEMENTATION

PRINTED BY THE AUTHORITY  
OF THE STATE OF ILLINOIS

## INDEX OF SHEETS

1. TITLE SHEET
2. INDEX OF SHEETS  
APPLICABLE STATE STANDARDS
3. SUMMARY OF QUANTITIES  
SCHEDULE OF CLEANING STARTING DATES
4. EXPRESSWAY TYPICAL SECTIONS
5. TYPICAL ROADWAY CLEANING DETAILS
6. EXPRESSWAY CLEANING: I-290 EXTENSION/ ILL 53, EDENS,  
KENNEDY & ELGIN-O'HARE
7. EXPRESSWAY CLEANING: EISENHOWER, STEVENSON, I-55 & DAN RYAN
8. EXPRESSWAY CLEANING: BISHOP FORD, KINGERY, I-55, I-57 & I-80
9. SINGLE LANE WEAVE AND MULTI LANE WEAVE (TC-09)
10. TRAFFIC CONTROL DETAILS FOR FREEWAY SHOULDER CLOSURES  
AND PARTIAL RAMP CLOSURES (TC-17)

## STATE STANDARDS

701400-12	APPROACH TO LANE CLOSURE, FREEWAY/EXPRESSWAY
701401-13	LANE CLOSURE, FREEWAY/EXPRESSWAY
701411-09	LANE CLOSURE, MULTILANE AT ENTERANCE/EXIT RAMP FOR SPEEDS > 45 MPH
701426-09	LANE CLOSURE, MULTILANE INTERMITTENT OR MOVING OPERATION FOR SPEEDS > 45 MPH
701428-01	TRAFFIC CONTROL SETUP AND REMOVAL FREEWAY/EXPRESSWAY
701901-09	TRAFFIC CONTROL DEVICES

\*COOK, DU PAGE AND WILL

MODEL: Default  
 FILE: \\p1111dot-pw-bentley.com\P1111DOT\Documents\DOT Offices\District 1\Projects\Sweeping Contracts\CADData\Design\SweepingContract2022.dgn

USER NAME = rodrigo.ledezma DESIGNED - DRAWN - PLOT SCALE = 100.0000' / in. CHECKED - PLOT DATE = 6/6/2023 DATE -	REVISED - REVISED - REVISED - REVISED -	<b>STATE OF ILLINOIS DEPARTMENT OF TRANSPORTATION</b>	<b>INDEX OF SHEETS AND STATE STANDARDS</b>	F.A. RTE. SECTION COUNTY TOTAL SHEETS SHEET NO. VAR '22 VAR SWEEP. NIGHT * 10 2 CONTRACT NO. 62U70 ILLINOIS   FEDAID PROJECT
		SCALE:	SHEET OF SHEETS STA. TO STA.	

SUMMARY OF QUANTITIES

CODE NO.	ITEM	UNIT	URBAN	100 % STATE
			TOTAL QUANTITIES	EXPRESSWAY
Z0010617	SUPPLEMENTAL SWEEPING	MILE	200	200
X0329915	FULL EXPRESSWAY CLEANING CYCLE	EACH	8	8

NOTES:

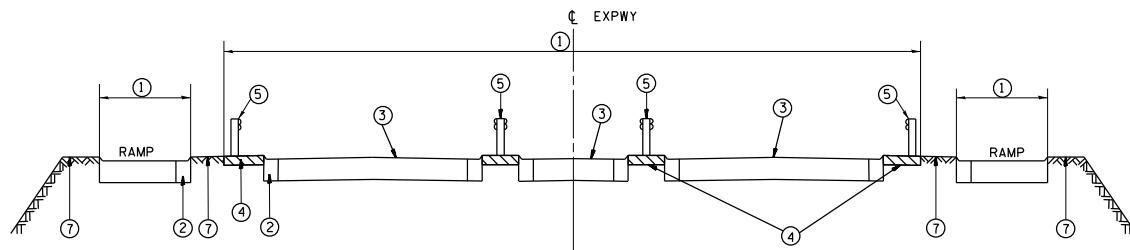
- SCHEDULE MAY VARY AS DIRECTED BY THE ENGINEER.
- THE CONTRACTOR MAY NOT START CLEANING CYCLES BEFORE THE DATES SCHEDULED IN THE PLANS WITHOUT WRITTEN AUTHORIZATION FROM THE ENGINEER.
- NO WORK WILL BE ALLOWED DURING ANY LEGAL HOLIDAY PERIOD.
- NO DAILY CONTRACTOR WORK REQUESTS/ SCHEDULING SHALL BE AUTORIZED OR APPROVED TO START WHEN IT IS DETERMINED BY THE ENGINEER THAT WEATHER CONDITIONS WILL BE UNFAVORABLE. APPROVAL OF ALL DAILY CONTRACTOR WORK SCHEDULE REQUEST SHALL BE SOLELY DETERMINED BY THE ENGINEER AND OR PROJECT SUPERVISOR.
- ALL LANE AND SHOULDER CLOSURES SHALL BE IMMEDIATELY REMOVED DURING ALL ADVERSE WEATHER CONDITIONS **WITHOUT EXCEPTION**, INCLUDING BUT NOT LIMITED TO RAIN, WET ROAD SURFACE (SPRAY FROM TIRES), MIST, DRIZZLE, SLEET, SNOW, FOG AND ANY OTHER CIRCUMSTANCE DETERMINED UNSAFE BY THE ENGINEER. **THE CONTRACTOR SHALL IMPLEMENT THIS CONTRACT REQUIREMENT IMMEDIATELY WITHOUT WAITING FOR DEPARTMENT INSTRUCTIONS.**
- BECAUSE SWEEPING OPERATIONS NEED WATER TO WORK EFFECTIVELY, SWEEPING WILL **NOT** BE ALLOWED WHEN TEMPERATURES OR WIND CHILL FACTORS ARE FORECASTED BY THE DEPARTMENTS CERTIFIED CONSULTING METEOROLOGISTS TO BE AT OR DROP BELOW FREEZING. **TEMPERATURE MUST BE ABOVE THIRTY TWO (32) DEGREES FARENHEIT.** ALL SHOULDER AND CURB LINES MUST BE FREE OF ANY EXISTING SNOW AND OR ICE. DRY SWEEPING SHALL BE ALLOWED ONLY IF IT IS CONSIDERED AN EMERGENCY, IMMEDIATE HAZARD, OR ANY WORK AS DESIGNATED BY THE DEPARTMENT THAT REQUIRES FIRST PRIORITY CORRECTIVE ACTION.
- NO WORK WILL BE ALLOWED DAY OR NIGHT ON THE FOLLOWING DATES UNLESS IT IS CONSIDERED AN EMERGENCY, IMMEDIATE HAZARD OR ANY WORK AS DESIGNATED BY THE DEPARTMENT THAT REQUIRES FIRST PRIORITY CORRECTIVE ACTION:

2021:	APRIL 2 - APRIL 5	EASTER HOLIDAY
	MAY 28 - JUNE 2	MEMORIAL DAY HOLIDAY
	JULY 3 - JULY 7	INDEPENDENCE DAY HOLIDAY
	SEPTEMBER 3 - SEPTEMBER 7	LABOR DAY HOLIDAY
	NOVEMBER 22 - NOVEMBER 28	THANKSGIVING HOLIDAY
	DECEMBER 23 - JANUARY 1/2022	CHRISTMAS/NEW YEAR'S HOLIDAY

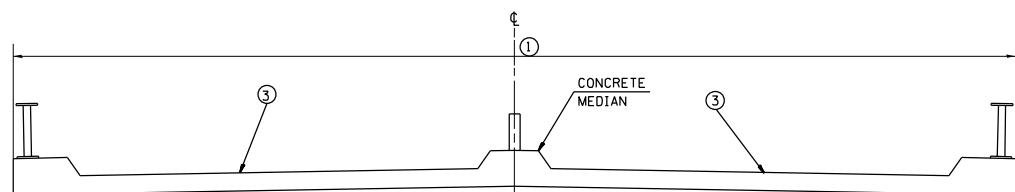
\* COOK, DU PAGE AND WILL

MODEL: Default  
FILE NAME: p:\ultra-new-beadley.com\PI\DOT\Documents\DOT Office\Dir\drt. 1\Project\Sweeping\_Contracts\CAD\Draw\Draw\SweepingContract2022.dwg

USER NAME = rodrigo.ledezma	DESIGNED -	REVISED -	<b>STATE OF ILLINOIS DEPARTMENT OF TRANSPORTATION</b>	<b>SUMMARY OF QUANTITIES SCHEDULE OF STARTING DATES</b>		F.A. RTE.	SECTION	COUNTY	TOTAL SHEETS	SHEET NO.			
PLOT SCALE = 100,0000 ' / in.	DRAWN -	REVISED -		SCALE:	SHEET	OF	SHEETS	STA.	TO STA.	VAR '22 VAR SWEEP. NIGHT	*	10	3
PLOT DATE = 6/6/2023	CHECKED -	REVISED -								CONTRACT NO. 62U70			
	DATE -	REVISED -								ILLINOIS FED. AID PROJECT			

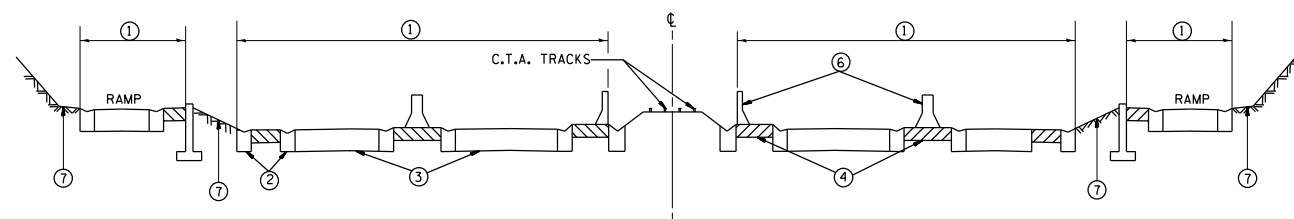


TYPICAL EXPRESSWAY CROSS-SECTION NO. 1

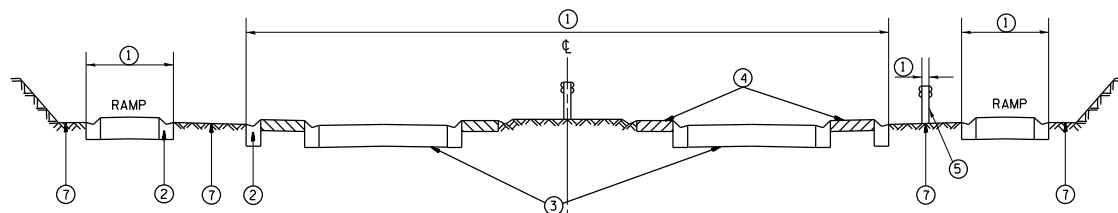


TYPICAL CROSS-SECTION OF ELEVATED ROADWAY

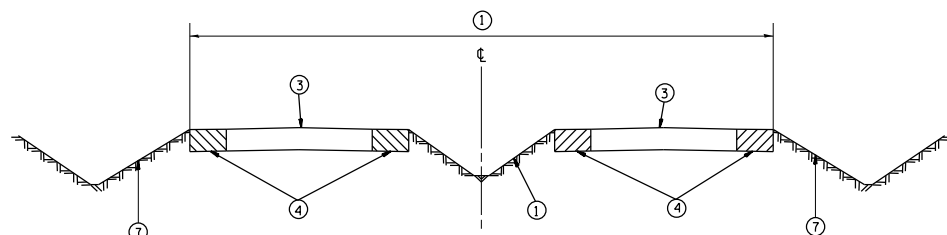
TYPICAL EXPRESSWAY CROSS-SECTION NO. 2



TYPICAL EXPRESSWAY CROSS-SECTION NO. 3



TYPICAL EXPRESSWAY CROSS-SECTION NO. 4



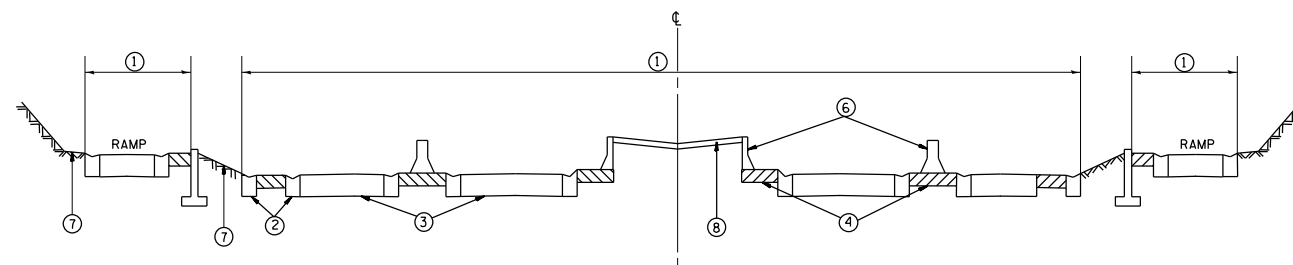
TYPICAL EXPRESSWAY CROSS-SECTION NO. 5

LEGEND

- ① AREA OF ROADWAY CLEANING, DEBRIS AND RUBBISH REMOVAL
- ② CURB AND GUTTER
- ③ TRAVELED ROADWAY
- ④ STABILIZED SHOULDER OR MEDIAN OR SIDEWALK
- ⑤ STEEL PLATE GUARD RAIL (SEE NOTE A)
- ⑥ CONCRETE BARRIER
- ⑦ NON STABILIZED SURFACE
- ⑧ RAISED CONCRETE MEDIAN

NOTE:

- A) ALL MATERIAL/DEBRIS REGARDLESS OF THE THICKNESS AND SIZE SHALL BE REMOVED AND PROPERLY DISPOSED FROM THE STABILIZED SURFACE.
- B) ALL DRAINAGE STRUCTURES MUST BE CLEARED OF DEBRIS WITHIN THE MEDIAN.



TYPICAL EXPRESSWAY CROSS-SECTION NO. 6

\* COOK, DU PAGE AND WILL

MODEL Default  
 FILE Name: p:\projects\sw\_beneficiary.com\FW\DOT\Documents\DOT Office\Director: \Projects\Sweeping\_Contracts\CAD\Drawings\Drawings\Sweeping\Contract2022.dwg

USER NAME = rodrigo.ledezma	DESIGNED -	REVISED -
PLOT SCALE = 100,0000' / in.	DRAWN -	REVISED -
PLOT DATE = 6/6/2023	CHECKED -	REVISED -
	DATE -	REVISED -

STATE OF ILLINOIS  
DEPARTMENT OF TRANSPORTATION

TYPICAL EXPRESSWAY  
CROSS-SECTIONS

SCALE: SHEET OF SHEETS STA. TO STA.

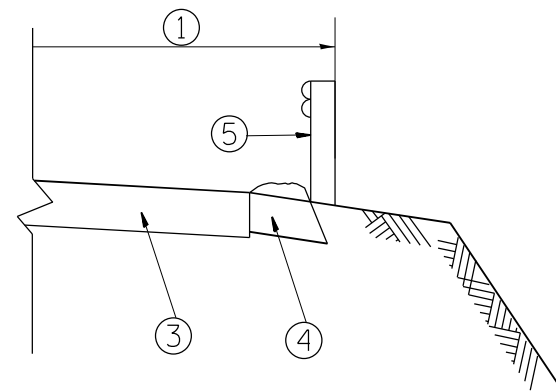
F.A. RTE.	SECTION	COUNTY	TOTAL SHEETS	SHEET NO.
VAR '22 VAR SWEEP. NIGHT		*	10	4
CONTRACT NO. 62U70				
ILLINOIS FED. AID PROJECT				

LEGEND

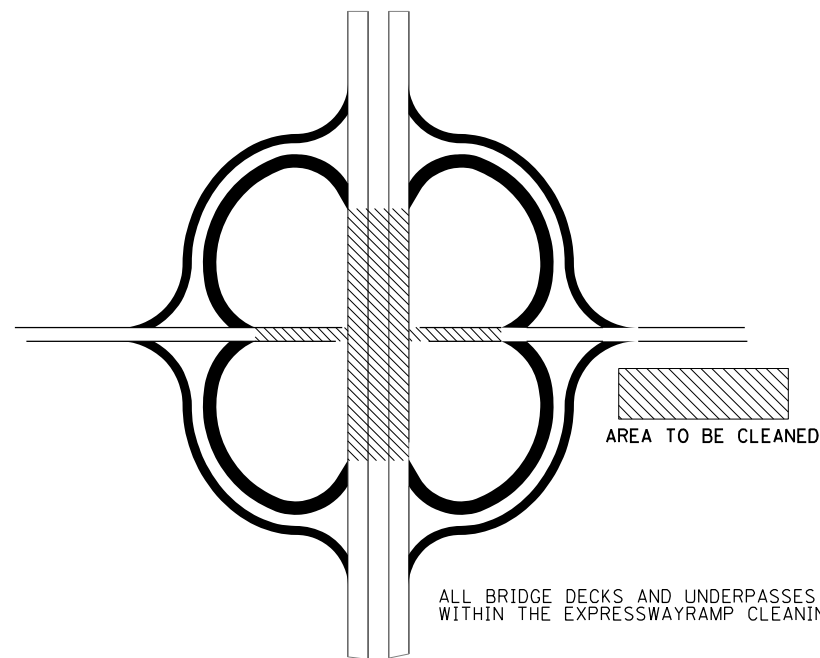
- ① AREA OF ROADWAY CLEANING, DEBRIS AND RUBBISH REMOVAL
- ② CURB AND GUTTER
- ③ TRAVELED ROADWAY
- ④ STABILIZED SHOULDER OR MEDIAN OR SIDEWALK
- ⑤ STEEL PLATE GUARD RAIL (SEE NOTE A)

NOTE:

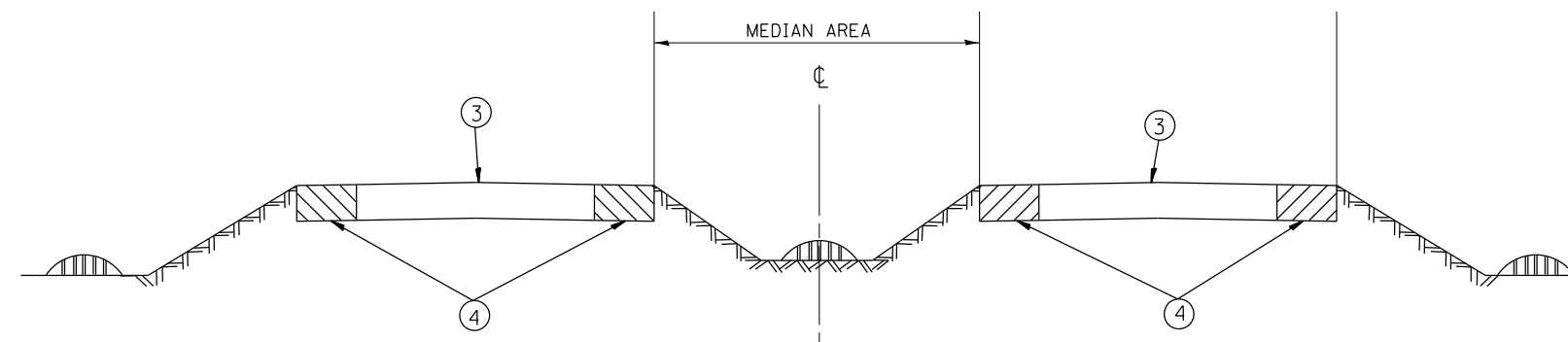
- A) ALL MATERIAL/DEBRIS REGARDLESS OF THE THICKNESS AND SIZE SHALL BE REMOVED AND PROPERLY DISPOSED FROM THE STABILIZED SURFACE.
- B) ALL DRAINAGE STRUCTURES MUST BE CLEARED OF DEBRIS WITHIN THE MEDIAN.



GUARDRAIL LABOR DETAIL



ALL BRIDGE DECKS AND UNDERPASSES MUST BE SWEEPED WITHIN THE EXPRESSWAY/RAMP CLEANING CYCLE.



STRUCTURE CLEANING DETAIL

MODEL: Default  
FILE: Mainfile.pia  
PROJECT: \Projects\Sweeping\_Contracts\CAD\Drawings\Drawings\Sweeping\_Contract2022.dwg

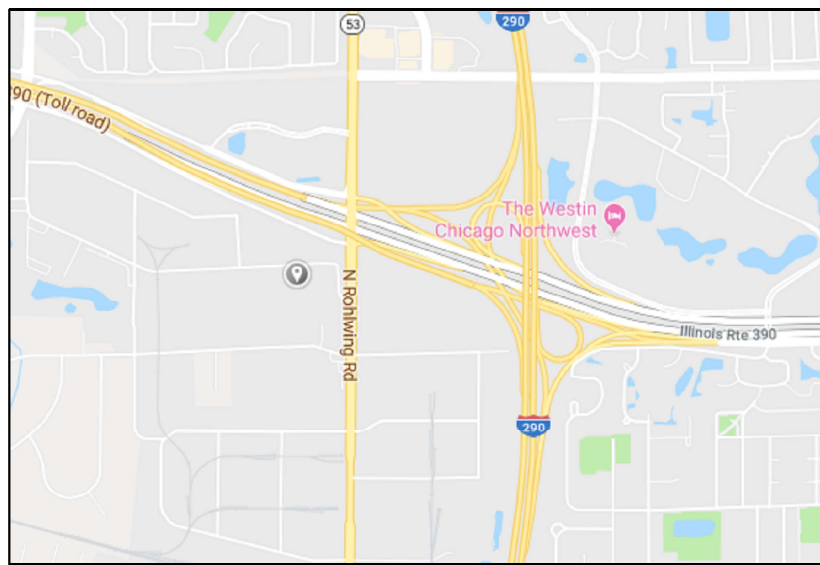
USER NAME = rodrigo.ledezma	DESIGNED -	REVISED -
PLOT SCALE = 100,0000 ' / in.	DRAWN -	REVISED -
PLOT DATE = 6/6/2023	CHECKED -	REVISED -
	DATE -	REVISED -

STATE OF ILLINOIS  
DEPARTMENT OF TRANSPORTATION

TYPICAL ROADWAY  
CLEANING DETAILS

SCALE: SHEET OF SHEETS STA. TO STA.

F.A. RTE.	SECTION	COUNTY	TOTAL SHEETS	SHEET NO.
VAR '22 VAR SWEEP. NIGHT		*	10	5
			CONTRACT NO. 62U70	
		ILLINOIS	FED. AID PROJECT	



- DISTRICT NO. 1
- STATE HIGHWAYS & EXPRESSWAYS WITHIN STATE JURISDICTION (EXCEPT TOLLWAYS)
  - STATE HIGHWAYS & EXPRESSWAYS TO BE CLEANED
  - FUTURE HIGHWAYS
  - VARIOUS AGENCIES HIGHWAYS

**NIGHT CLEANING ONLY**

Kennedy Expressway  
 Interstate 90/94 from Interstate 290 to Interstate 90/94 junction at Edens Expressway, Interstate 90 from Interstate 90/94 junction at Edens Expressway to Interstate 90/190, Interstate 190 from Interstate 90/190 junction to the east limits of O'Hare International Airport, Interstate 90 from the Interstate 90/190 junction to the tollway turnaround, all ramps from the Jane Byrne Circle Interchange at the Eisenhower Expressway to Lake St, the Ohio Street Feeder, from Orleans Street to Interstate 90/94 and all accident investigation sites and any ramps unable to be swept during the day, if applicable.

**ACCIDENT INVESTIGATION SITES:**

1. INBOUND INTERSTATE 90/94 AT ADDISON STREET OFF RAMP.
2. INBOUND INTERSTATE 90/94 ALONG FULLERTON AVENUE UNDER INTERSTATE 90/94.
3. INBOUND INTERSTATE 90/94 IN THE OHIO STREET INFIELD.
4. INTERSTATE 90/94 AT POLK AVENUE.
5. OUTBOUND INTERSTATE 90/94 ALONG DIVISION STREET OFF RAMP.
6. OUTBOUND INTERSTATE 90/94 ALONG INTERSTATE 90/94 AT DAMEN AVENUE.
7. OUTBOUND INTERSTATE 90/94 ALONG FULLERTON AVENUE UNDER INTERSTATE 90/94.
8. OUTBOUND INTERSTATE 90/94 ALONG KIMBALL STREET OFF RAMP.
9. OUTBOUND INTERSTATE 94 ALONG FOSTER AVENUE OFF RAMP.
10. OUTBOUND INTERSTATE 90/94 JUST BEFORE LAWRENCE AVENUE OFF RAMP.

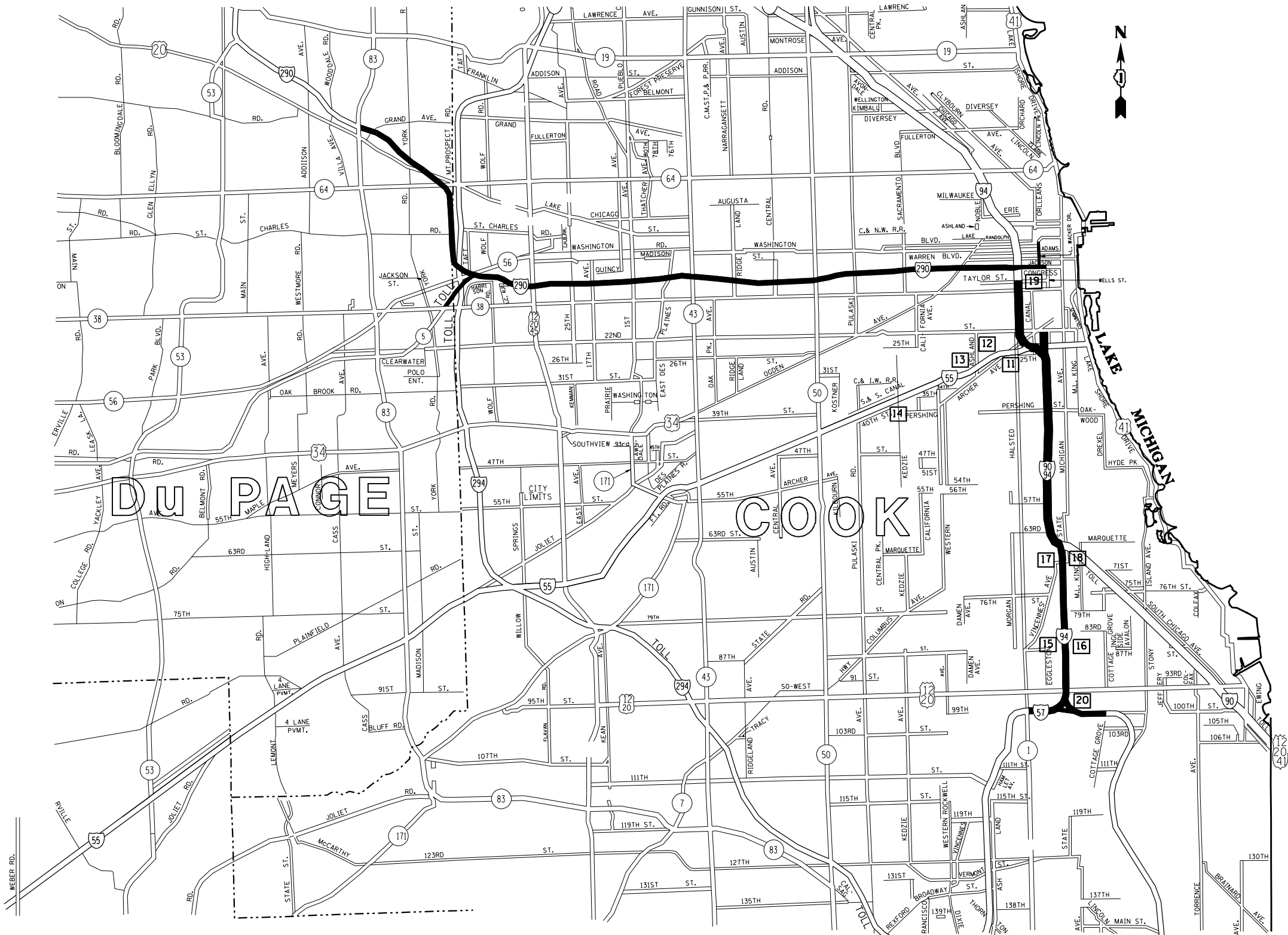
\* COOK, DU PAGE AND WILL

MODEL: Default  
 FILE NAME: p:\projects\sw\_bendley.com\PIV\DOT\Documents\DOT Office\District 1\Projects\Sweeping\_Contracts\CAD\Drawings\District1\SweepingContract2022.dwg  
 PROJECT: Sweepings

USER NAME = rodrigo.ledezma	DESIGNED -	REVISED -
	DRAWN -	REVISED -
PLOT SCALE = 100,000' / 1in.	CHECKED -	REVISED -
PLOT DATE = 6/6/2023	DATE -	REVISED -

**STATE OF ILLINOIS  
 DEPARTMENT OF TRANSPORTATION**

<b>EXPRESSWAY CLEANING LOCATION MAP</b>		F.A. RTE.	SECTION	COUNTY	TOTAL SHEETS	SHEET NO.
<b>i-290 EXTENSION I-53, EDENS, KENNEDY</b>		VAR '22 VAR SWEEP. NIGHT	*		10	6
SCALE:		SHEET OF SHEETS		STA. TO STA.	CONTRACT NO. 62U70	
				ILLINOIS FED. AID PROJECT		



**NIGHT CLEANING ONLY**

**Eisenhower Expressway**  
 Interstate 290 from Austin Blvd. to IL-83 left hand side only.

**Dan Ryan Expressway**  
 Interstate 94 from Interstate 290 to Cottage Grove Avenue, except the right hand side of local and express lanes and all ramps from Cottage Grove Ave to 31st St, all slip ramps between local and express lanes, and also Interstate 57 from Interstate 94 to Halsted Street left hand side only, Franklin Street connector from 22nd Street to Interstate 94, and all accident investigation sites.

**ACCIDENT INVESTIGATION SITES:**

- FOR LOCATIONS 1-10, SEE INNER CITY EXPRESSWAY (NORTH SECTION)
- 11. INBOUND INTERSTATE 55 AT HALSTED STREET
  - 12. OUTBOUND INTERSTATE 55 AT THROOP STREET
  - 13. INBOUND INTERSTATE 55 AT WOOD STREET. (LOCATED UNDER I-55)
  - 14. OUTBOUND INTERSTATE 55 AT KEDZIE AVENUE
  - 15. INTERSTATE 90/94 AT 87th STREET (NORTHBOUND AND SOUTHBOUND)
  - 16. INTERSTATE 90/94 AT 71st STREET (NORTHBOUND AND SOUTHBOUND)
  - 17. INTERSTATE 90/94 AT POLK STREET
  - 18. INTERSTATE 90/94 AT KING DRIVE
  - 19.
  - 20.

**DISTRICT NO. 1**

- STATE HIGHWAYS & EXPRESSWAYS WITHIN STATE JURISDICTION (EXCEPT TOLLWAYS)
- STATE HIGHWAYS & EXPRESSWAYS TO BE CLEANED
- - - FUTURE HIGHWAYS
- VARIOUS AGENCIES HIGHWAYS

\* COOK, DU PAGE AND WILL

MODEL: Defaul  
 FILE NAME: p:\idirect-pw-bentley.com\PIV\DOT\Documents\DOT Office\Direct - 11\Projects\Sweeping\Contract\CAD\Drawings\Drawings\Sweeping\Contract2022.dwg

USER NAME = rodrigo.ledezma	DESIGNED -	REVISED -
	DRAWN -	REVISED -
PLOT SCALE = 100,0000' / in.	CHECKED -	REVISED -
PLOT DATE = 6/6/2023	DATE -	REVISED -

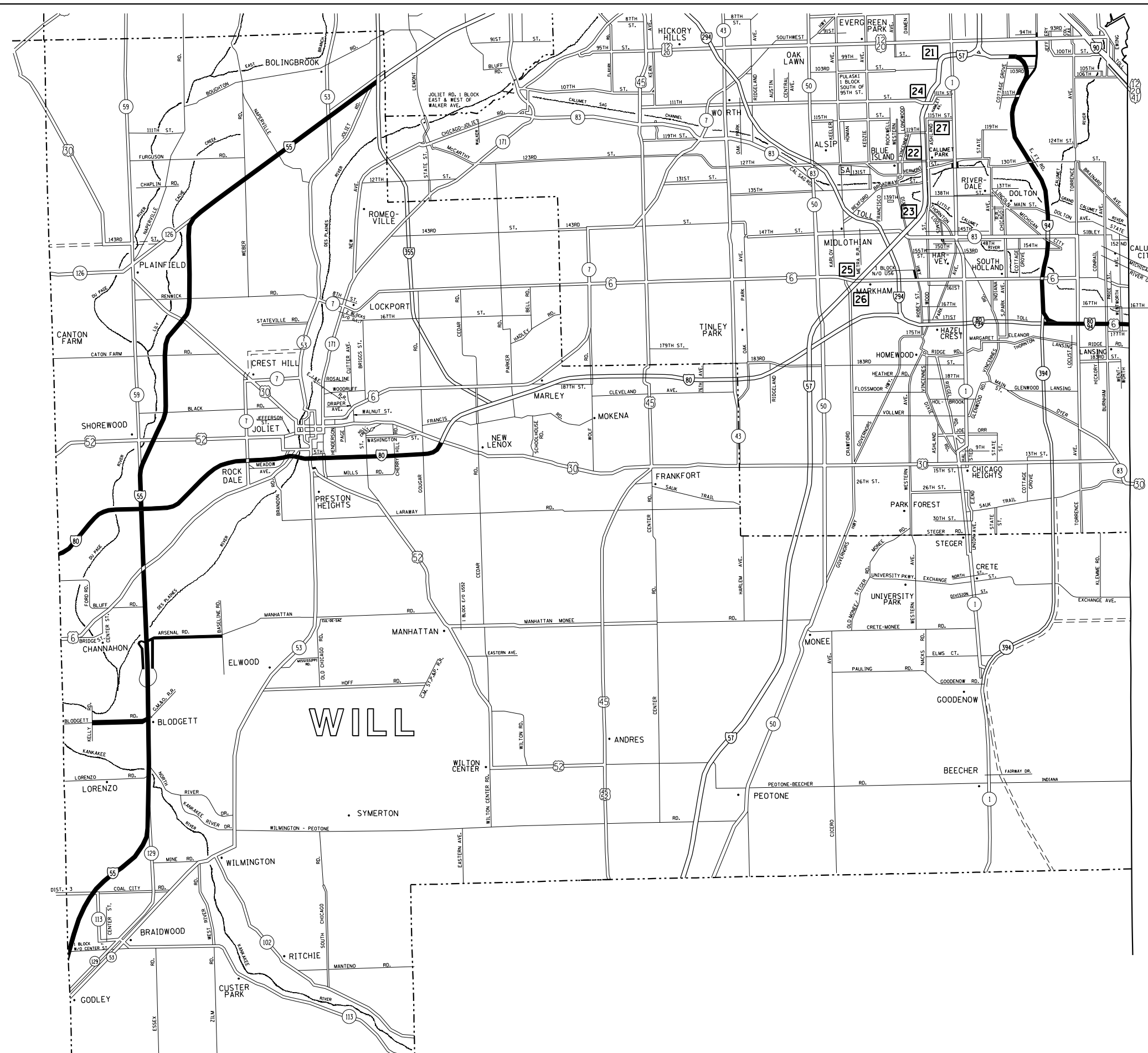
**STATE OF ILLINOIS  
 DEPARTMENT OF TRANSPORTATION**

**EXPRESSWAY CLEANING LOCATION MAP  
 EISENHOWER, STEVENSON, DAN RYAN & I-55**

SCALE: SHEET OF SHEETS STA. TO STA.

F.A. RTE.	SECTION	COUNTY	TOTAL SHEETS	SHEET NO.
VAR '22 VAR SWEEP. NIGHT		*	10	7
			CONTRACT NO. 62U70	
		ILLINOIS FED. AID PROJECT		





NIGHT CLEANING ONLY

**Bishop Ford Expressway**  
Interstate 94 from Cottage Grove Ave. to 171st St. northbound and southbound left hand side only.

**I-80 Expressway**  
Interstate 80 from US 30 to Will - Kendall County Line, except ramps.

**I-55 Expressway**  
Interstate 55 from I-355 to I&M Canal, left side only.

- 21 - 23 INTERSTATE 57-3 LOCATIONS IN THE MEDIAN BETWEEN HALSTED AND 147th ST.
- 24. OUTBOUND INTERSTATE 57 AT 111th STREET EXIT RAMP
- 25 - 26 INTERSTATE 57 - 2 LOCATIONS ON THE 167th STREET RAMPS
- 27 INTERSTATE 57 - IN THE MEDIAN AT 119th STREET

INDIANA

- DISTRICT NO. 1
- STATE HIGHWAYS & EXPRESSWAYS WITHIN STATE JURISDICTION (EXCEPT TOLLWAYS)
  - STATE HIGHWAYS & EXPRESSWAYS TO BE CLEANED
  - FUTURE HIGHWAYS
  - VARIOUS AGENCIES HIGHWAYS

\* COOK, DU PAGE AND WILL

MODEL: Default  
FILE NAME: p:\illdot-pw-bentley.com\PIV\DOT\Documents\DOT Office\District 1\Projects\Sweeping\Contract\62272.dgn

USER NAME = rodrigo.ledezma	DESIGNED -	REVISED -
	DRAWN -	REVISED -
PLOT SCALE = 100,000' / in.	CHECKED -	REVISED -
PLOT DATE = 6/6/2023	DATE -	REVISED -

**STATE OF ILLINOIS  
DEPARTMENT OF TRANSPORTATION**

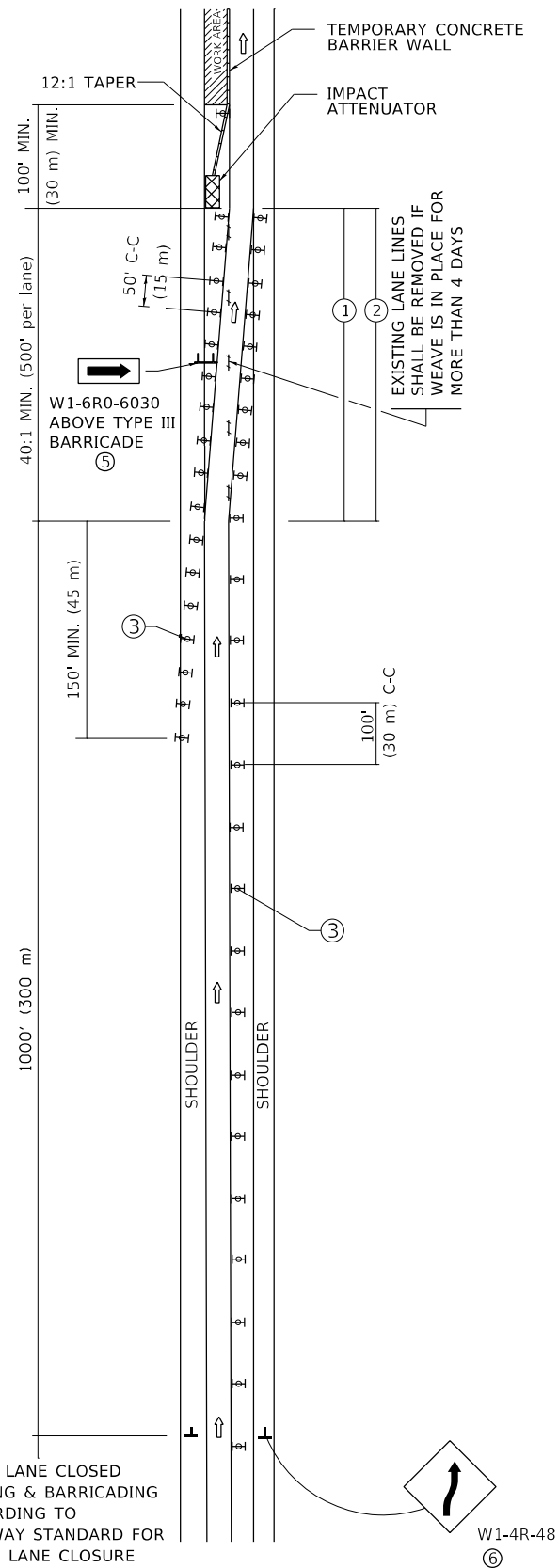
**EXPRESSWAY CLEANING LOCATION MAP  
BISHOP FORD, KINGERY, I-55, I-57 & I-80**

SCALE: SHEET OF SHEETS STA. TO STA.

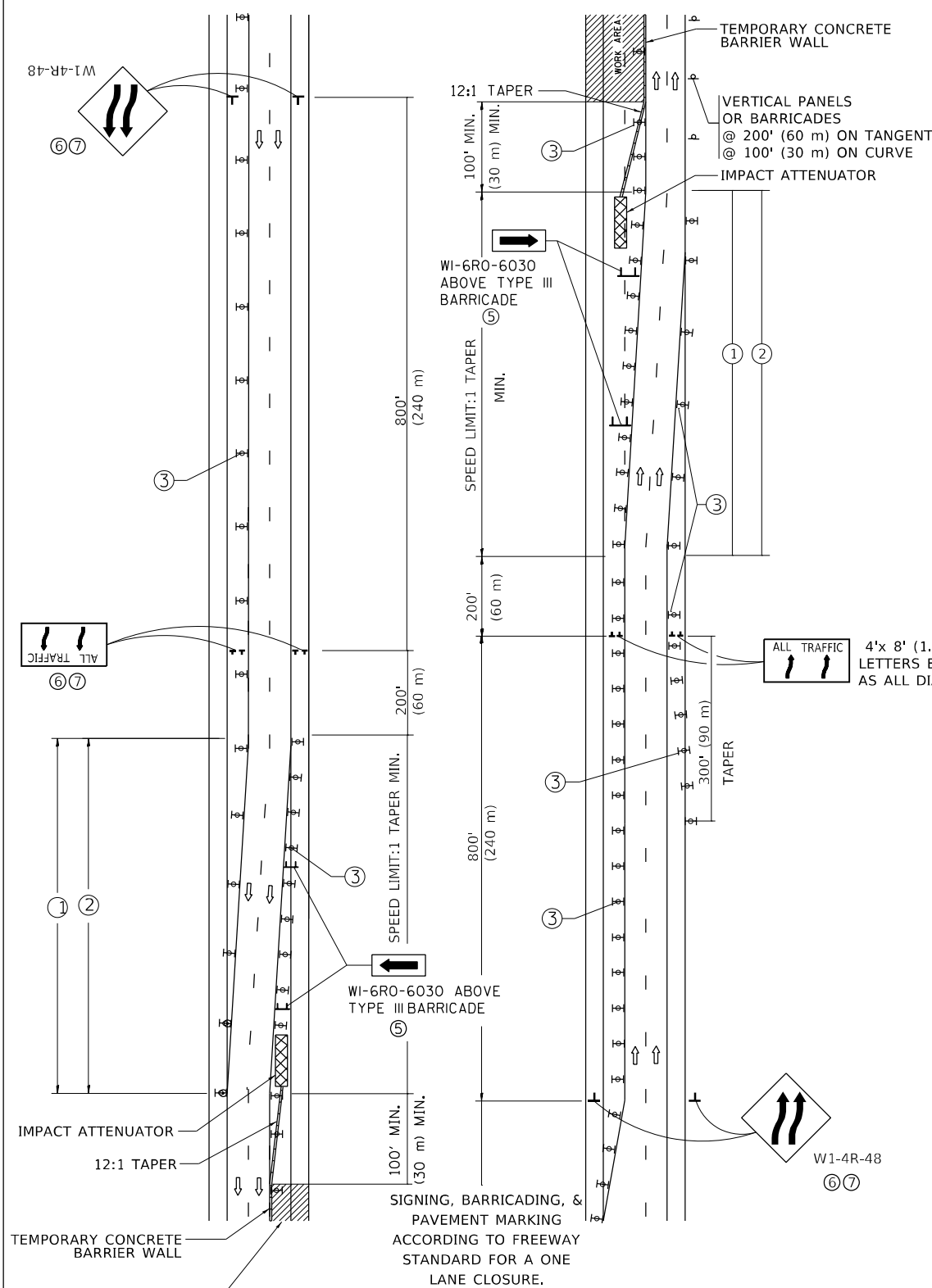
F.A. RTE.	SECTION	COUNTY	TOTAL SHEETS	SHEET NO.
VAR '22 VAR SWEEP. NIGHT		*	10	8
			CONTRACT NO. 62U70	
		ILLINOIS FED. AID PROJECT		



# SINGLE LANE WEAVE

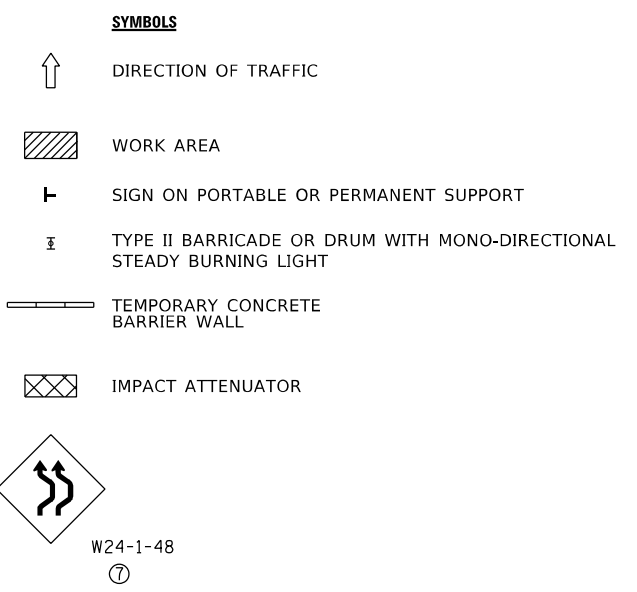


# MULTI-LANE WEAVE



### GENERAL NOTES:

- ① EXISTING CONFLICTING PAVEMENT MARKING LINES SHALL BE REMOVED. PAVEMENT MARKING REMOVAL SHALL NOT BE REQUIRED FOR SINGLE LANE WEAVES UNDER 4 DAYS IN DURATION.
- ② CONTINUOUS REFLECTIVE TEMPORARY PAVEMENT MARKING TAPE SHALL BE PLACED THROUGHOUT THE TAPER AND FOR 300' (90 m) ALONG SIDE THE WORK AREA WHERE THE CLOSURE TIME IS GREATER THAN FOURTEEN DAYS. THE LEFT EDGE LINE SHALL BE YELLOW AND THE RIGHT EDGE LINE SHALL BE WHITE. FOR MULTI-LANE WEAVES LANE LINES SHALL BE 5 INCH, 10'-30' (3 m-9 m) SKIP DASH, WHITE.
- ③ PLASTIC DRUMS WITH STEADY BURN LIGHTS AT 50' (15 m) C-C SPACING IN TAPERS AND 100' (30 m) C-C SPACING IN TANGENTS.
- ④ ALL SIGNS SHALL BE POST MOUNTED IF THE CLOSURE TIME EXCEEDS FOUR DAYS.
- ⑤ TYPE III BARRICADES MAY BE OMITTED FOR SINGLE-LANE WEAVES UNDER 24-HOURS IN DURATION. W1-6 SIGNS WILL STILL BE REQUIRED. IF THE WIDTH OF OFFSET IS LESS THAN 6' THEN THE TYPE III BARRICADE WITH ATTACHED ARROW SIGN PANEL CAN BE ELIMINATED IN THE TAPER AREAS.
- ⑥ WHEN THE LENGTH OF THE SHIFTED SEGMENT (DISTANCE BETWEEN WEAVE POINTS) IS LESS THAN 1500', DOUBLE REVERSE CURVE SIGNS (W24-1) SHOULD BE USED INSTEAD OF THE REVERSE CURVE (W1-4) SIGNS. ARROWS ON THE 4'X8' "ALL TRAFFIC" SIGNS SHALL BE THE SAME SHAPE.
- ⑦ THE NUMBER OF ARROWS ON THESE SIGNS SHALL MATCH THE NUMBER OF LANES OPEN TO TRAFFIC.



ALL DIMENSIONS ARE IN INCHES (MILLIMETERS) UNLESS OTHERWISE SHOWN  
\*COOK, DU PAGE AND WILL

MODEL: Default  
FILE NAME: p:\bulletect-pw-benefits.com\PIV\DOT\Documents\DOT Office\District: 11\Projects\Sweeping\_Contracts\CAD\Drawings\Drawings\Contract2022.dwg

USER NAME = rodrigo.ledezma	DESIGNED - D.W.S.	REVISED - J.A.F. 02-06
PLOT SCALE = 100,0000' / in.	CHECKED -	REVISED - S.P.B. 01-07
PLOT DATE = 6/6/2023	DATE - 02-87	REVISED - S.P.B. 12-09
		REVISED - M.D. 06-13

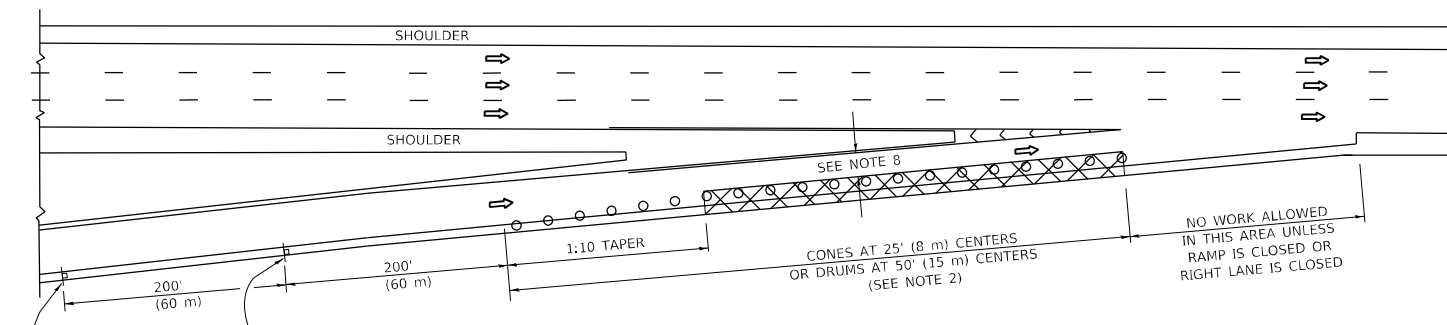
**STATE OF ILLINOIS  
DEPARTMENT OF TRANSPORTATION**

**TRAFFIC CONTROL DETAILS FOR  
FREEWAY SINGLE & MULTI-LANE WEAVE**

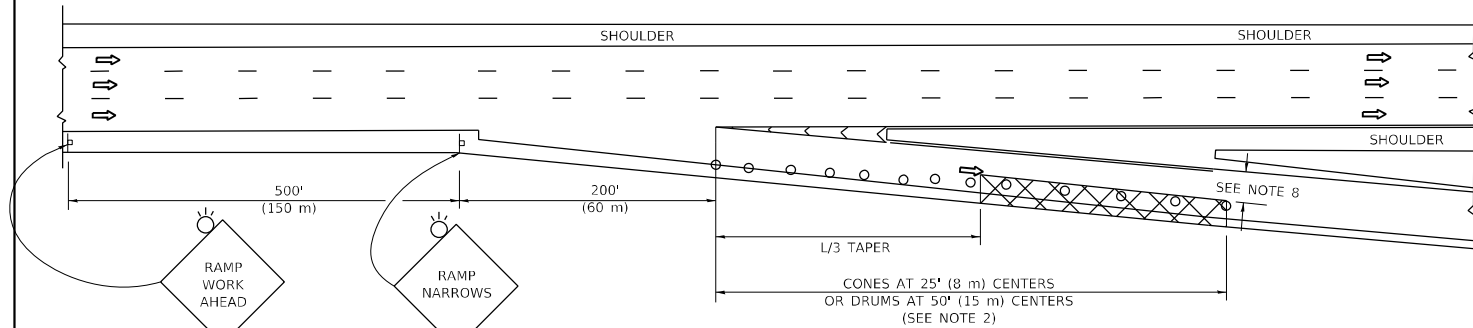
SCALE: NONE SHEET 1 OF 1 SHEETS STA. TO STA.

F.A. RTE.	SECTION	COUNTY	TOTAL SHEETS	SHEET NO.
VAR	'22 VAR SWEEP. NIGHT	*	10	9
TC-09			CONTRACT NO. 62U70	
ILLINOIS FED. AID PROJECT				

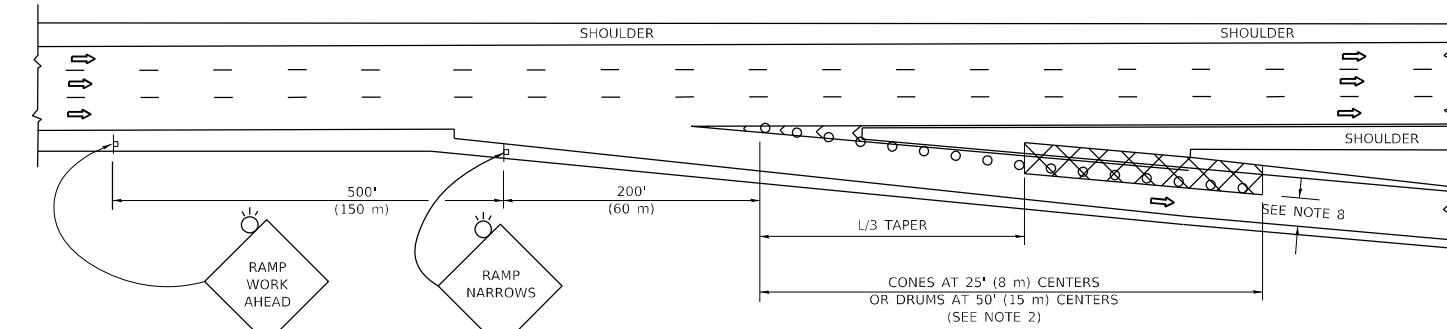
**PARTIAL RAMP CLOSURE DETAILS**



**TYPICAL ENTRANCE RAMP**



**TYPICAL EXIT RAMP**



**TYPICAL EXIT RAMP**

**SYMBOLS**

- ACTIVE WORK AREA
- SIGN ON PORTABLE OR PERMANENT SUPPORT
- FLAGGER WITH CONTROL SIGN
- TYPE II BARRICADE OR DRUM
- CONE, DRUM OR BARRICADE
- IMPACT ATTENUATOR OF TYPE AND TEST LEVEL SPECIFIED

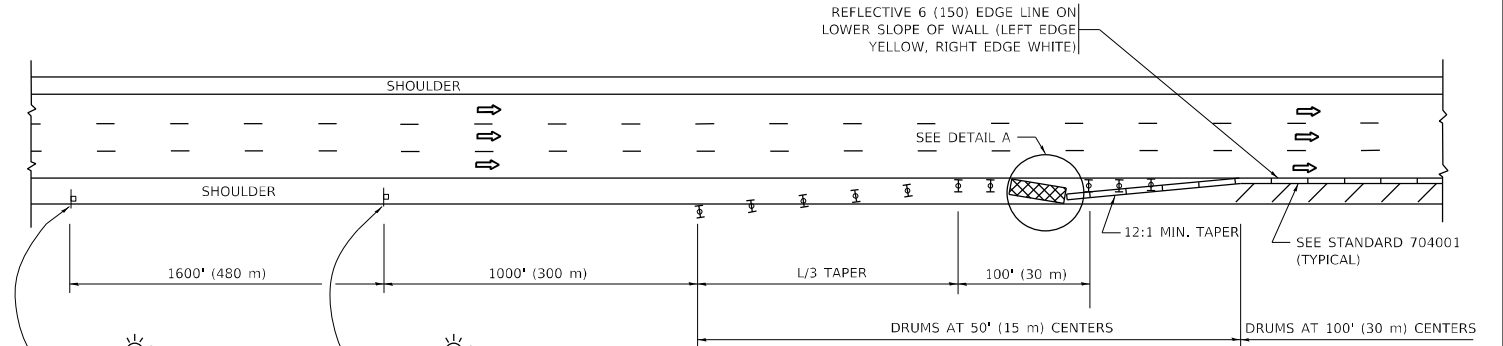
**GENERAL NOTES:**

- THE "L" DISTANCE EQUALS:  

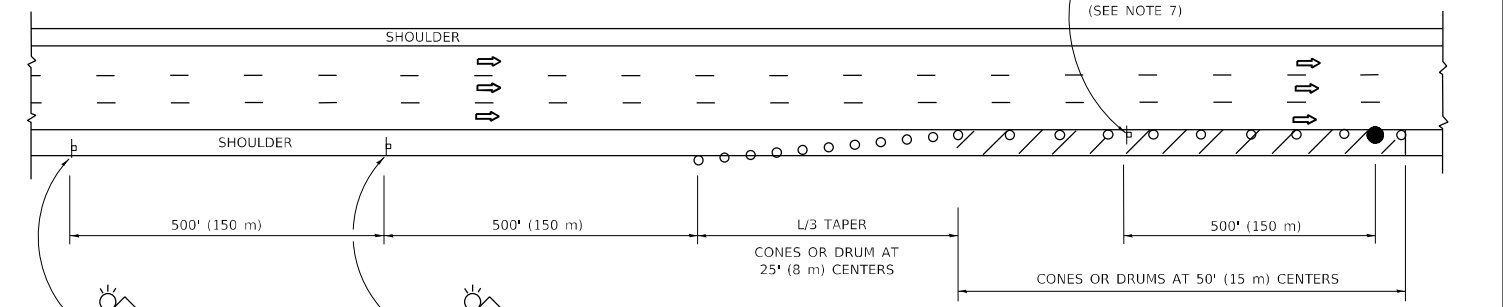
$L = \frac{S^2}{300}$	$L = \frac{S^2}{1.47}$
<small>SPEED LIMIT</small>	<small>FORMULAS</small>
45 mph (80 km/h)	METRIC ENGLISH
OR GREATER:	$L = 0.65(W/S)$ $L = (W/S)$

W = WIDTH OF OFFSET IN FEET (METERS)  
S = NORMAL POSTED SPEED MPH (KM/H)
- TYPE II BARRICADES OR DRUMS ARE REQUIRED FOR ALL NIGHTTIME CLOSURES. TYPE II BARRICADES OR DRUMS WITH MONODIRECTIONAL STEADY BURN LIGHTS ARE REQUIRED FOR DELINEATING OBSTACLES, EXCAVATIONS, OR HAZARDS EXCEEDING 100 FT (30m) IN LENGTH AT NIGHT.
- ALL SIGNS SHALL BE POST MOUNTED IF THE CLOSURE TIME EXCEEDS FOUR DAYS.
- FLASHING LIGHTS SHALL BE USED DURING THE HOURS OF DARKNESS AND SHALL BE INSTALLED ABOVE THE FIRST TWO SETS OF SIGNS.

**SHOULDER CLOSURE DETAILS**



**PERMANENT SHOULDER CLOSURE**



**TEMPORARY SHOULDER CLOSURE**

THIS DETAIL IS USED WHERE:  
1. VEHICLES, EQUIPMENT, WORKERS OR THEIR ACTIVITIES ENCR OACH IN AN AREA CLOSER THAN 15' (4.5 m) TO THE EDGE OF PAVEMENT FOR A PERIOD IN EXCESS OF 15 MINUTES.



**DETAIL "A"  
IMPACT ATTENUATOR, TEMPORARY  
(SEE NOTE 5)**

- THE IMPACT ATTENUATOR, TEMPORARY IS NOT REQUIRED WHEN THE TEMPORARY CONCRETE BARRIER WALL IS PROTECTED BY OR IS TIED INTO THE EXISTING GUARDRAIL. IF OFFSET IS LESS THAN 5 FEET USE NARROW USE TYPE DEVICE TO MEET NCHRP350/MASH.
- AUTHORIZATION FROM THE DISTRICT'S BUREAU OF TRAFFIC IS REQUIRED FOR ALL FREEWAY CLOSURES.
- THE FLAGGER AND FLAGGER SIGN ARE REQUIRED AT THE ABOVE WORK SITES WHEN:
  - FOUR OR MORE WORK VEHICLES ENTER THE TRAFFIC LANES IN A ONE HOUR PERIOD.
  - THE WORK AVTIVITY REQUIRES FREQUENT ENCR OACHMENT INTO THE LANE OPEN TO TRAFFIC. THE FLAGGER SHALL BE STATIONED APPROXIMATELY 100' (30 m) TO 200' (60 m) IN ADVANCE OF THE WORKERS.
- 12' MIN. WIDTH TANGENT SECTION  
16' MIN. WIDTH CURVE SECTION.
- TEMPORARY SHOULDER AND NON-SYSTEM INTERCHANGE PARTIAL CLOSURES ARE ALLOWED WEEKDAYS BETWEEN 9:00 A.M. AND 3:00 P.M. AND BETWEEN 7:00 P.M. AND 5:00 A.M. OR AS APPROVED BY THE EXPRESSWAY TRAFFIC OPERATIONS ENGINEER. PERMANENT SHOULDER AND PARTIAL RAMP CLOSURES WILL ONLY BE PERMITTED IF CALLED FOR IN THE PLANS OR AS APPROVED BY THE EXPRESSWAY OPERATIONS ENGINEER.

ALL DIMENSIONS ARE IN INCHES (MILLIMETERS) UNLESS OTHERWISE SHOWN.

\* COOK, DU PAGE AND WILL

MODEL: Default; FILE: \\blm\p2\project\aw\be\p2\com\p\DOT\Documents\DOT\Office\Dir\rdet\_1\Project\Sweeping\Contract\2022.dgn

USER NAME = rodrigo.ledezma	DESIGNED -	REVISED - S.P.B. 12-09
	DRAWN - D.W.S.	REVISED - M.D. 06-13
PLOT SCALE = 100,0000' / in.	CHECKED -	REVISED - M.D. 01-18
PLOT DATE = 6/6/2023	DATE - 11-96	REVISED - M.D. 10-20

**STATE OF ILLINOIS  
DEPARTMENT OF TRANSPORTATION**

**TRAFFIC CONTROL DETAILS FOR FREEWAY  
SHOULDER CLOSURES AND PARTIAL RAMP CLOSURES**

SCALE: NONE SHEET 1 OF 1 SHEETS STA. TO STA.

F.A. RTE.	SECTION	COUNTY	TOTAL SHEETS	SHEET NO.
'22 VAR SWEEP. NIGHT		*	10	10
<b>TC-17</b>		CONTRACT NO. 62U70		
ILLINOIS FED. AID PROJECT				