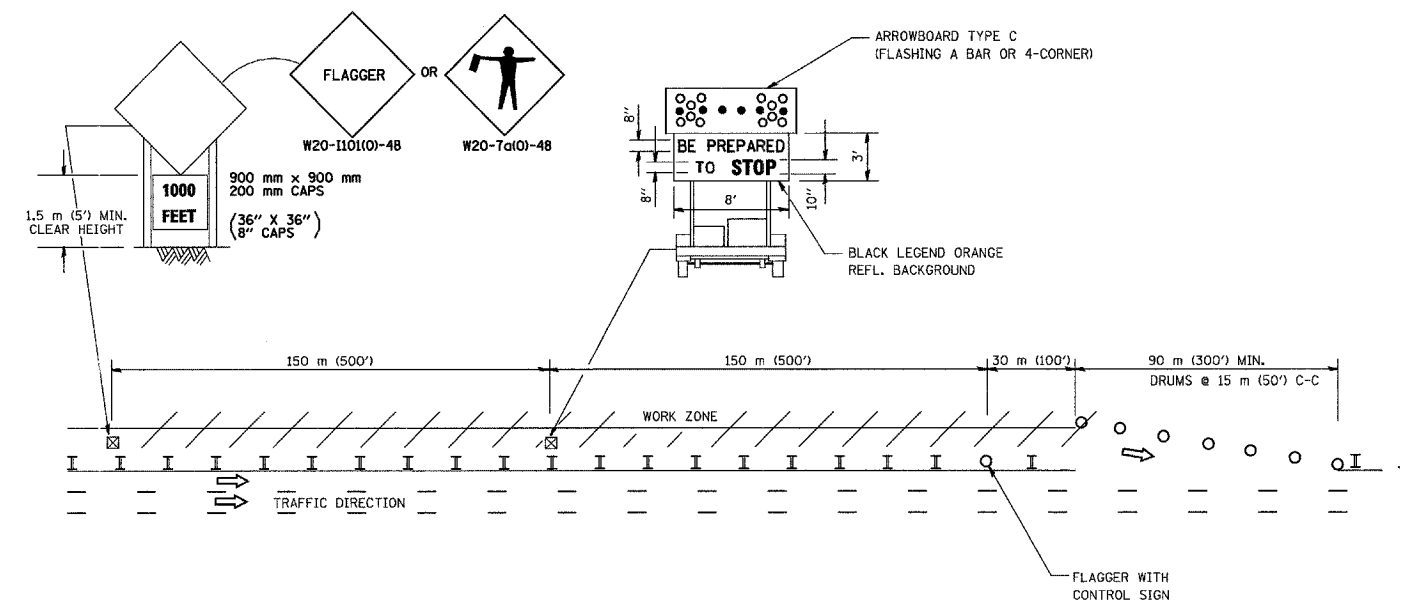


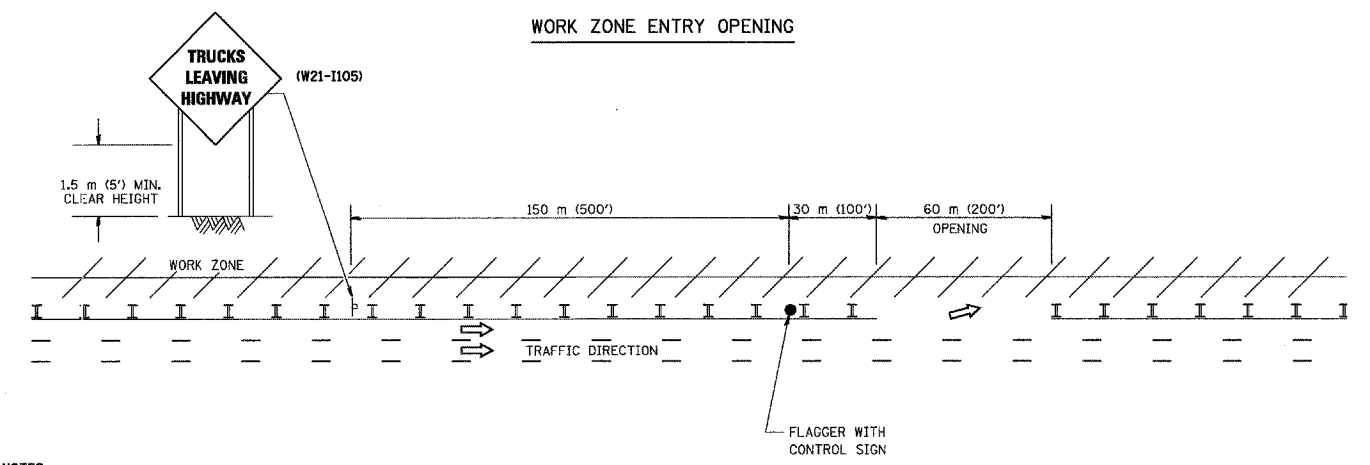
F.A. RTE.	SECTION	COUNTY	TOTAL SHEETS	SHEET NO.
			85	68
STA.		TO STA.		
FED. ROAD DIST. NO.	ILLINOIS	FED. AID PROJECT		

SIGNING FOR FLAGGING OPERATIONS AT WORK ZONE OPENINGS

WORK ZONE EXIT OPENING



WORK ZONE ENTRY OPENING



NOTES:

1. The Arrowboard, the Flagger Ahead trailer mounted sign, and the Trucks Leaving Highway sign shall be removed or turned away from traffic and the exit and entry openings shall be closed when the flagging operation ceases.
2. Work Zone Exit Openings should be a minimum of one half mile apart.
3. Exiting the work zone at any place other than at a Work Zone Exit Opening will be prohibited.
4. All vehicles shall enter the work zone at entry openings, using their turn signals to warn motorists

ALL DIMENSIONS ARE IN MILLIMETERS (INCHES) UNLESS OTHERWISE SHOWN

REVISIONS	
NAME	DATE
DWS	8/98
JAF	4/03
JAF	2/06

ILLINOIS DEPARTMENT OF TRANSPORTATION
 SIGNING FOR FLAGGING OPERATIONS AT WORK ZONE OPENINGS
 SCALE: NONE
 DATE: 3/1/2006
 DRAWN BY CADD
 CHECKED BY TC-18

PLOT DATE = 3/1/2006
 FILE NAME = K:\dmsm\cab.dgn
 USER NAME = jaf / jn