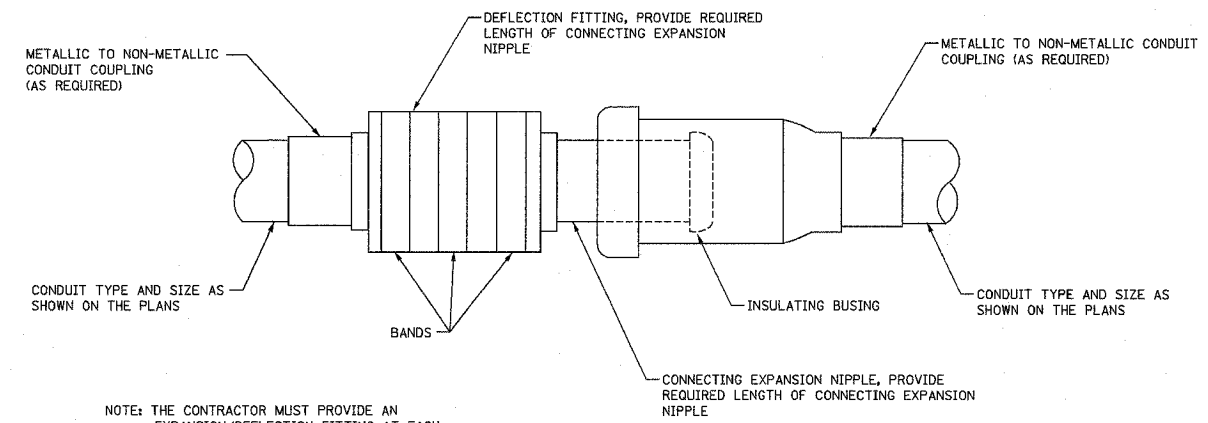
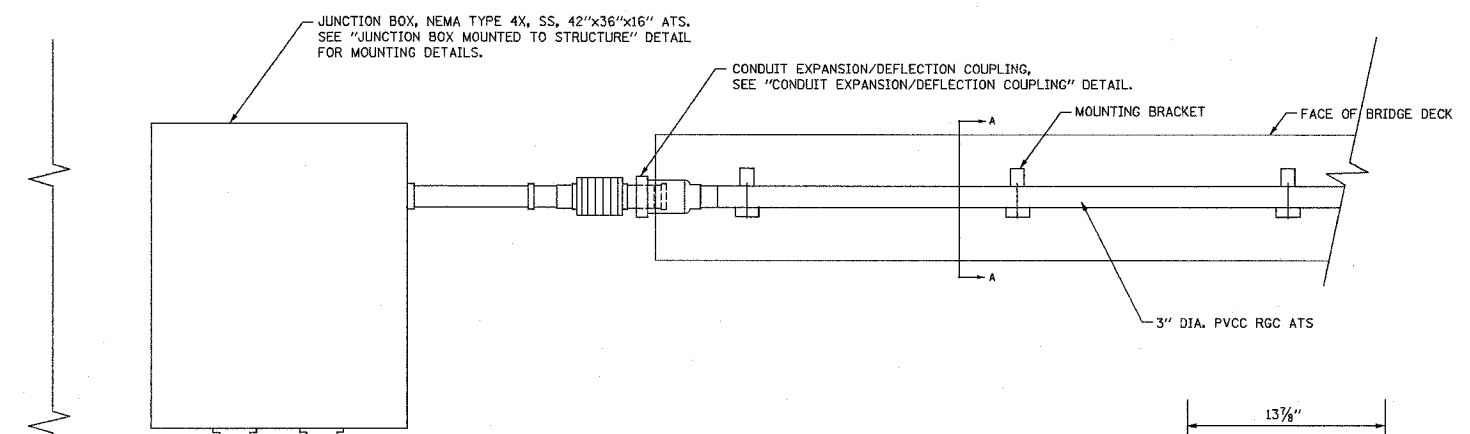
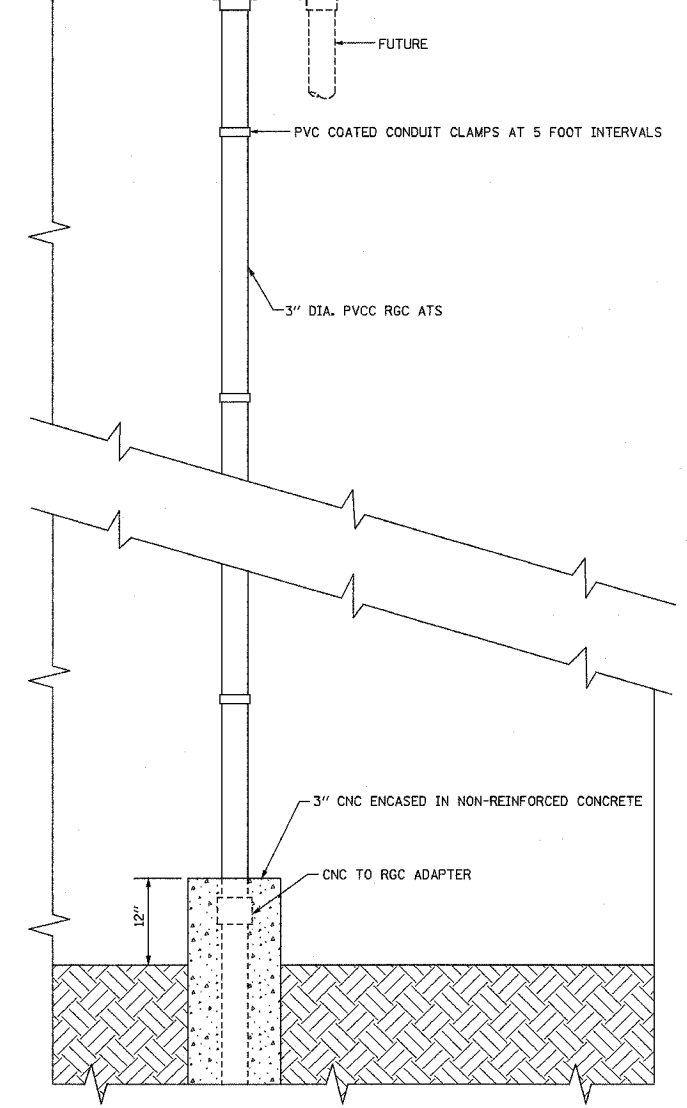


F.A.P. RTE.	SECTION	COUNTY	TOTAL SHEETS	SHEET NO.
577	2006-004TS	COOK/DUPAGE	19	7
STA.	TO STA.			
FED. ROAD DIST. NO.	ILLINOIS	FED. AID PROJECT		
CONTRACT NO. 60B19				

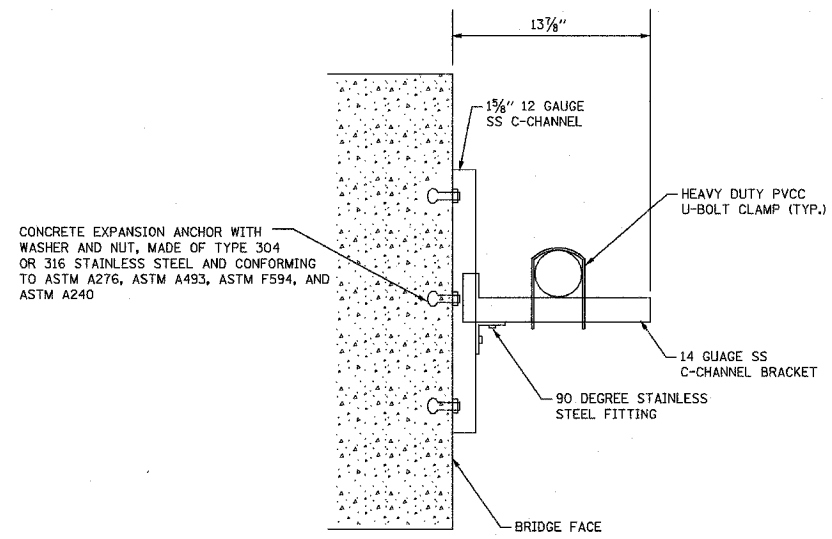


NOTE: THE CONTRACTOR MUST PROVIDE AN EXPANSION/DEFLECTION FITTING AT EACH LOCATION WHERE THE CONDUIT RUN TRAVERSES AN EXPANSION JOINT.

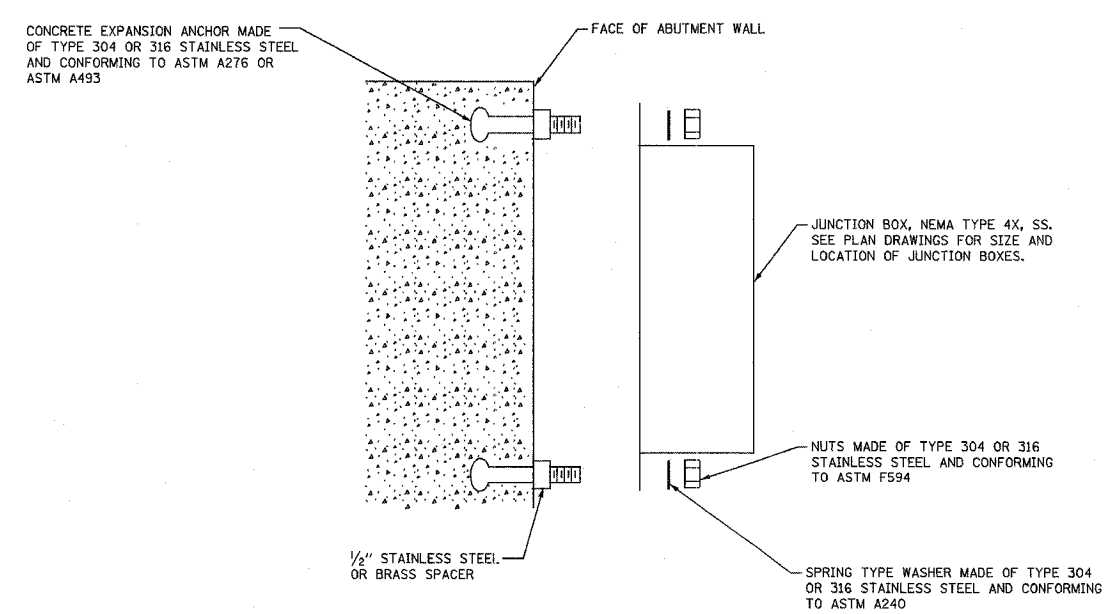
CONDUIT EXPANSION/DEFLECTION COUPLING DETAIL
EXPANSION/DEFLECTION FITTING, O-Z/GEDNEY AX/DX OR APPROVED EQUAL (NOT TO SCALE)



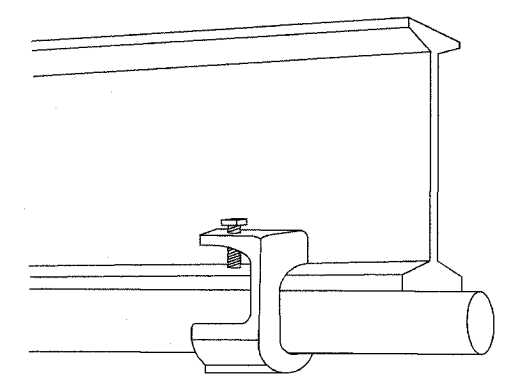
OVERPASS CONDUIT INSTALLATION DETAIL
(NOT TO SCALE)



MOUNTING BRACKET DETAIL A-A
(NOT TO SCALE)



JUNCTION BOX MOUNTED TO STRUCTURE
(NOT TO SCALE)



RIGID METAL CONDUIT ATTACHED TO STRUCTURE
(NOT TO SCALE)

SETON ENGINEERING
SERVICE CORPORATION
CIVIL ENGINEERS
19 S. BOTHWELL STREET
PALATINE, ILLINOIS 60067
VOICE: 847-776-7200 FAX: 847-776-7239

REVISIONS	
NAME	DATE
VO	8/11/06

ILLINOIS DEPARTMENT OF TRANSPORTATION
CONDUIT EXPANSION/DEFLECTION FITTING AND CONDUIT INSTALLATION DETAILS

SCALE: N.T.S.
DATE: 08-15-06

DRAWN BY: CWC
DESIGNED BY: VO
CHECKED BY: TJM