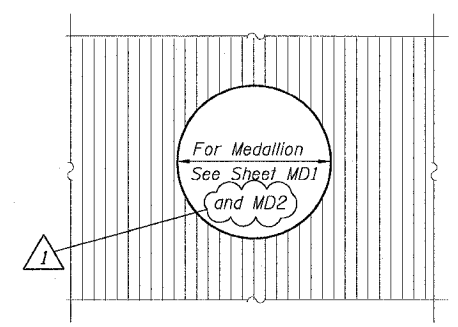
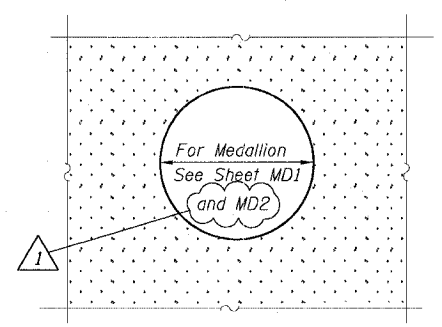


F.A.I. RTE.	SECTION	COUNTY	TOTAL SHEETS	SHEET NO.
90/94	2006-040 I	COOK	46	16
STA.	TO STA.			
FED. ROAD DIST. NO. 1	ILLINOIS	FED. AID PROJECT		

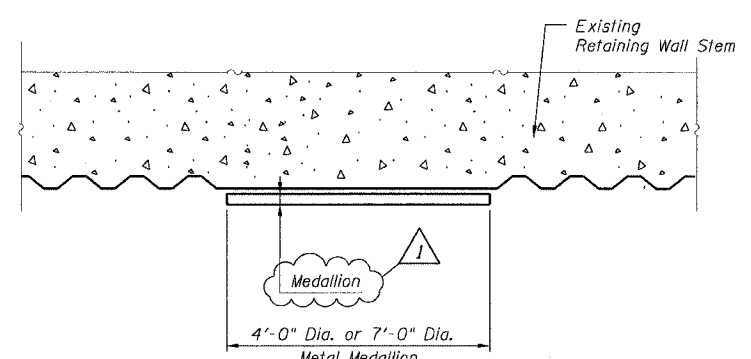
60C02



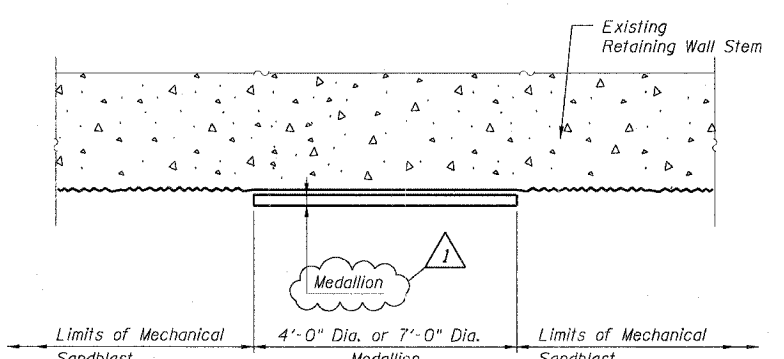
MEDALLION WITH RUSTICATION



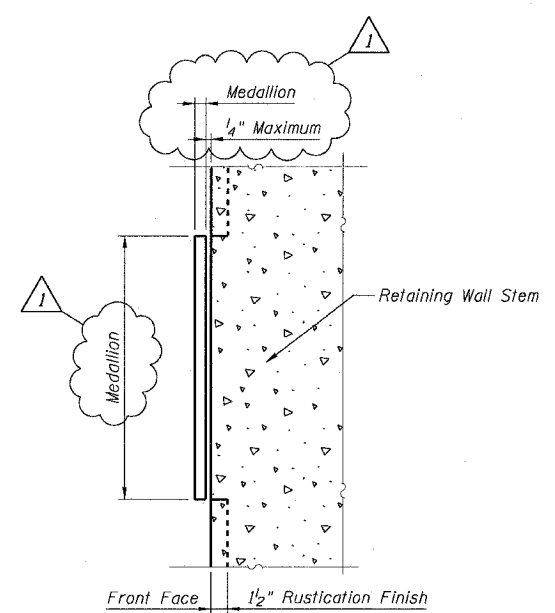
MEDALLION WITH MECHANICAL SANDBLAST



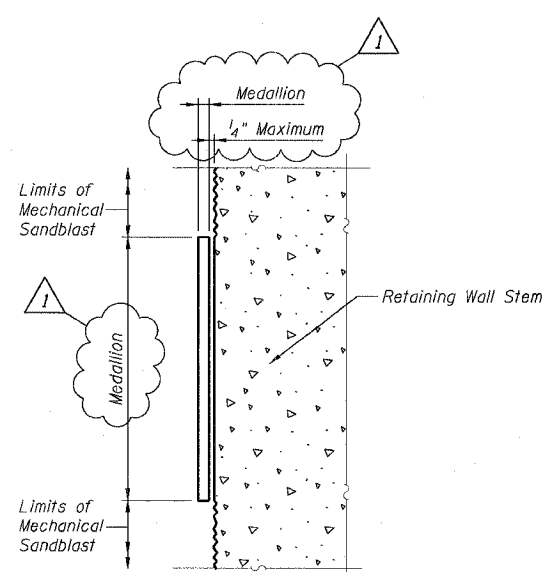
HORIZONTAL SECTION THROUGH MEDALLION SURFACE WITH RUSTICATION



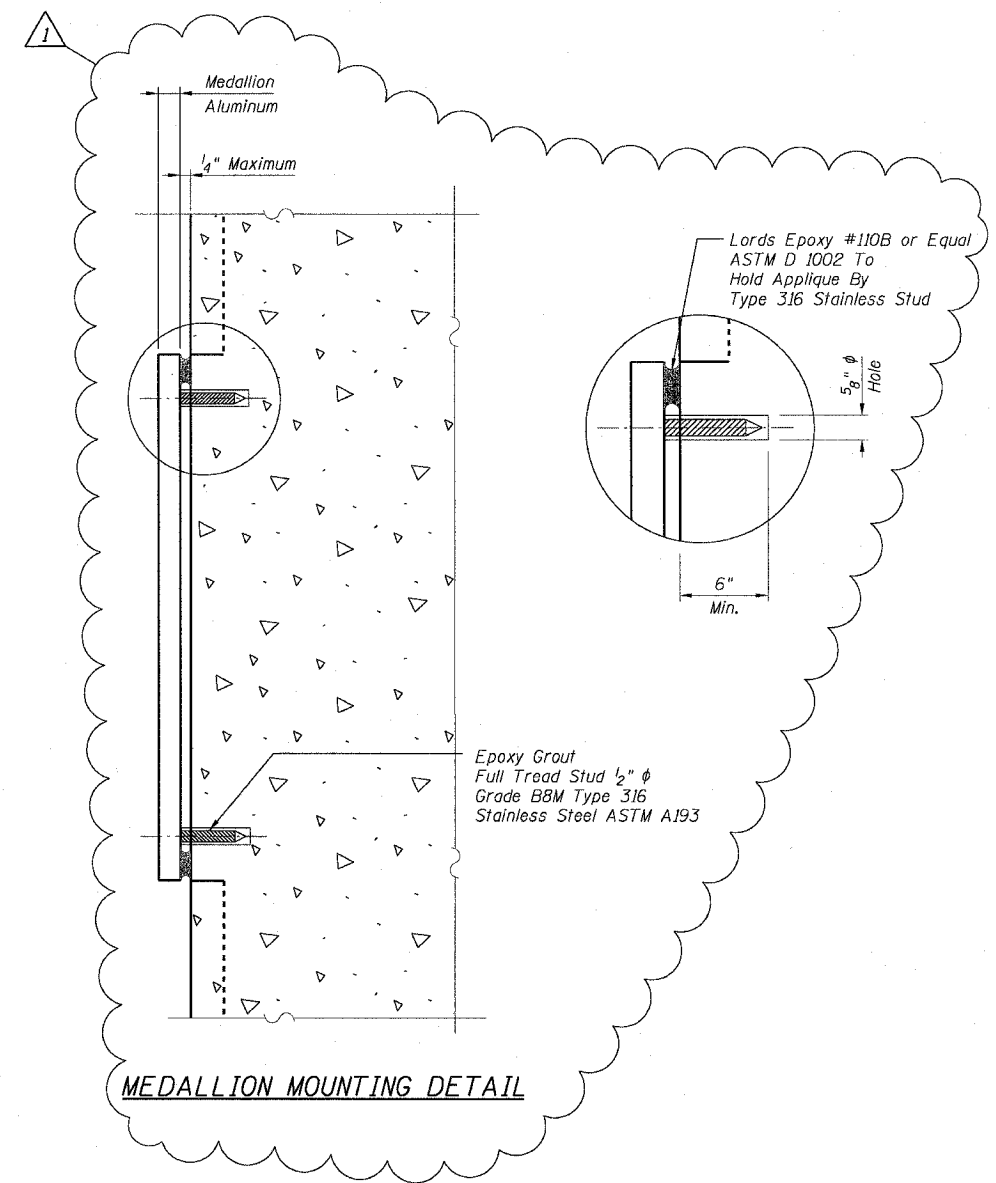
HORIZONTAL SECTION THROUGH MEDALLION SURFACE WITH MECHANICAL SANDBLAST



TYPICAL VERTICAL SECTION THRU MEDALLION



TYPICAL VERTICAL SECTION THRU MEDALLION



MEDALLION MOUNTING DETAIL

CTE | AECOM

REVISIONS	
NAME	DATE
ADDENDUM NO. 1	02/23/07

ILLINOIS DEPARTMENT OF TRANSPORTATION
 F.A.I. 90/94 (DAN RYAN EXPRESSWAY)
 MEDALLION CONTRACT
 (59TH STREET TO 51ST STREET)
 MOUNTING DETAIL

SCALE: None
 DATE: OCTOBER 23, 2006

DRAWN BY: RJ
 CHECKED BY: RDP

SHEET MD4 of 4

2/22/2007 4:32:01 PM