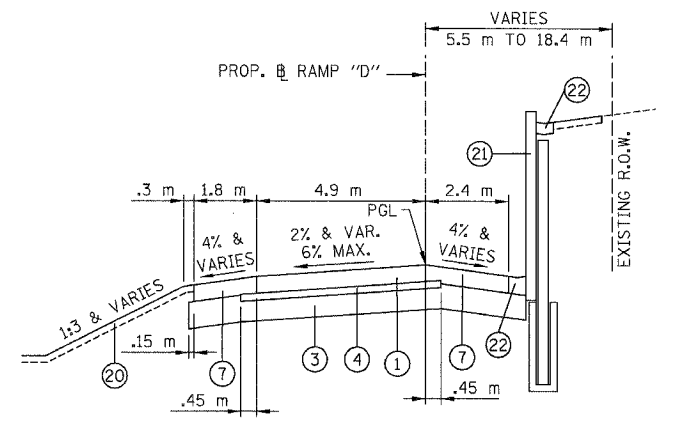
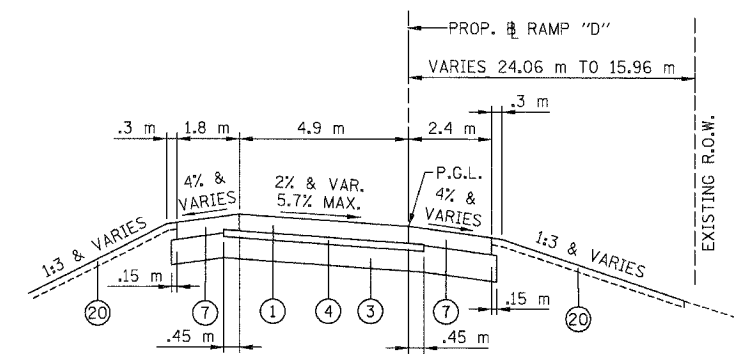


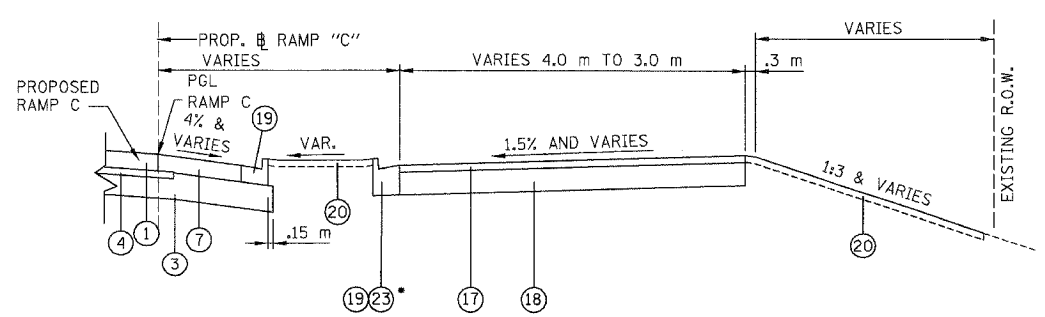
F.A.P. RTE.	SECTION	COUNTY	TOTAL SHEETS	SHEET NO.
343		COOK	283	21
STA. 9+713.000		TO STA. 10+151.000		
FED. ROAD DIST. NO. 1		ILLINOIS FED. AID PROJECT		
• 70D-Y-B-R & 70HB-R-1		62897		



PROPOSED TYPICAL CROSS-SECTION
RAMP "D"
STA. 0+072 TO STA. 0+179



PROPOSED TYPICAL CROSS-SECTION
RAMP "D"
STA. 0+000 TO STA. 0+072
STA. 0+179 TO STA. 0+308



PROPOSED TYPICAL CROSS-SECTION
ACCESS DRIVE

• SEE PLANS FOR LOCATION

NOTE:

THE FOLLOWING KEY ITEMS IN THE LEGEND ARE INTERPRETED AS FOLLOWS:

- ④ STABILIZED SUBBASE-HOT-MIX ASPHALT, 115 mm
- ⑤ NOT USED
- ⑦ HOT-MIX ASPHALT SURFACE COUSE, MIX "D", N70
- ⑧ HOT-MIX ASPHALT BASE COURSE, 200 mm

LEGEND:

- ① PORTLAND CEMENT CONCRETE PAVEMENT, 260 mm (JOINTED)
- ② NOT USED
- ③ AGGREGATE SUBGRADE 300 mm
- ④ STABILIZED SUB-BASE 115 mm
- ⑤ NOT USED
- ⑥ NOT USED
- ⑦ PCC SHOULDER, 260 mm
- ⑧ CONCRETE MEDIAN, TYPE SB-15.30 (MODIFIED), (SEE BRIDGE PLANS AND STD. 606301)
- ⑨ CORRUGATED PC CONCRETE MEDIAN (STD 606306)
- ⑩ #6 TIE BARS, 600mm LONG @ 600mm O.C. INCIDENTAL TO P.C.C. PAVEMENT (JOINTED)
- ⑪ LONGITUDINAL CONSTRUCTION JOINT GROUTED-IN-PLACE TIE BAR NO. 8x500mm LONG DEFORMED TIE BARS (EPOXY COATED) @ 600mm O.C. (STANDARD 420001) INCLUDED IN THE COST OF PAVEMENT.
- ⑫ LONGITUDINAL SAWED JOINT NO. 6x750mm LONG DEFORMED TIE BAR (EPOXY COATED) @ 750mm O.C. (STD. 420001 INCLUDED IN THE COST OF PAVEMENT)
- ⑬ AT THE CONTRACTORS OPTION A LONGITUDINAL SAWED JOINT ⑫ MAY BE USED
- ⑭ P.C.C. CONCRETE DECK 195 mm (SEE BRIDGE PLANS)
- ⑮ CONCRETE MEDIAN, TYPE SB-15.45 (MODIFIED), (SEE BRIDGE PLANS AND STD.606301)
- ⑯ CONCRETE PARAPET "F" SHAPE (SEE BRIDGE PLANS)
- ⑰ BITUMINOUS CONCRETE SURFACE, SUPERPAVE, MIX "D", N70.
- ⑱ BITUMINOUS BASE COURSE, SUPERPAVE 200 mm
- ⑲ COMBINATION CONCRETE CURB AND GUTTER, TYPE B-15.60
- ⑳ TOPSOIL FURNISH AND PLACE, 100 mm. SODDING, SALT TOLERANT OR SEEDING (SEE LANDSCAPING PLANS)
- ㉑ RETAINING WALL (SEE STRUCTURAL PLANS)
- ㉒ TYPE B GUTTER
- ㉓ COMBINATION CONCRETE CURB AND GUTTER, TYPE B-15.30
- ㉔ LANDSCAPED MEDIAN (SEE PLANS FOR DETAILS)

BOXED ITEMS ARE INCIDENTAL TO OTHER PAY ITEMS.

REVISIONS		ILLINOIS DEPARTMENT OF TRANSPORTATION ILLINOIS ROUTE 68
NAME	DATE	
		PROPOSED TYPICAL SECTIONS RAMPS AND ACCESS ROAD SCALE NTS DATE OCTOBER, 2006

REV. 2-15-07

DRAWN BY GRH
CHECKED BY PK