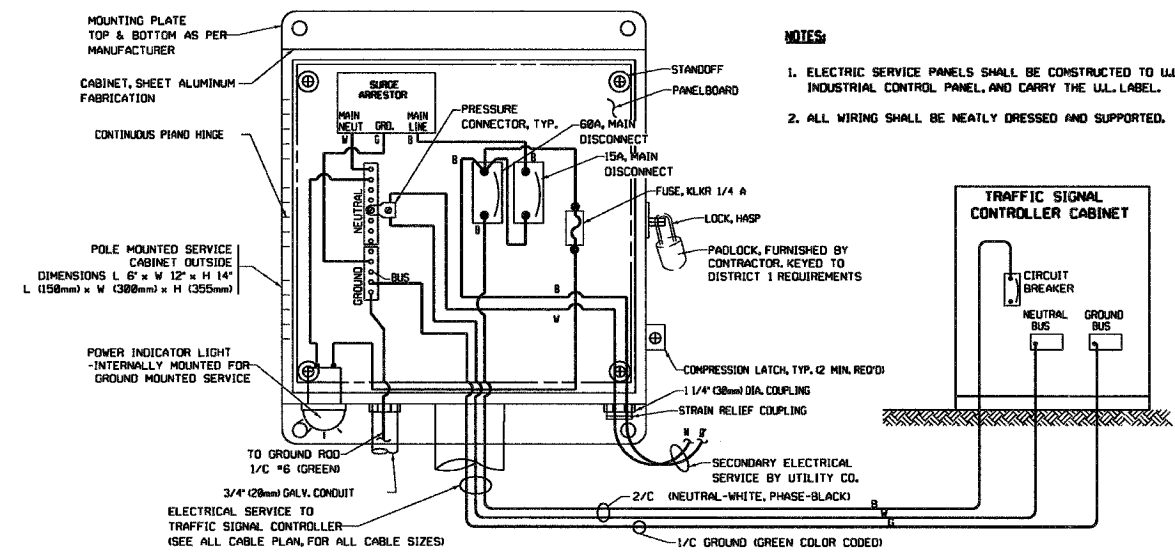
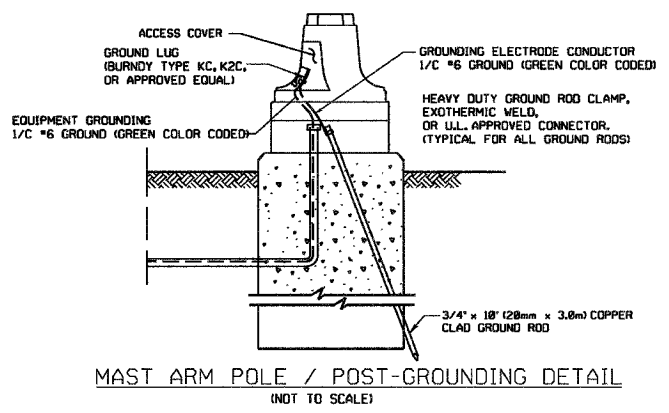
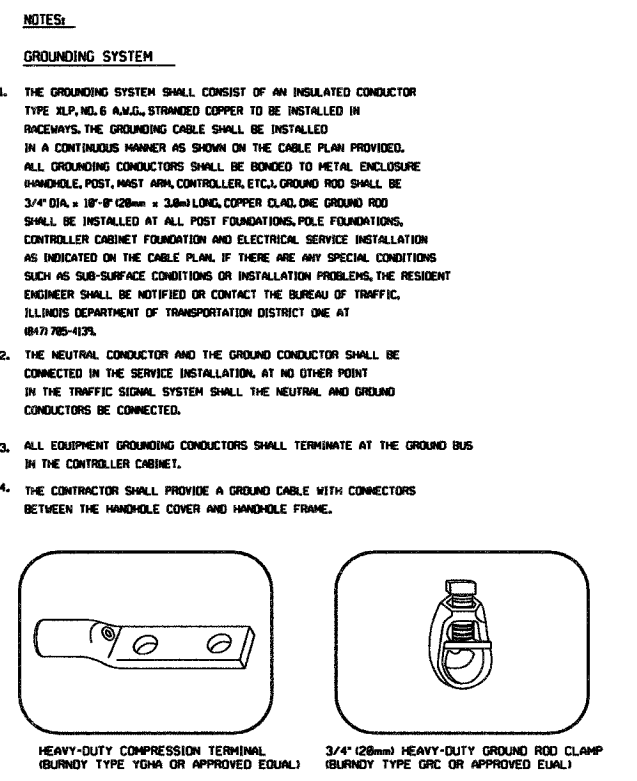
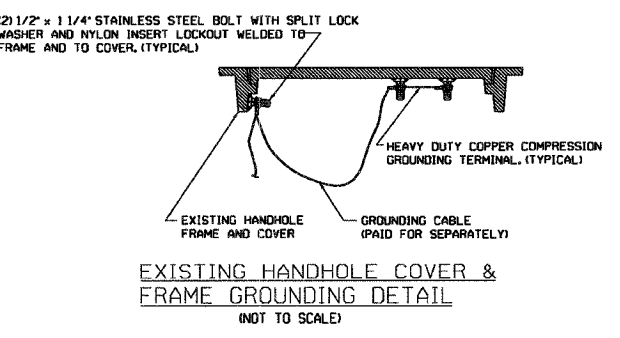
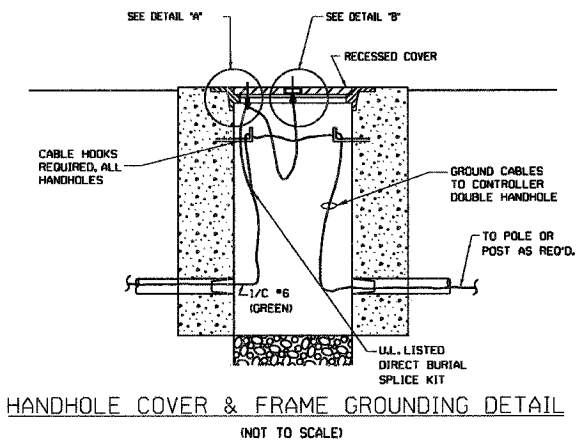
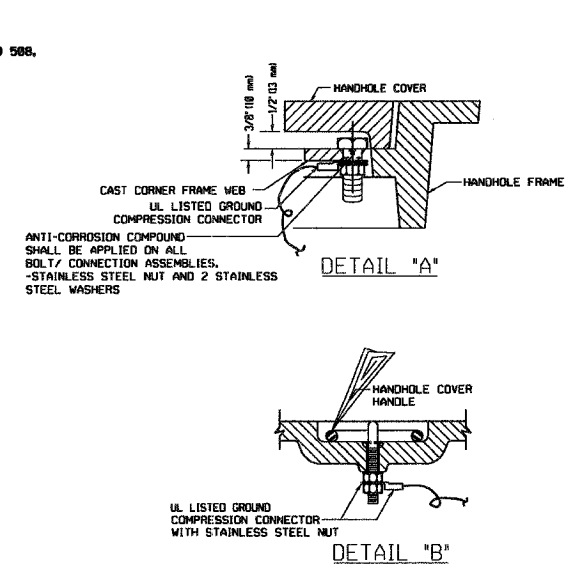
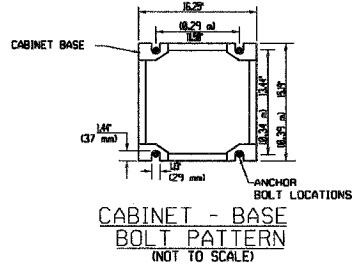
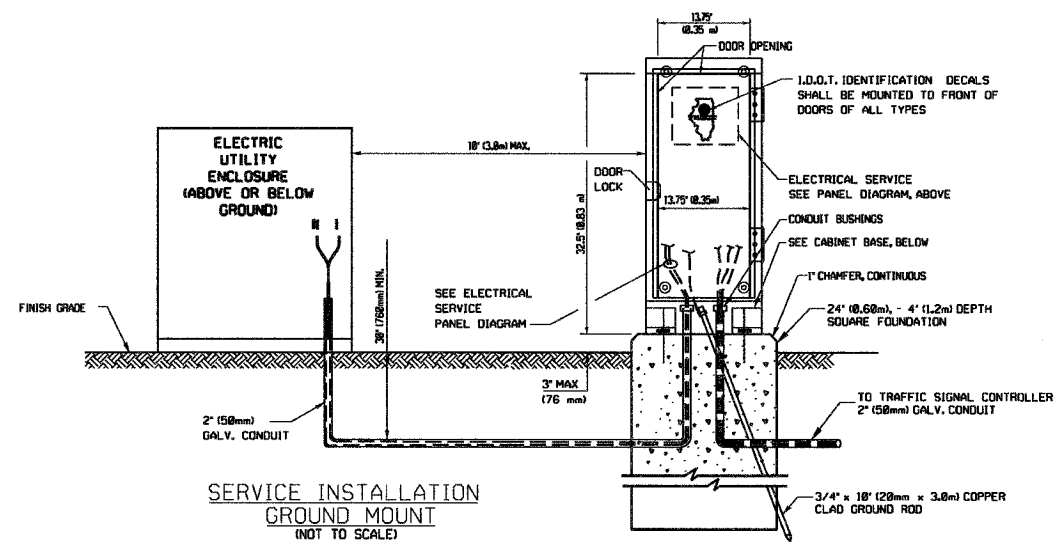


F.A.P. RTE.	SECTION	COUNTY	TOTAL SHEETS	SHEET NO.
343	*	COOK	283	116
STA.		TO STA.		
FED. ROAD DIST. NO. 1		ILLINOIS FED. AID PROJECT		
* 70D-Y-R & 70HB-R-1		62897		



**ELECTRICAL SERVICE - PANEL DIAGRAM**  
**SERVICE INSTALLATION POLE MOUNT**  
 (NOT TO SCALE)  
 (TYPICAL FOR POLE AND GROUND MOUNTED SERVICE)  
 (SHOWN)



REV 2-15-07

TS-04 OF 13

REVISIONS		ILLINOIS DEPARTMENT OF TRANSPORTATION
NAME	DATE	
		DISTRICT 1 STANDARD TRAFFIC SIGNAL DESIGN DETAILS  SCALE NONE DATE 1-01-02  DRAWN BY RWP DESIGNED BY DAD CHECKED BY DAZ SHEET 3 OF 4

Rick Johns - District 01  
 IDOT - District 01  
 601 S. 10th St.  
 Springfield, IL 62760  
 2/15/2007 11:33:45 AM