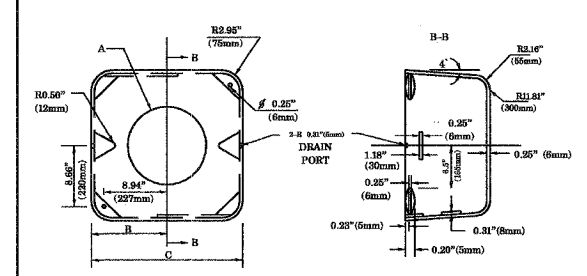
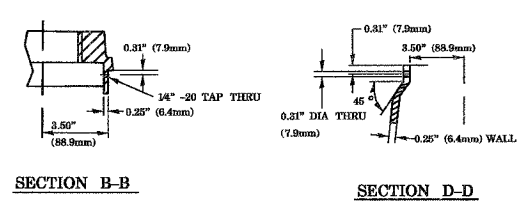
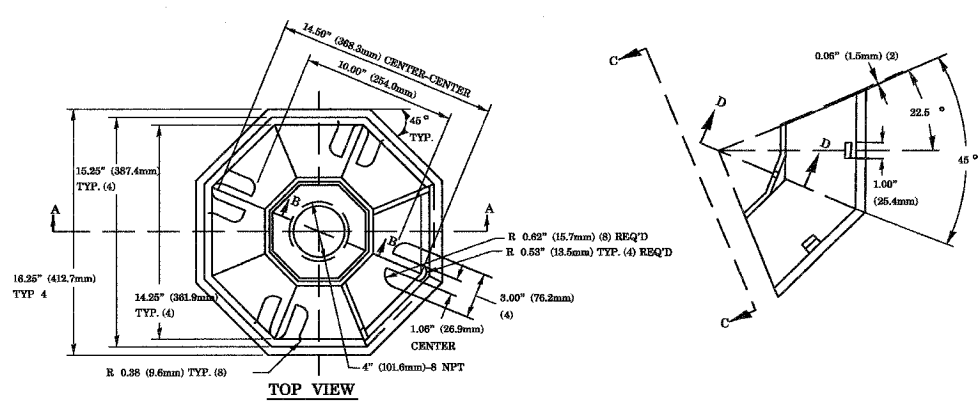
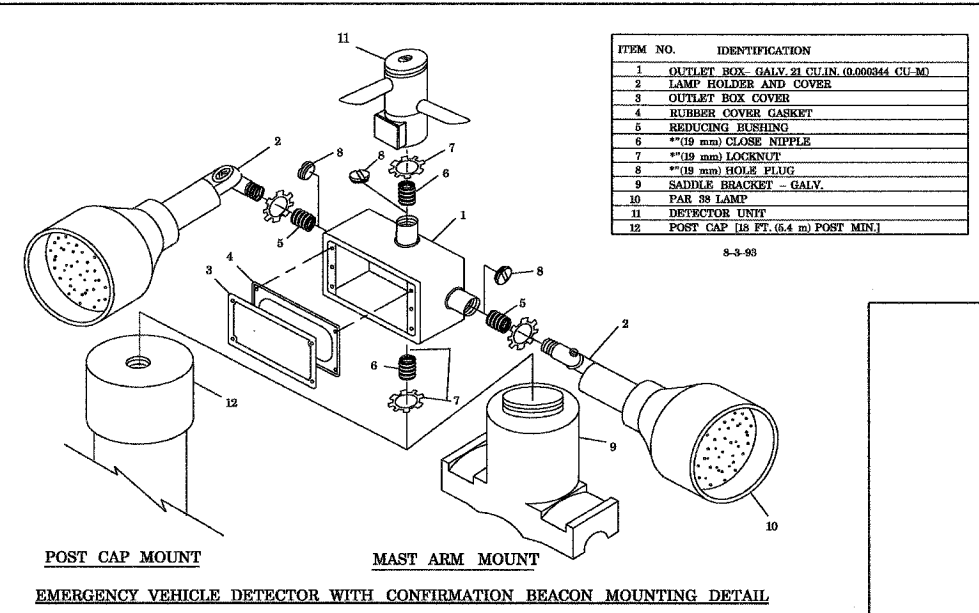
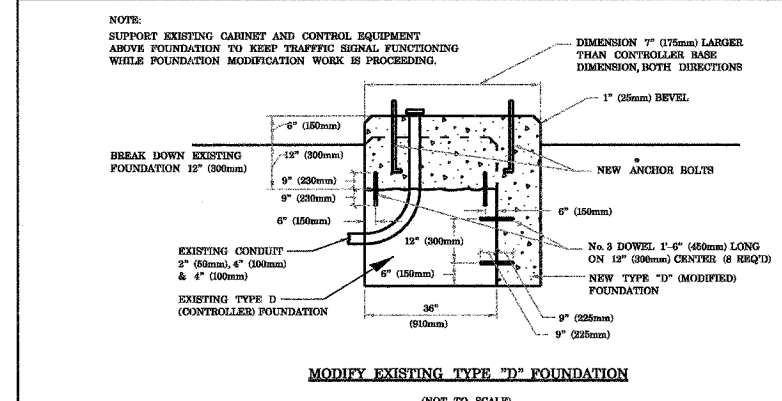
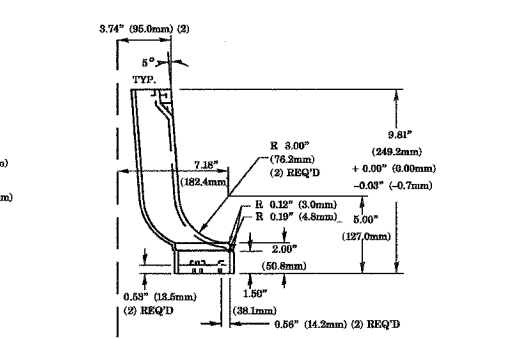
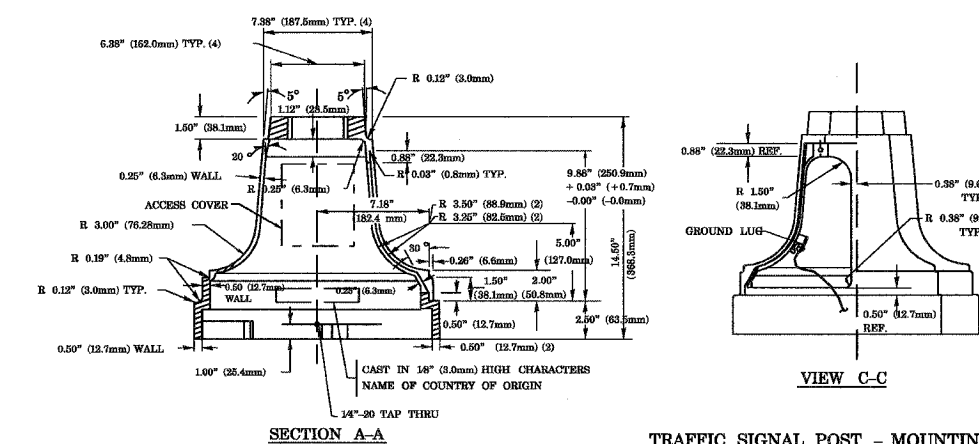


F.A.P. RTE.	SECTION	COUNTY	TOTAL SHEETS	SHEET NO.
343	#	COOK	283	117
STA.		TO STA.		
FED. ROAD DIST. NO. 1		ILLINOIS FED. AID PROJECT		
# 70D-Y-R & 70HB-R-1		62897		

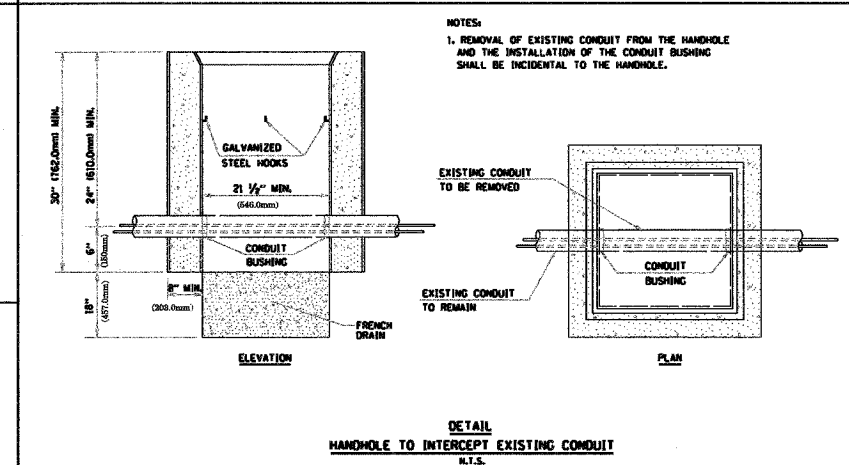
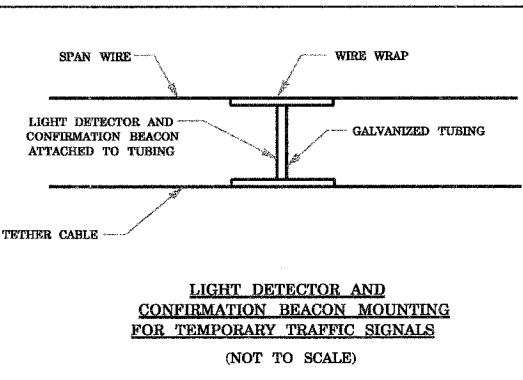


TYPE	A	B	C	HEIGHT	WEIGHT
I	# 10.125\"/>				



ITEM NO.	IDENTIFICATION
1	OUTLET BOX - GALV. 21 CULIN. (0.006844 CU-M)
2	LAMP HOLDER AND COVER
3	OUTLET BOX COVER
4	RUBBER COVER GASKET
5	REDUCING BUSHING
6	1/2\"/>
7	1/2\"/>
8	1/2\"/>
9	SADDLE BRACKET - GALV.
10	PAR 38 LAMP
11	DETECTOR UNIT
12	POST CAP [18 FT. (6.4 m) POST MIN.]

- NOTES:**
- ALL ELECTRICAL ITEMS, EXCEPT ITEMS #2 AND #11 SHALL BE ALUMINUM OR GALVANIZED
 - ITEM #1 - OZGEDNEY FEX-1-50 OR EQUIVALENT
ITEM #2 - MULBERRY CON-O-SHADE LAMP SHIELD OR EQUIVALENT
ITEM #9 - "HAND-IT" SADDLE BRACKET OR EQUIVALENT
 - WHEN POST MOUNTING IS SPECIFIED, ITEM #9 SHALL NOT BE REQUIRED. THE DETECTOR UNIT SHALL BE MOUNTED DIRECTLY ON TOP OF THE CAP BY DRILLING AND TAPPING A 1/2\"/>



REV 2-15-07

TS-05 OF 13

REVISIONS		ILLINOIS DEPARTMENT OF TRANSPORTATION
NAME	DATE	
		DISTRICT 1 STANDARD TRAFFIC SIGNAL DESIGN DETAILS SCALE NONE DATE 1-01-02 DRAWN BY RWP DESIGNED BY DAD CHECKED BY DAZ SHEET 4 OF 4

Rick Johns - District 01
 IDOT - District 01
 2/15/2007 11:34:24 AM
 10000 W / M.