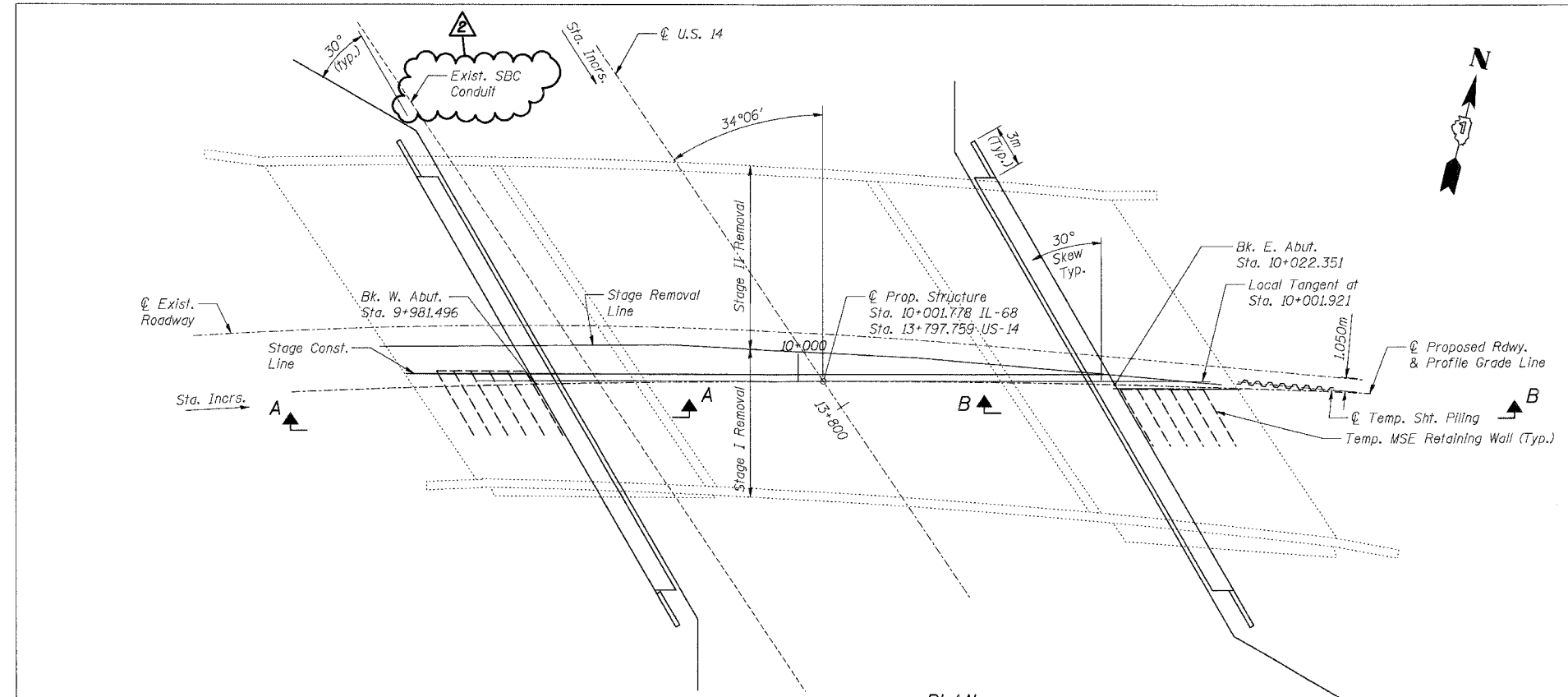


F.A.P. RTE.	SECTION	COUNTY	TOTAL SHEETS	SHEET NO.
343	70HB-R-1	COOK	283	189
STA.	TO STA.			
FED. ROAD DIST. NO.	ILLINOIS	FED. AID PROJECT		
CONTRACT NO. 62897				

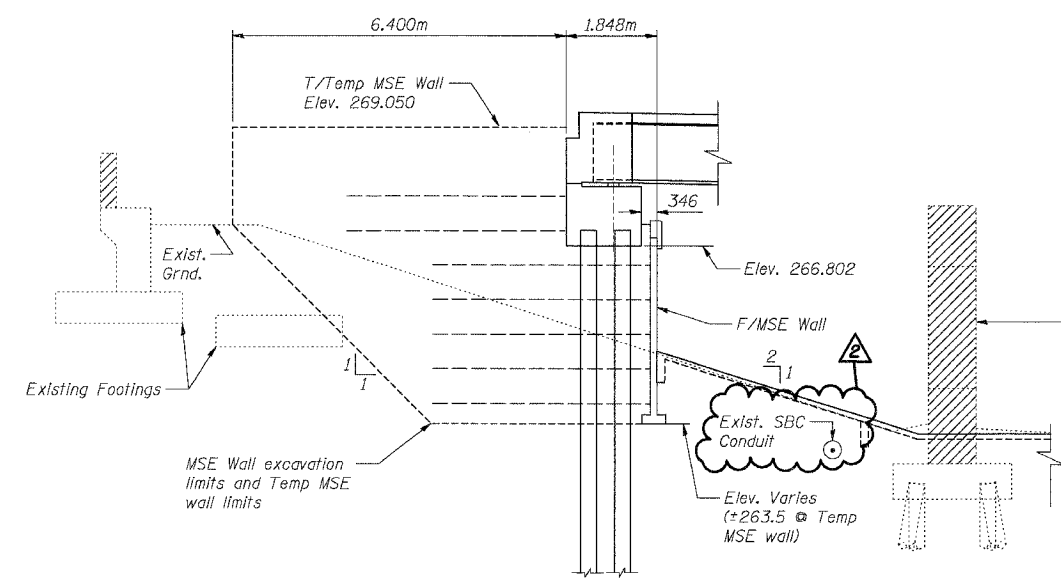


BILL OF MATERIAL

Item	Unit	Total
Temporary Sheet Piling	SQ M	11.9
Temporary Mechanically Stabilized Earth Retaining Wall	SQ M	61.0

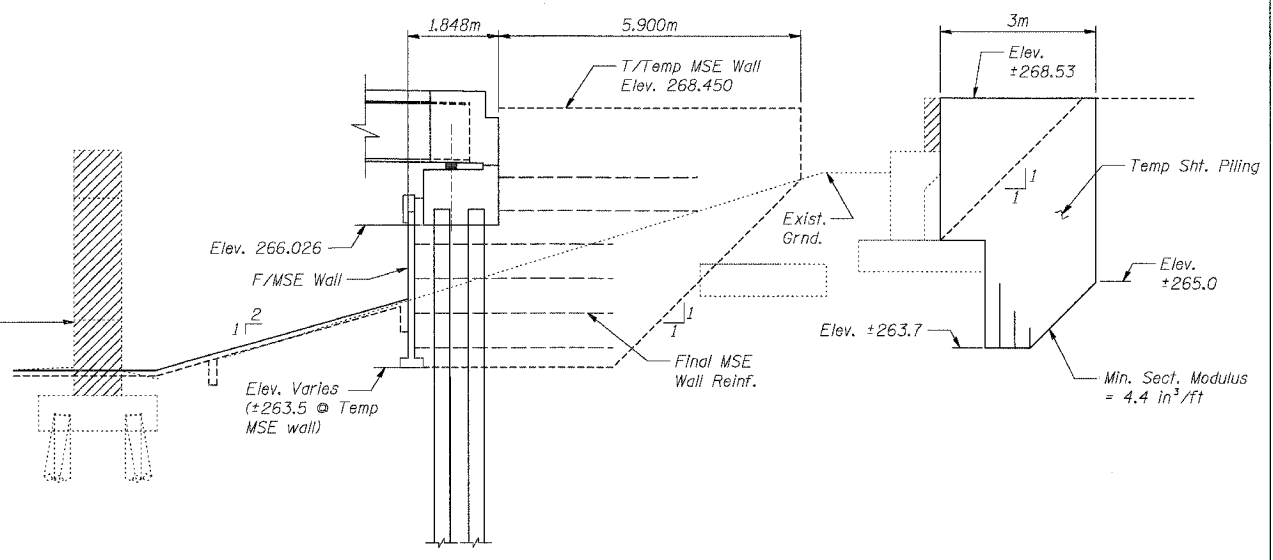
NOTE:

- If the Contractor chooses to alter the temporary cantilevered sheet piling design requirements shown on the plans, a design submittal including plan details and calculations will be required for review and acceptance by the Engineer.
- See roadway drawings for roadway soil retainage requirements.



SECTION A-A
Distances shown along alignment of sheeting

LEGEND
 Structure Removal



SECTION B-B

Distances shown along alignment of sheeting

Addendum #2 2/15/07



REVISIONS	
NAME	DATE

SHT. S-04 OF S-27

ILLINOIS DEPARTMENT OF TRANSPORTATION
 IL ROUTE 68 OVER US ROUTE 14
 F.A.P. ROUTE 343 SECTION 70HB-R-1
 COOK COUNTY STATION 10+001.778
 STRUCTURE NO. 016-2861
 TEMPORARY SHEET PILING
 AND MSE WALL
 DESIGNED: BTO DRAWN: BTO
 DATE: 02/07 CHECKED: JAN CHECKED: JAN