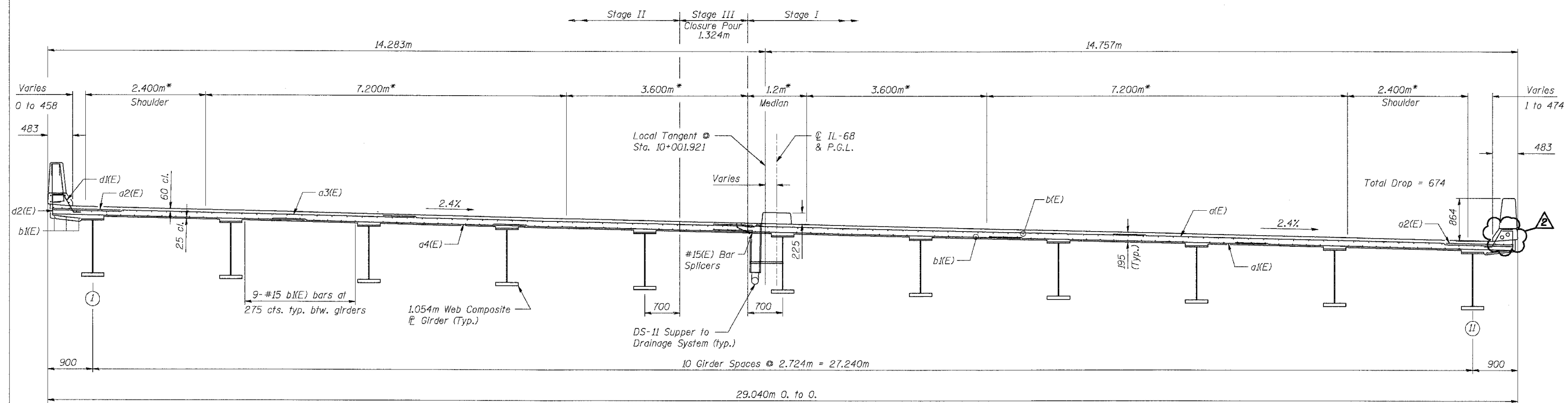
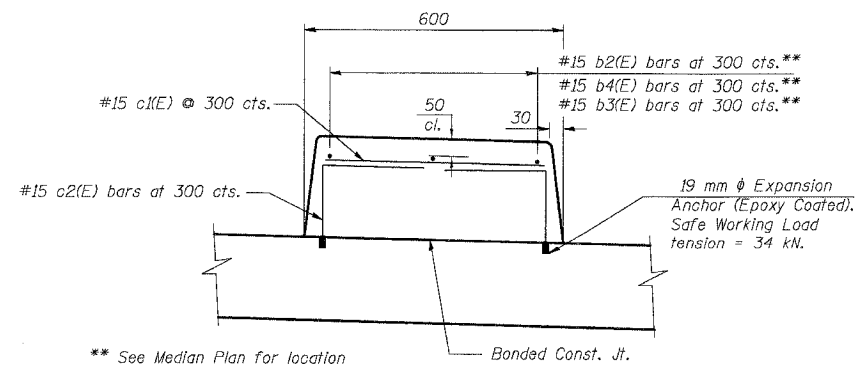


F.A.P. RTE.	SECTION	COUNTY	TOTAL SHEETS	SHEET NO.
343	70HB-R-1	COOK	283	196
STA.	TO STA.			
FED. ROAD DIST. NO.	ILLINOIS	FED. AID PROJECT		
CONTRACT NO. 62897				



DECK CROSS SECTION
(Looking East)

* Radial Dimensions



** See Median Plan for location

SUPERIMPOSED MEDIAN

NOTES:

1. Reinforcement bars designated (E) shall be epoxy coated.
2. See Sht. S-12 of S-27 for superstructure details.
3. See Sht. S-13 of S-27 for parapet reinforcement and bill of material.

SHT. S-11 OF S-27

REVISIONS	
NAME	DATE

ILLINOIS DEPARTMENT OF TRANSPORTATION
IL ROUTE 68 OVER US ROUTE 14
F.A.P. ROUTE 343 SECTION 70HB-R-1
COOK COUNTY STATION 10+001.778
STRUCTURE NO. 016-2861

DECK CROSS SECTION

DESIGNED: BTO DRAWN: BTO
DATE: 02/07 CHECKED: JAN CHECKED: JAN

