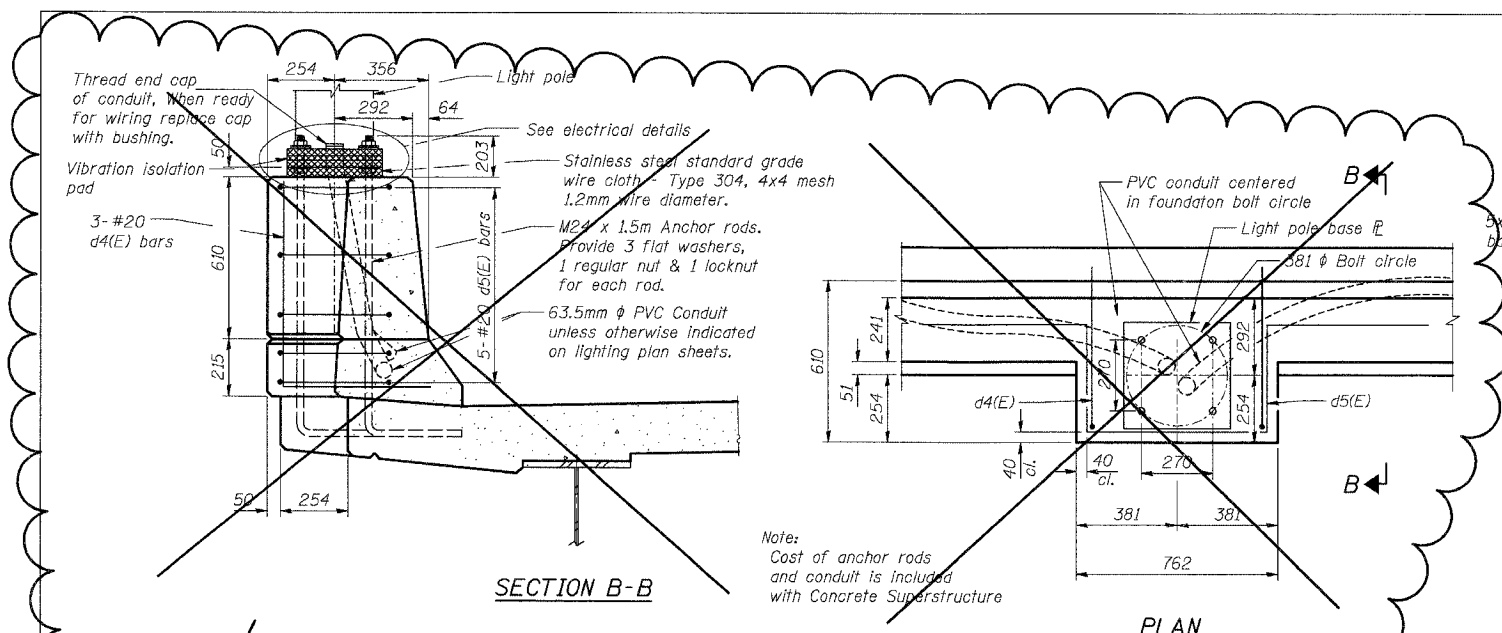
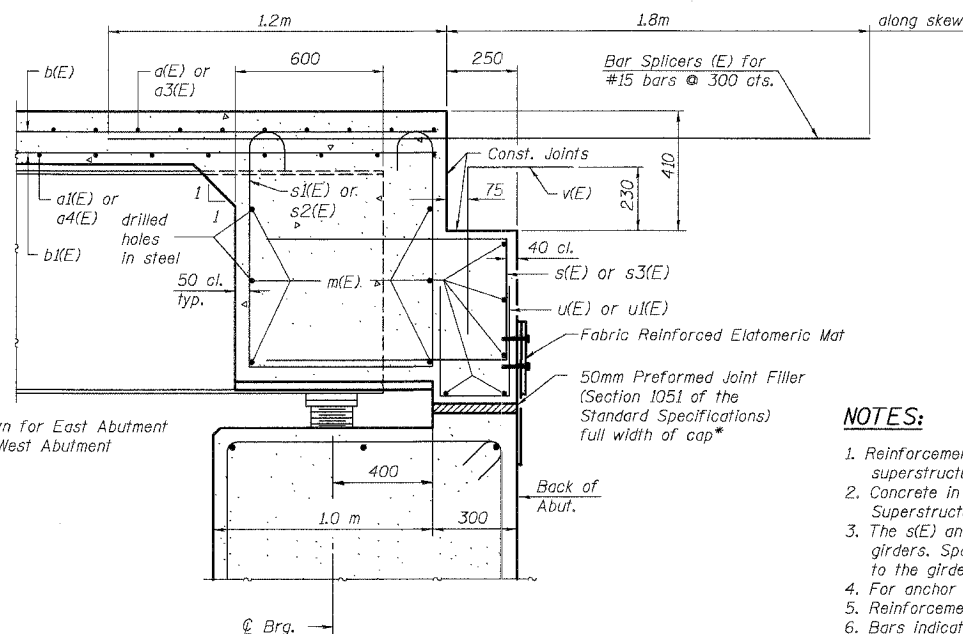
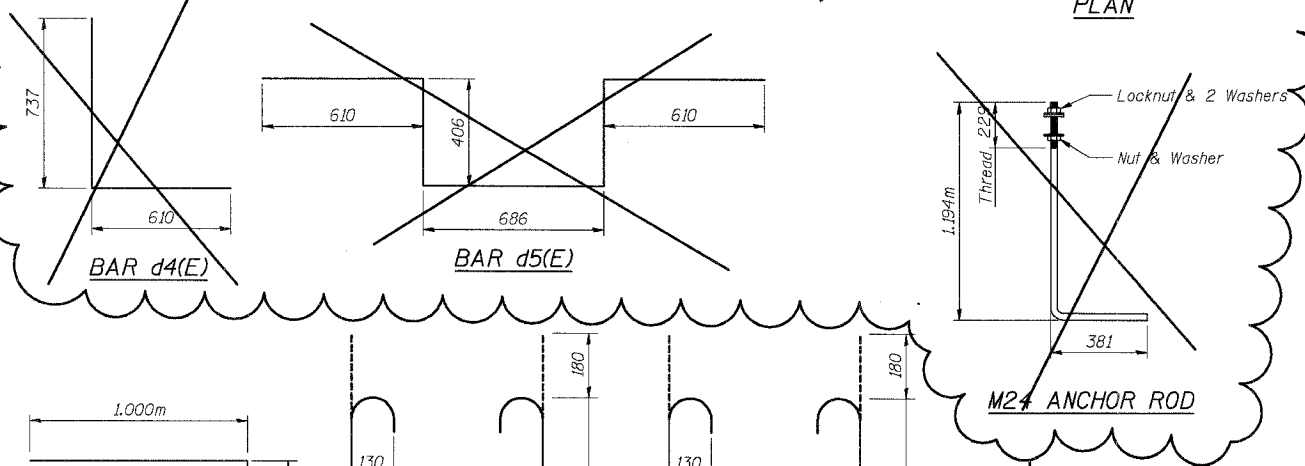
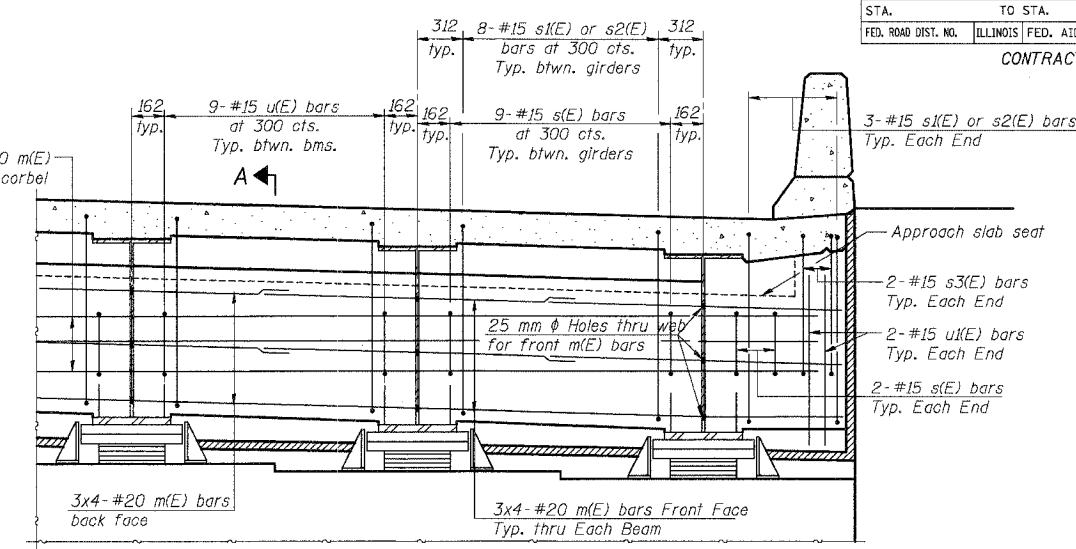


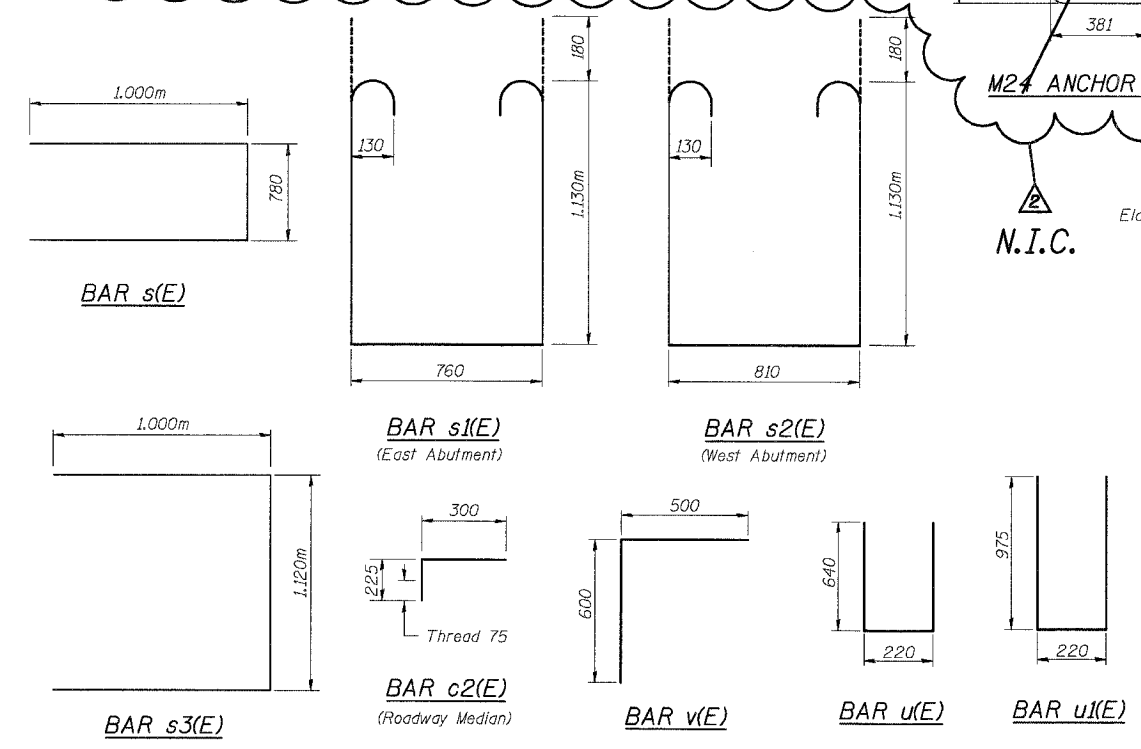
F.A.P. RTE.	SECTION	COUNTY	TOTAL SHEETS	SHEET NO.
343	70HB-R-1	COOK	283	197
STA.		TO STA.		
FED. ROAD DIST. NO.		ILLINOIS FED. AID PROJECT		
CONTRACT NO. 62897				



Note:
Cost of anchor rods and conduit is included with Concrete Superstructure



- NOTES:**
1. Reinforcement bars in diaphragm are billed with superstructure on sheet S-13 of S-27.
 2. Concrete in diaphragm is included with Concrete Superstructure on sheet of S-13 of S-27.
 3. The s(E) and s1(E) bars shall be placed parallel to the girders. Spacing for these bars shall be at right angles to the girders.
 4. For anchor bolt details see sheet of S-19 of S-27.
 5. Reinforcement bars designated (E) shall be epoxy coated.
 6. Bars indicated thus 5x4 - #20 etc. Indicates 5 lines of bars with 4 lengths per line.



SECTION A-A
Dimensions at right angles to abutment, except as shown.
* Cost included with Concrete Superstructure.

MIN. BAR LAP
#20 bar = 790
SHT. S-12 OF S-27

REVISIONS	
NAME	DATE

ILLINOIS DEPARTMENT OF TRANSPORTATION
IL ROUTE 68 OVER US ROUTE 14
F.A.P. ROUTE 343 SECTION 70HB-R-1
COOK COUNTY STATION 10+001.778
STRUCTURE NO. 016-2861
SUPERSTRUCTURE DETAILS
DESIGNED: BTO
DRAWN: BTO
DATE: 02/07
CHECKED: JAN
CHECKED: JAN

Addendum #2 2/15/07

STV Incorporated
Structural/Architectural/Construction Managers
200 W. Monroe Street, Suite 1650
Chicago, IL 60604-0015
312/453-0655, FAX 312/553-0661

I:\Projects\15261\addendum 2\15/07\07 3 11 28 PM