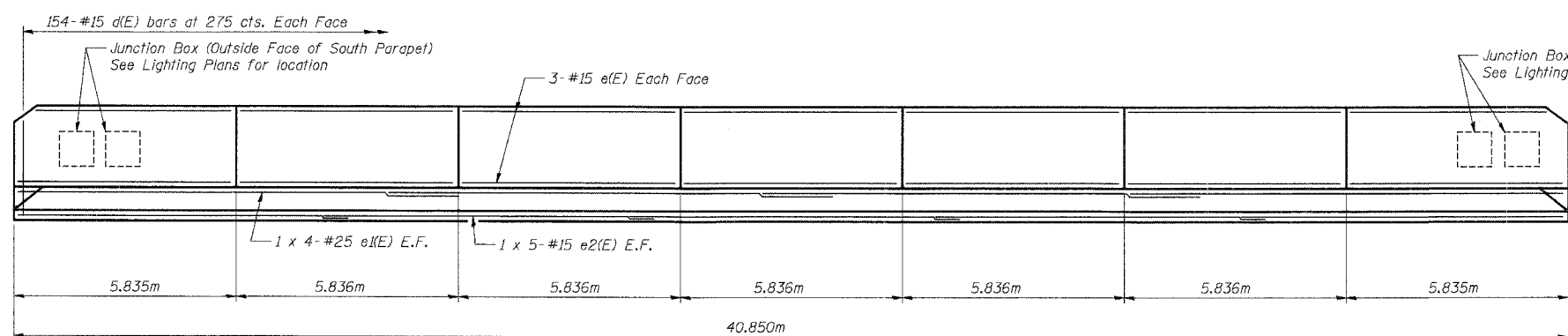
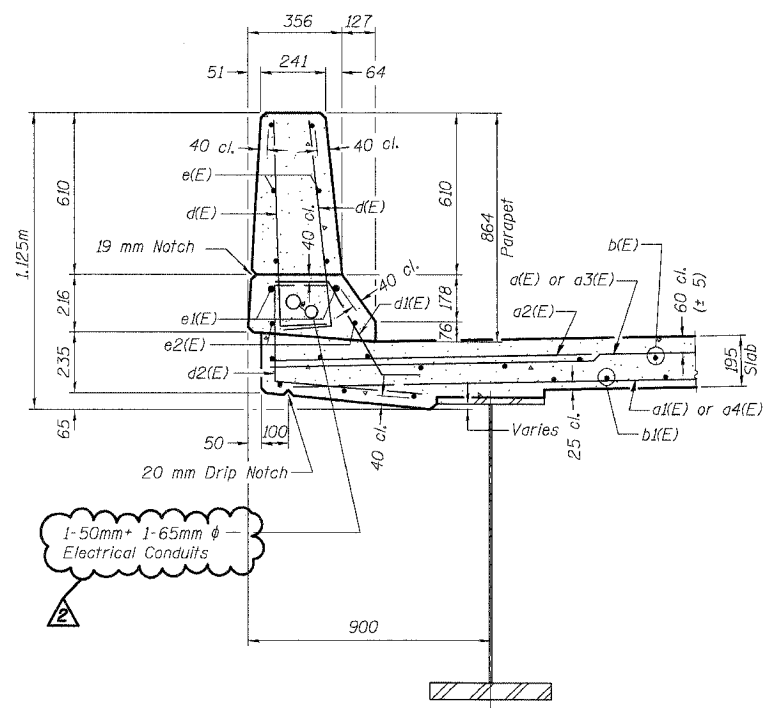


F.A.P. RTE.	SECTION	COUNTY	TOTAL SHEETS	SHEET NO.
343	70HB-R-1	COOK	283	198
STA.	TO STA.			
FED. ROAD DIST. NO.	ILLINOIS	FED. AID PROJECT		

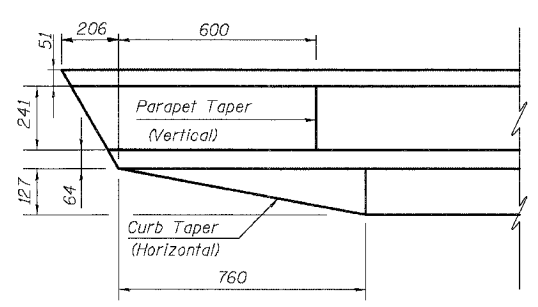
CONTRACT NO. 62897



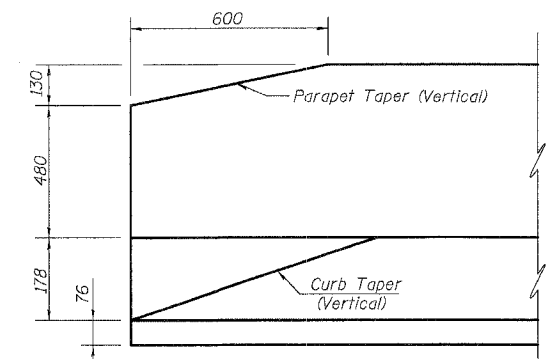
INSIDE ELEVATION OF PARAPET



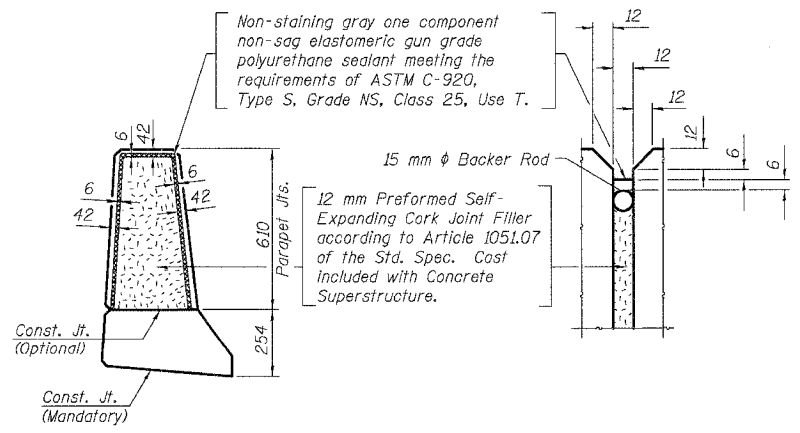
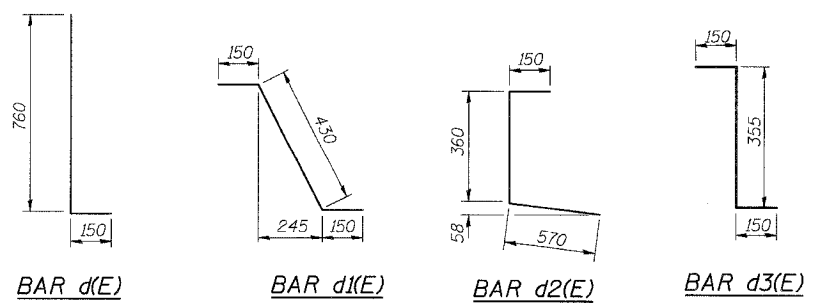
SECTION THRU PARAPET



END PLAN - APPROACH
(West End Shown, East End Similar)



END ELEVATION (Along I.F. Parapet)



PARAPET JOINT DETAILS

SUPERSTRUCTURE
BILL OF MATERIAL

Bar	No.	Size	Length (m)	Shape
a(E)	620	15	7.880	—
a1(E)	636	15	5.470	—
a2(E)	310	20	1.400	—
a3(E)	620	15	7.155	—
a4(E)	636	15	4.990	—
a5(E)	24	15	0.450	—
b(E)	396	15	10.540	—
b1(E)	480	15	8.550	—
b2(E)	9	15	7.770	—
b3(E)	3	15	1.300	—
b4(E)	6	15	10.020	—
c(E)	133	15	0.440	—
c2(E)	266	15	0.525	—
d(E)	616	15	0.910	—
d1(E)	296	15	0.730	—
d2(E)	308	15	1.080	—
d3(E)	12	15	0.655	—
e(E)	84	15	5.760	—
e1(E)	16	25	11.180	—
e2(E)	20	15	8.670	—
m(E)	88	20	8.930	—
s(E)	192	15	2.780	—
s1(E)	86	15	3.380	—
s2(E)	86	15	3.430	—
s3(E)	8	15	3.120	—
u(E)	180	15	1.500	—
u1(E)	8	15	1.950	—
v(E)	190	15	1.100	—
Reinforcement Bars, Epoxy Coated		Kg	47,550	
Concrete Superstructure		Cu M	345.0	

NOTES:

1. Reinforcement bars designated (E) shall be epoxy coated.
2. All Expansion Anchors shall be Epoxy Coated and included in the cost of "Reinforcement Bars, Epoxy Coated".

MIN. BAR LAP

#15 bar = 640
#25 bar = 1.320m

SHT. S-13 OF S-27

REVISIONS	NAME	DATE

ILLINOIS DEPARTMENT OF TRANSPORTATION
IL ROUTE 68 OVER US ROUTE 14
F.A.P. ROUTE 343 SECTION 70HB-R-1
COOK COUNTY STATION 10+001.778
STRUCTURE NO. 016-2861
PARAPET ELEVATION, DECK DETAILS, & B.O.M.
DESIGNED: BTO
CHECKED: JAN
DRAWN: BTO
CHECKED: JAN
DATE: 02/07

Addendum #2 2/15/07

STV Incorporated
Engineers/Architects/Planners/Construction Managers
210 W. Monroe Street, Suite 1600
Chicago, IL 60606-5015
312.953.0655 FAX 312.953.0661