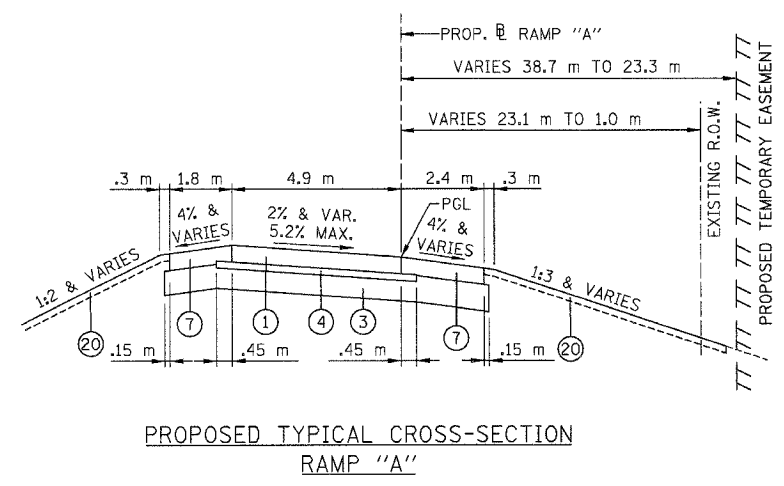
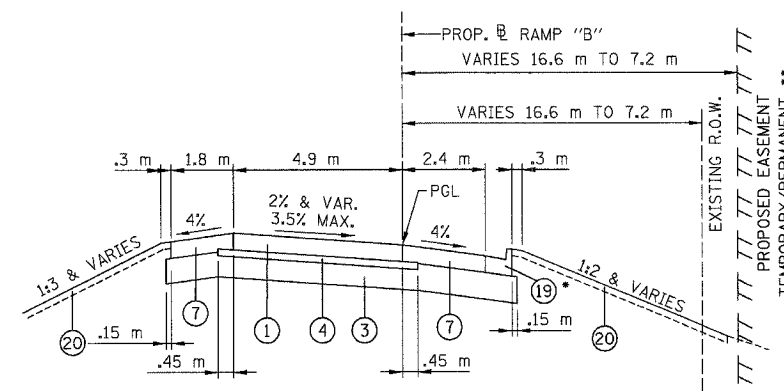


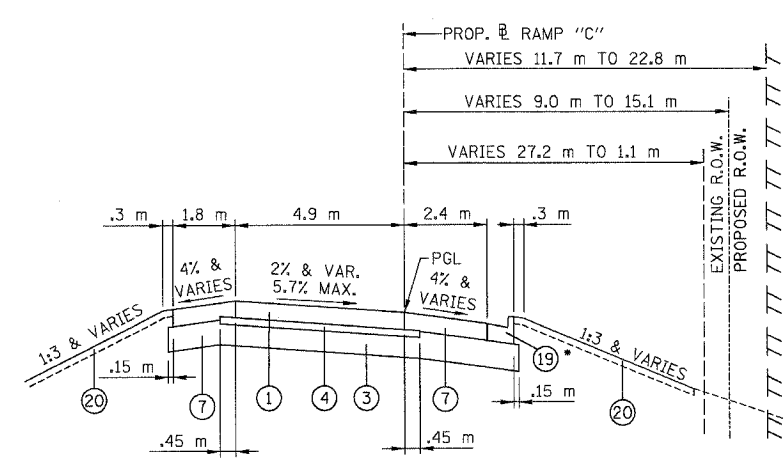
F.A.P. RTE.	SECTION	COUNTY	TOTAL SHEETS	SHEET NO.
343	*	COOK	283	20
STA. 9+713.000		TO STA. 10+151.000		
FED. ROAD DIST. NO. 1		ILLINOIS	FED. AID PROJECT	
* 70D-Y-B-R & 70HB-R-1		62897		



PROPOSED TYPICAL CROSS-SECTION RAMP "A"



PROPOSED TYPICAL CROSS-SECTION RAMP "B"



PROPOSED TYPICAL CROSS-SECTION RAMP "C"

* STA 0+250.000 TO STA 0+300.612
** SEE PLANS FOR LOCATION

* STA 0+061.043 TO STA 0+176.329
** SEE PLANS FOR LOCATION

- NOTE:
THE FOLLOWING KEY ITEMS IN THE LEGEND ARE INTERPRETED AS FOLLOWS:
- ④ STABILIZED SUBBASE-HOT-MIX ASPHALT, 115 mm
 - ⑤ HOT-MIX ASPHALT SHOULDERS, 260 mm
 - ⑦ HOT-MIX ASPHALT SURFACE COUSE, MIX "D", N70
 - ⑧ HOT-MIX ASPHALT BASE COURSE, 200 mm

- LEGEND:
- ① PORTLAND CEMENT CONCRETE PAVEMENT, 260 mm (JOINTED)
 - ② NOT USED
 - ③ AGGREGATE SUBGRADE 300 mm
 - ④ STABILIZED SUB-BASE 115 mm
 - ⑤ BITUMINOUS CONCRETE SHOULDERS SUPERPAVE 260 mm
 - ⑥ NOT USED
 - ⑦ PCC SHOULDER, 260 mm
 - ⑧ CONCRETE MEDIAN, TYPE SB-15.30 (MODIFIED), (SEE BRIDGE PLANS AND STD. 606301)
 - ⑨ CORRUGATED PC CONCRETE MEDIAN (STD 606306)
 - ⑩ #6 TIE BARS, 600mm LONG @ 600mm O.C. INCIDENTAL TO P.C.C. PAVEMENT (JOINTED)
 - ⑪ LONGITUDINAL CONSTRUCTION JOINT GROUTED-IN-PLACE TIE BAR NO. 8x500mm LONG DEFORMED TIE BARS (EPOXY COATED) @ 600mm O.C. (STANDARD 420001) INCLUDED IN THE COST OF PAVEMENT.
 - ⑫ LONGITUDINAL SAWED JOINT NO. 6x750mm LONG DEFORMED TIE BAR (EPOXY COATED) @ 750mm O.C. (STD. 420001 INCLUDED IN THE COST OF PAVEMENT)
 - ⑬ AT THE CONTRACTORS OPTION A LONGITUDINAL SAWED JOINT ⑫ MAY BE USED
 - ⑭ P.C.C. CONCRETE DECK 195 mm (SEE BRIDGE PLANS)
 - ⑮ CONCRETE MEDIAN, TYPE SB-15.45 (MODIFIED), (SEE BRIDGE PLANS AND STD.606301)
 - ⑯ CONCRETE PARAPET "F" SHAPE (SEE BRIDGE PLANS)
 - ⑰ BITUMINOUS CONCRETE SURFACE, SUPERPAVE, MIX "D", N70.
 - ⑱ BITUMINOUS BASE COURSE, SUPERPAVE 200 mm
 - ⑲ COMBINATION CONCRETE CURB AND GUTTER, TYPE B-15.60
 - ⑳ TOPSOIL FURHISH AND PLACE, 100 mm. SODDING, SALT TOLERANT OR SEEDING (SEE LANDSCAPING PLANS)
 - ㉑ RETAINING WALL (SEE STRUCTURAL PLANS)
 - ㉒ TYPE B GUTTER
 - ㉓ COMBINATION CONCRETE CURB AND GUTTER, TYPE B-15.30
 - ㉔ LANDSCAPED MEDIAN (SEE PLANS FOR DETAILS)

BOXED ITEMS ARE INCIDENTAL TO OTHER PAY ITEMS.

REVISIONS		ILLINOIS DEPARTMENT OF TRANSPORTATION ILLINOIS ROUTE 68 PROPOSED TYPICAL SECTIONS RAMPS
NAME	DATE	
		SCALE NTS DATE OCTOBER, 2006
DRAWN BY GRH CHECKED BY PK		