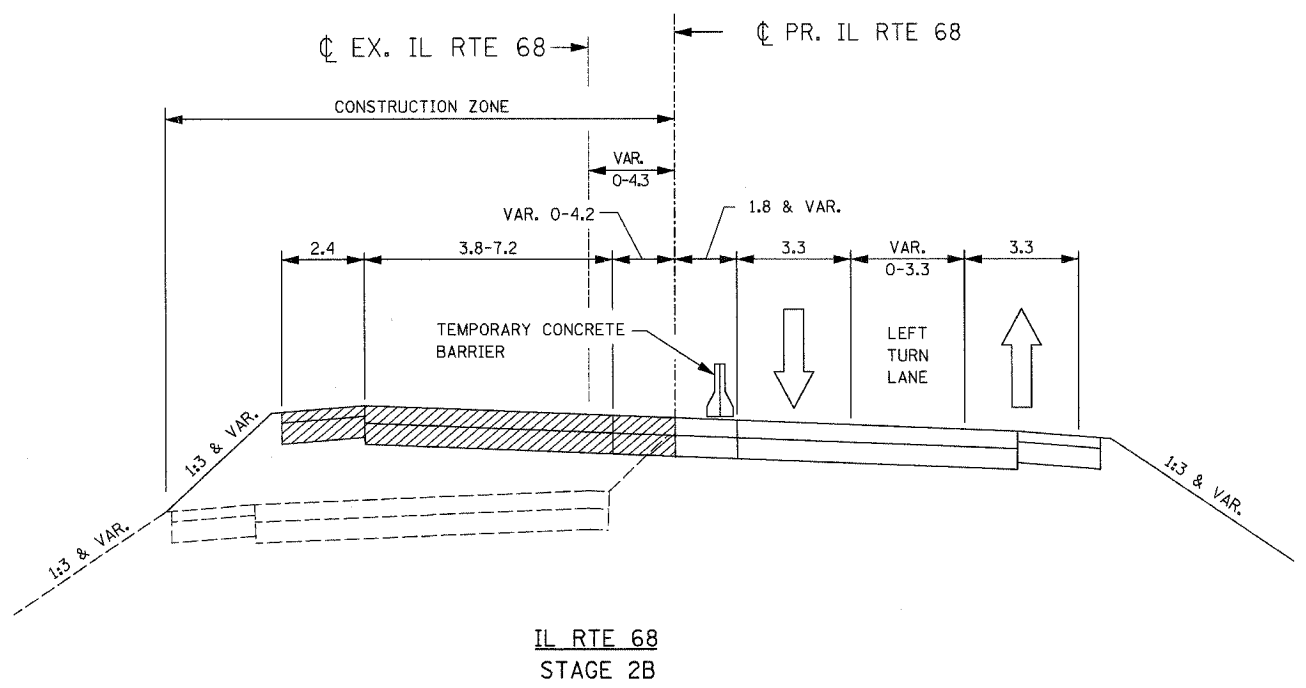
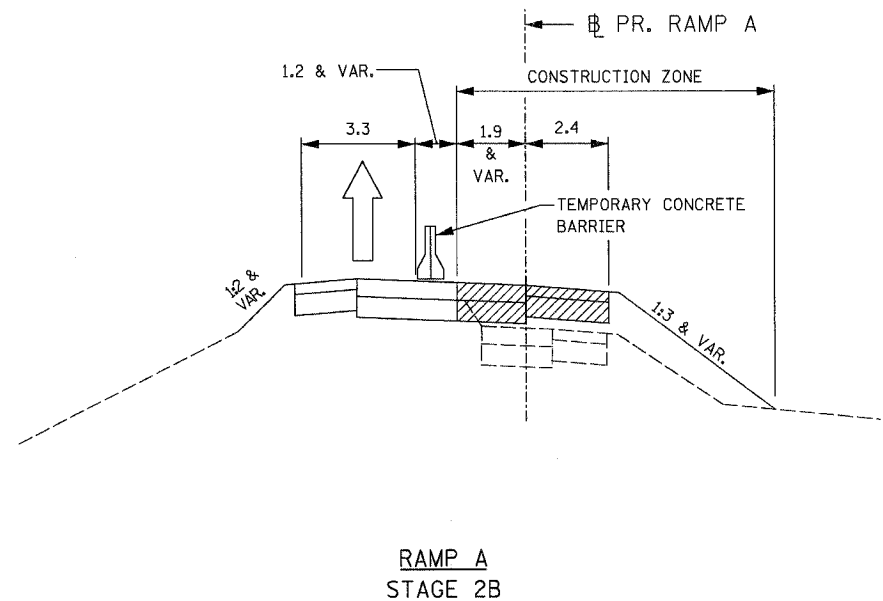
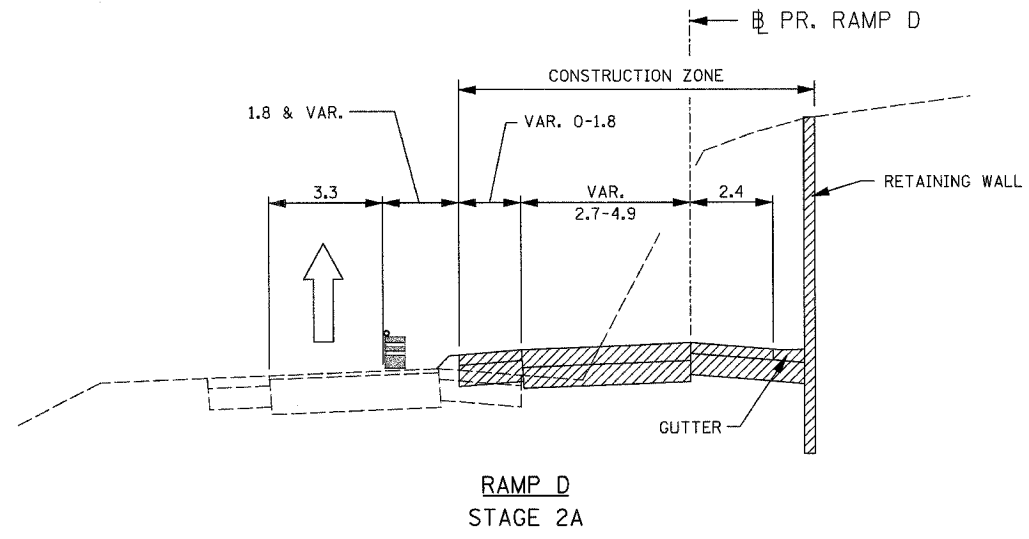
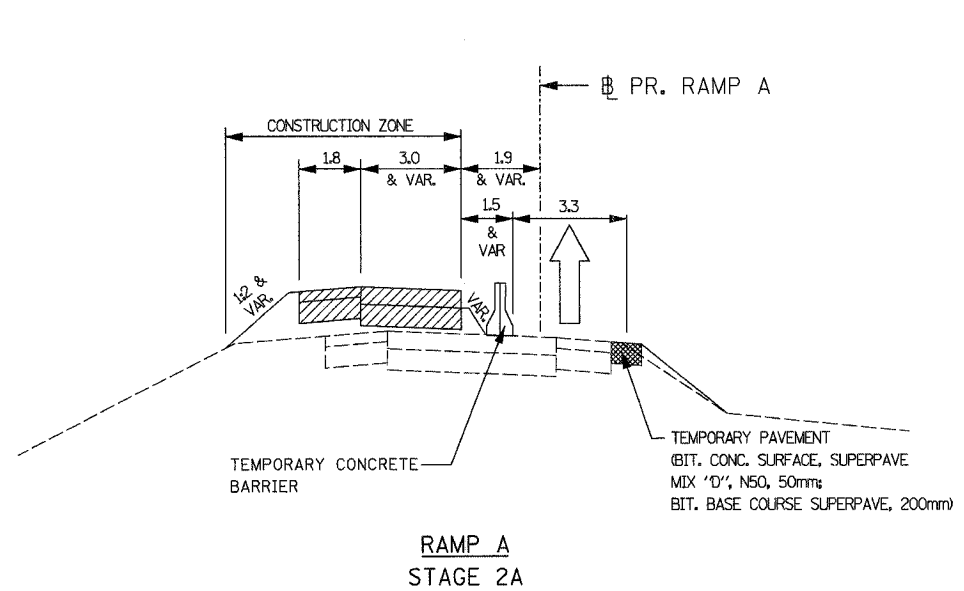


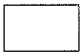


F.A.P. RTE.	SECTION	COUNTY	TOTAL SHEETS	SHEET NO.
343		COOK	283	37
STA. 9+713.000		TO STA. 10+151.000		
FED. ROAD DIST. NO. 1		ILLINOIS FED. AID PROJECT		
• 70D-Y-B-R & 70HB-R-1		62897		



NOTES:

1. ALL DIMENSION ARE IN METERS (m) UNLESS OTHERWISE NOTED.
2. TYPICAL SECTIONS REFLECT APPROXIMATE LIMITS FOR EXISTING TRAFFIC AND CONSTRUCTION ZONE RELATIONSHIPS ONLY. SEE MOT PLANS AND NOTES FOR ADDITIONAL DETAILS.

LEGEND:

-  CONSTRUCTION FROM PREVIOUS STAGE
-  PROPOSED CONSTRUCTION DURING STAGE
-  BARRICADE TYPE II

REVISIONS	
NAME	DATE

ILLINOIS DEPARTMENT OF TRANSPORTATION
ILLINOIS ROUTE 68
MAINTANANCE OF TRAFFIC
TYPICAL SECTIONS
STAGE 2A AND 2B

SCALE NTS
DATE OCTOBER, 2006

DRAWN BY: RDT
CHECKED BY: PK