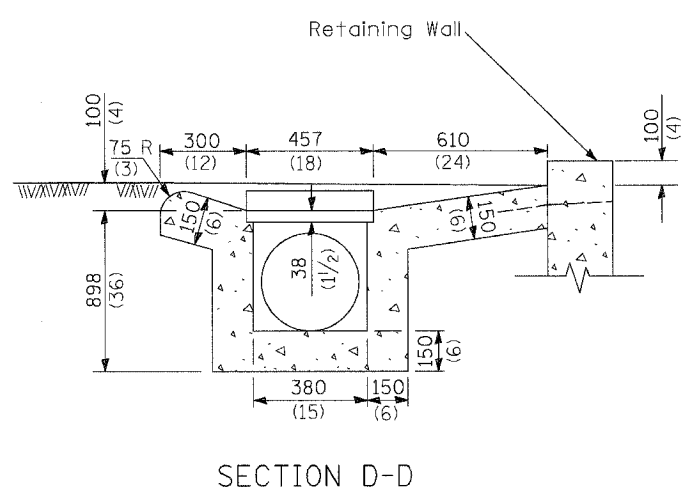
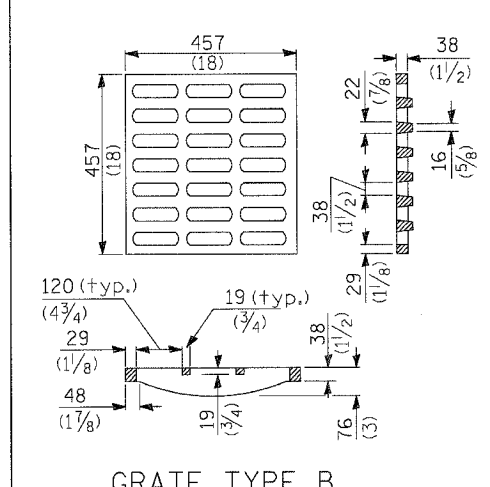
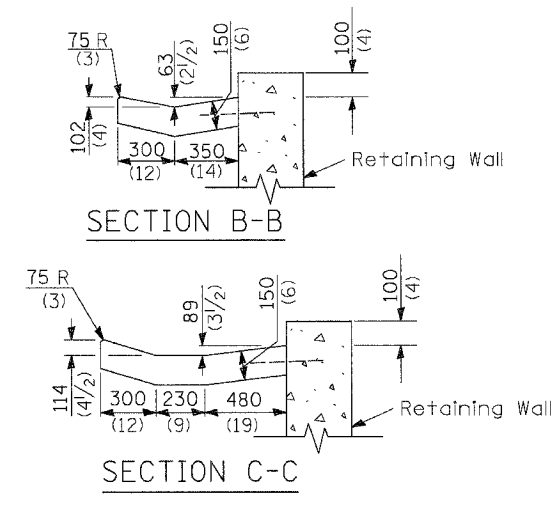
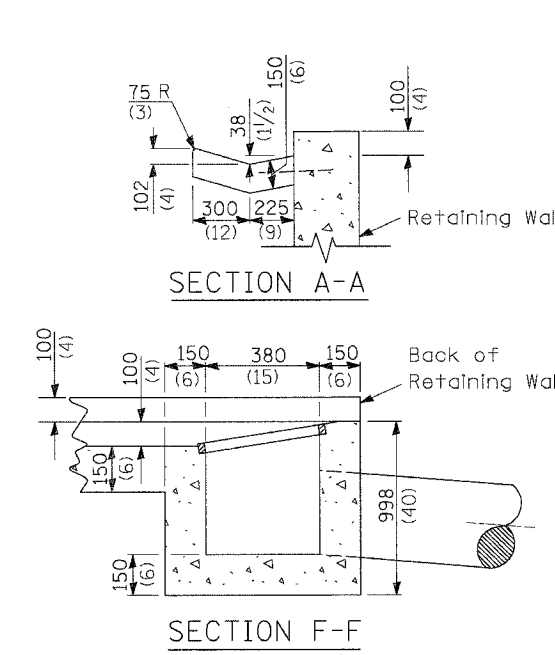
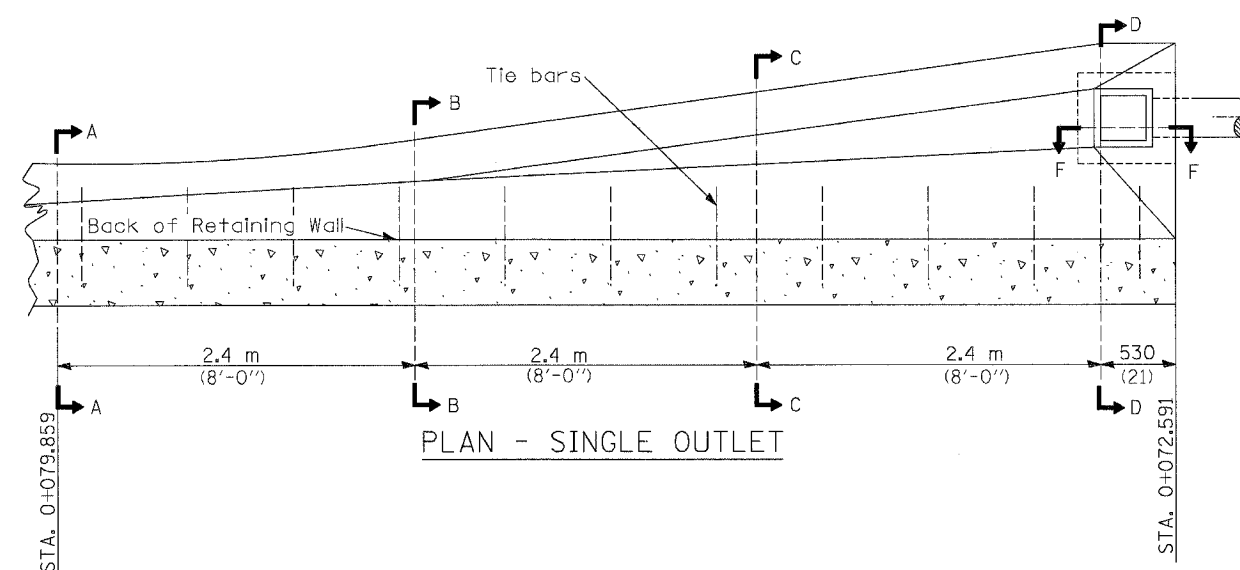


F.A.P. RTE.	SECTION	COUNTY	TOTAL SHEETS	SHEET NO.
343	*	COOK	283	97
STA. 9+713.000		TO STA. 10+151.000		
FED. ROAD DIST. NO. 1		ILLINOIS FED. AID PROJECT		
* 700-Y-B-R & 7HB-R-1		62897		



Material	Single
Concrete - m <sup>3</sup> (cu. yd.)	1.4 (1.7)
Cast Iron Grate - Ea. 37 kg (82 lbs.)	1
Pipe Drain - Dia. mm (in.)	300 (12)

### GENERAL NOTES

1. Tie bars shall be No. 20 (No. 6) at 600 mm (24") centers unless otherwise shown.
2. See Drainage Schedule for invert and Rim information.
3. See Proposed Drainage Plans for more information.
4. See Structural Plans for more Retaining Wall information.

All dimensions are in millimeters (inches) unless otherwise shown.

REVISIONS		ILLINOIS DEPARTMENT OF TRANSPORTATION
NAME	DATE	
		<p>OUTLET TYPE 1 (MODIFIED) FOR TYPE B GUTTER AT THE BACK OF THE RETAINING WALL AT STA. 0+072.591</p> <p>SCALE NTS                      DRAWN BY GRH DATE OCTOBER, 2006              CHECKED BY PK</p>