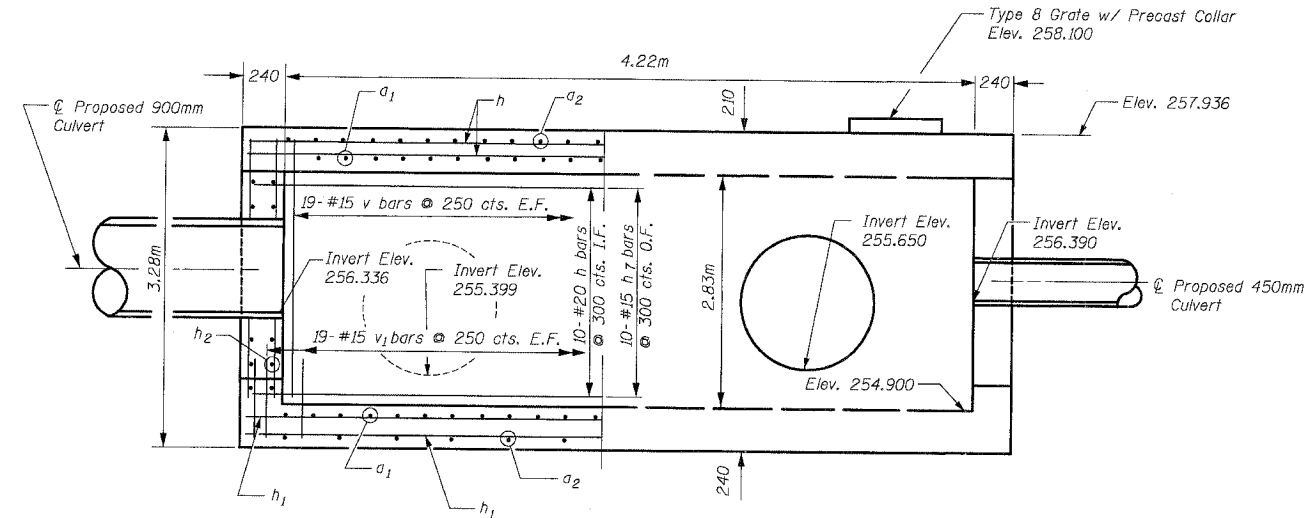
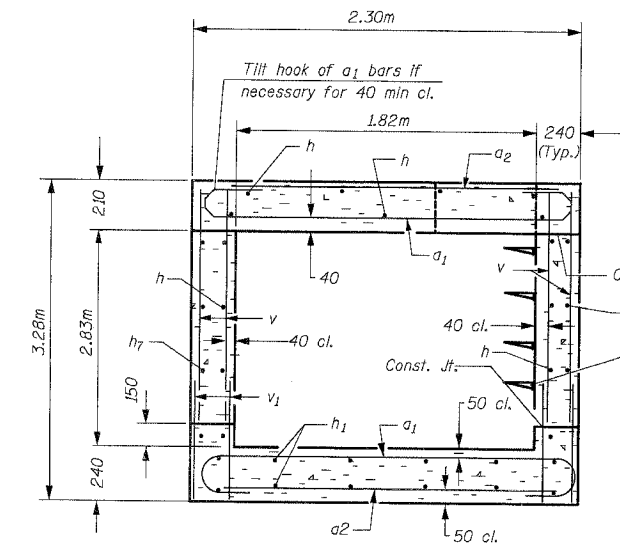


F.A.P. RTE.	SECTION	COUNTY	TOTAL SHEETS	SHEET NO.
343	*	COOK	283	100
STA. 9+713.000		TO STA. 10+151.000		
FED. ROAD DIST. NO. 1		ILLINOIS FED. AID PROJECT		
* TOD-Y-B-R & TOHB-R-1		62897		

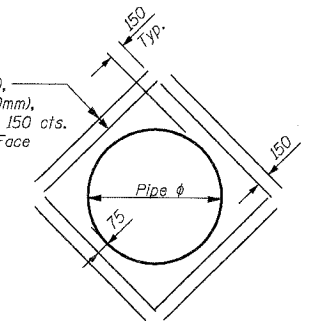


HALF ELEVATION



SECTION THRU BARREL

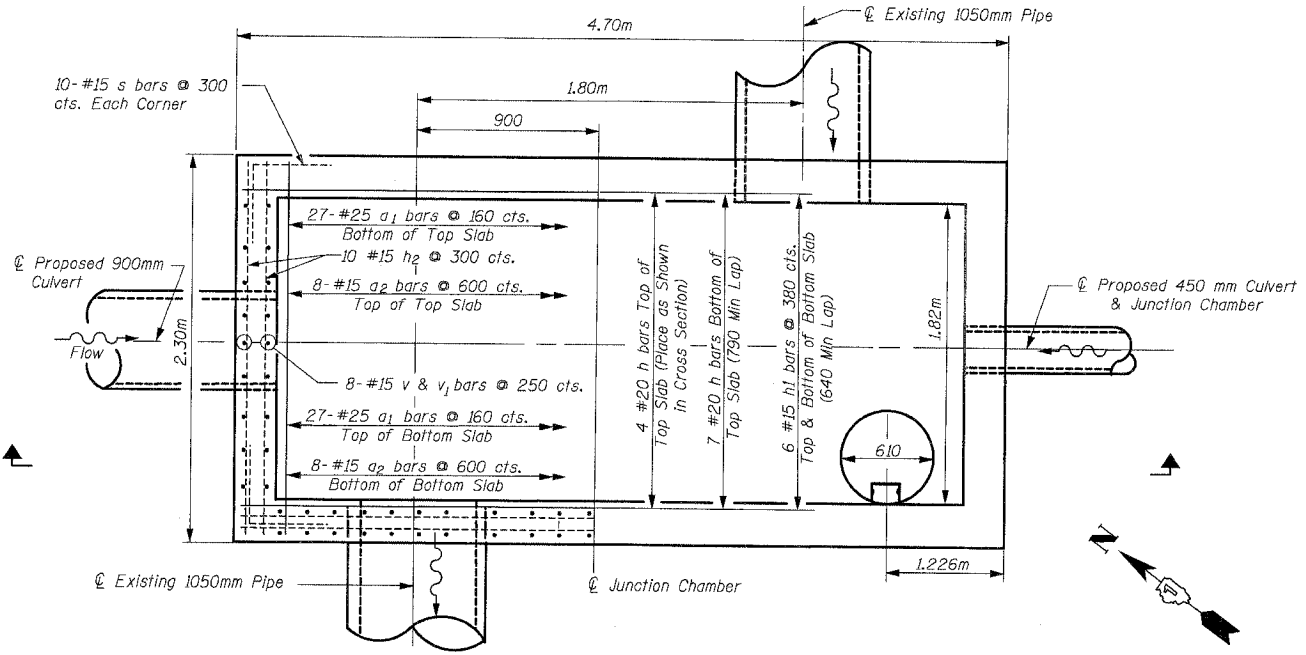
2-#15 h_3 (1050mm), h_4 (900mm), h_5 (450mm), h_6 (610mm) bars @ 150 cts. Each Side, Each Face



PIPE OPENING REINFORCEMENT DETAIL

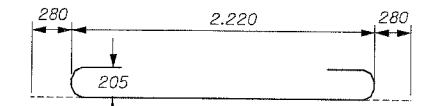
DESIGN STRESSES

$f_y = 420$ MPa
 $f'_c = 24$ MPa
 Max. Soil Pressure under Footing = 30.0 kPa

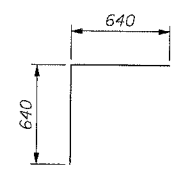


SHOWING REINFORCEMENT PLAN SHOWING OUTLINES

(Cut h & v bars at pipes in field)



Bar a1



Bar s

BILL OF MATERIAL

Bar	No.	Size	Length(m)	Shape
a_1	54	#25	2.780	U
a_2	16	#15	2.220	—
h	31	#20	4.620	—
h_1	12	#15	4.620	—
h_2	40	#20	2.220	—
h_3	16	#15	1.370	—
h_4	8	#15	1.205	—
h_5	8	#15	0.755	—
h_6	8	#15	0.915	—
h_7	20	#15	4.620	—
s	40	#15	1.280	—
v	108	#15	2.850	—
v_1	108	#15	1.000	—
Class SI Concrete			m^3	13.7
Reinforcement Bars			kg	2,230
Structure Excavation			m^3	30.0
Junction Chamber (Special)			L.S.	1

* Cost included with Junction Chamber (Special)

NOTES:

- Reinforcement bars shall conform to the requirements of AASHTO M31M or M322M Grade 400.
- All dimensions are in millimeters (mm) except as noted.
- Minimum Bar Laps
 #15 640
 #20 790
 #25 1.320m
- Cost of Cast Iron Steps are included in the cost of Junction Chamber (Special).

REVISIONS		ILLINOIS DEPARTMENT OF TRANSPORTATION ILLINOIS ROUTE 68
NAME	DATE	
		JUNCTION CHAMBER (SPECIAL) DETAILS
SCALE NTS		DRAWN BY JAN
DATE OCTOBER, 2006		CHECKED BY BTO