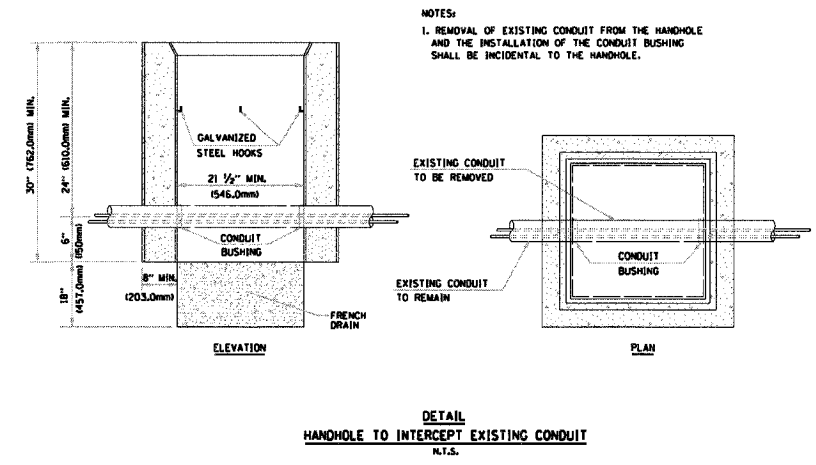
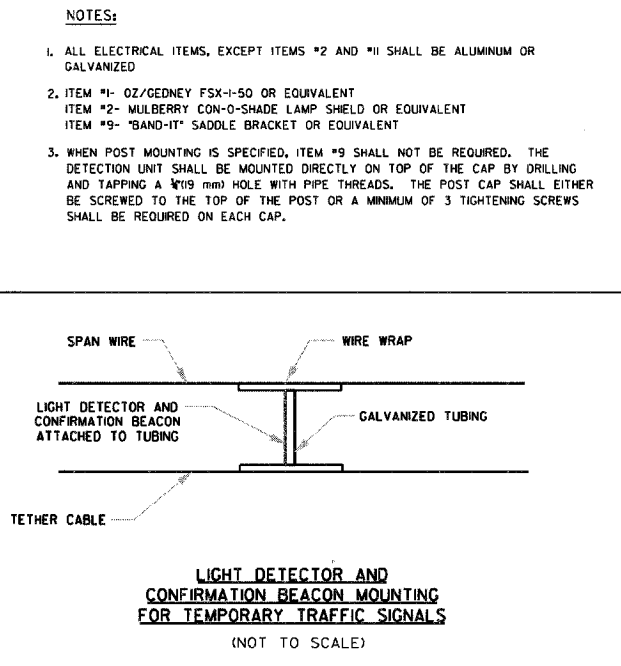
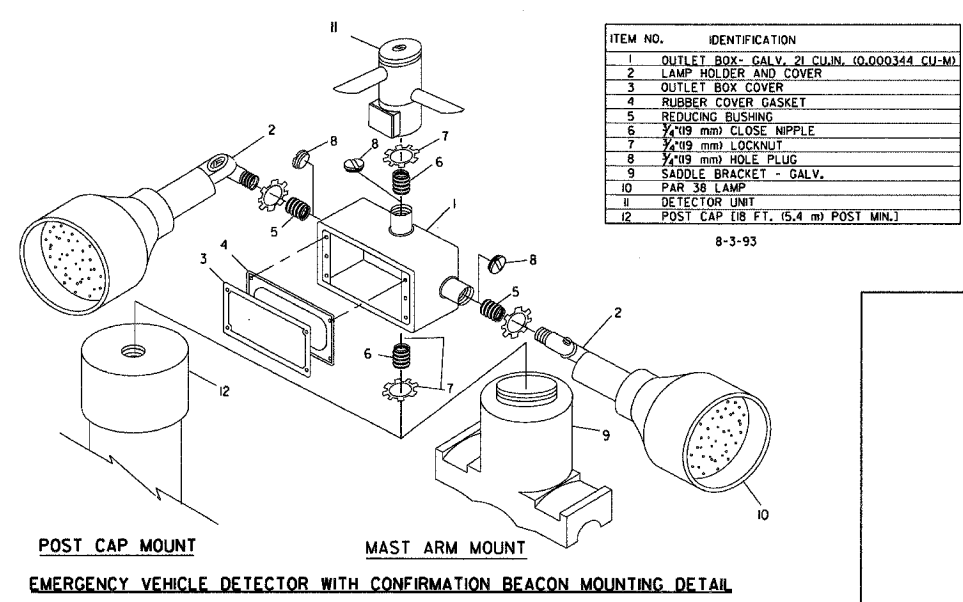
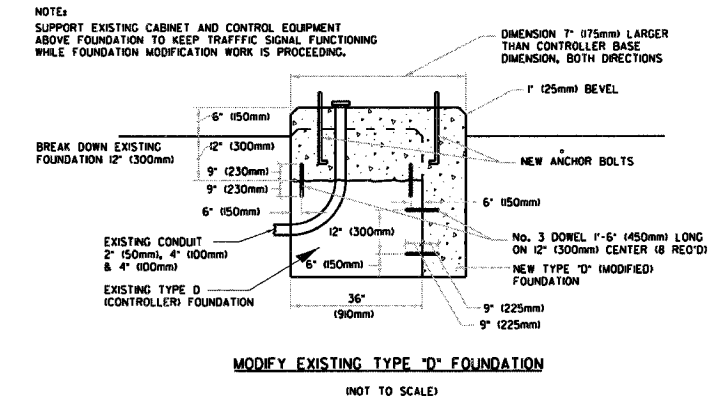
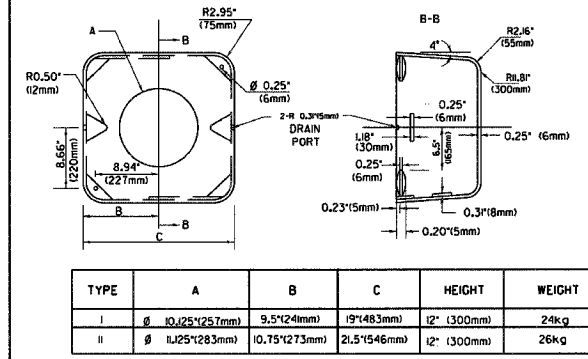
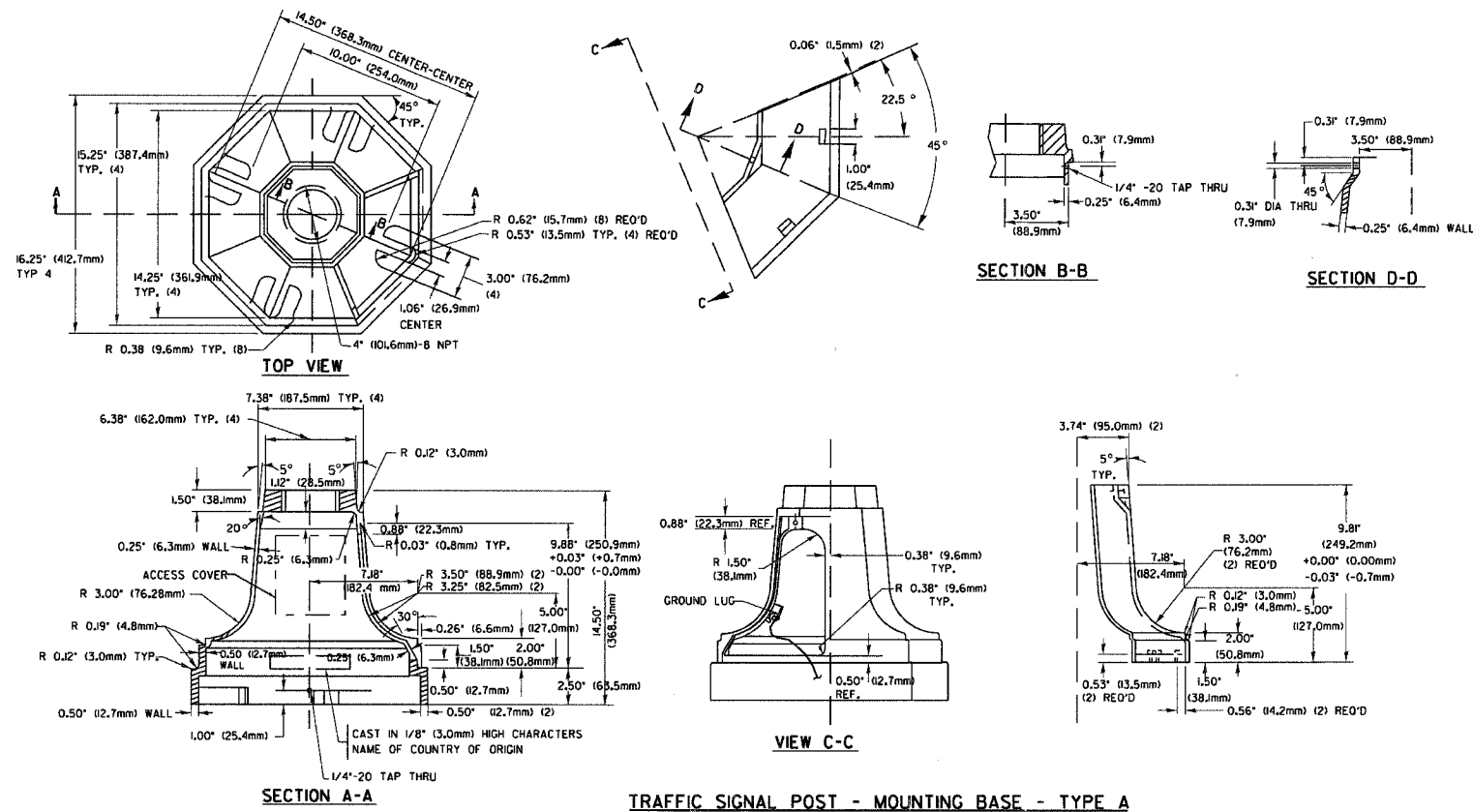


F.A.P. RTE.	SECTION	COUNTY	TOTAL SHEETS	SHEET NO.
343	*	COOK	283	117
STA.		TO STA.		
FED. ROAD DIST. NO. 1		ILLINOIS FED. AID PROJECT		
* 70D-Y-R & 70HB-R-1				62897



Rick Johns - District 01
 IDOT - District 01
 02-05-IDOT-STV-03 - IL 68 over US 14
 11/27/2006 3:41:37 PM
 1:0000 M / M.

REVISIONS		ILLINOIS DEPARTMENT OF TRANSPORTATION
NAME	DATE	
		DISTRICT 1 STANDARD TRAFFIC SIGNAL DESIGN DETAILS SCALE DATE

DRAWN BY RWP
 DESIGNED BY DAD
 CHECKED BY DAZ
 SHEET 4 OF 4