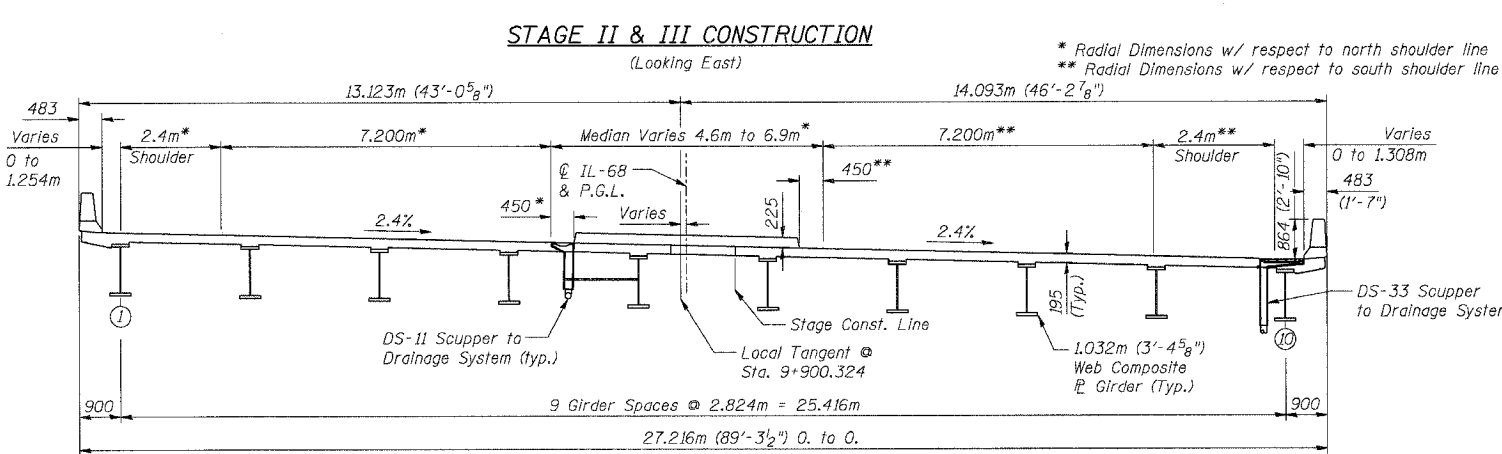
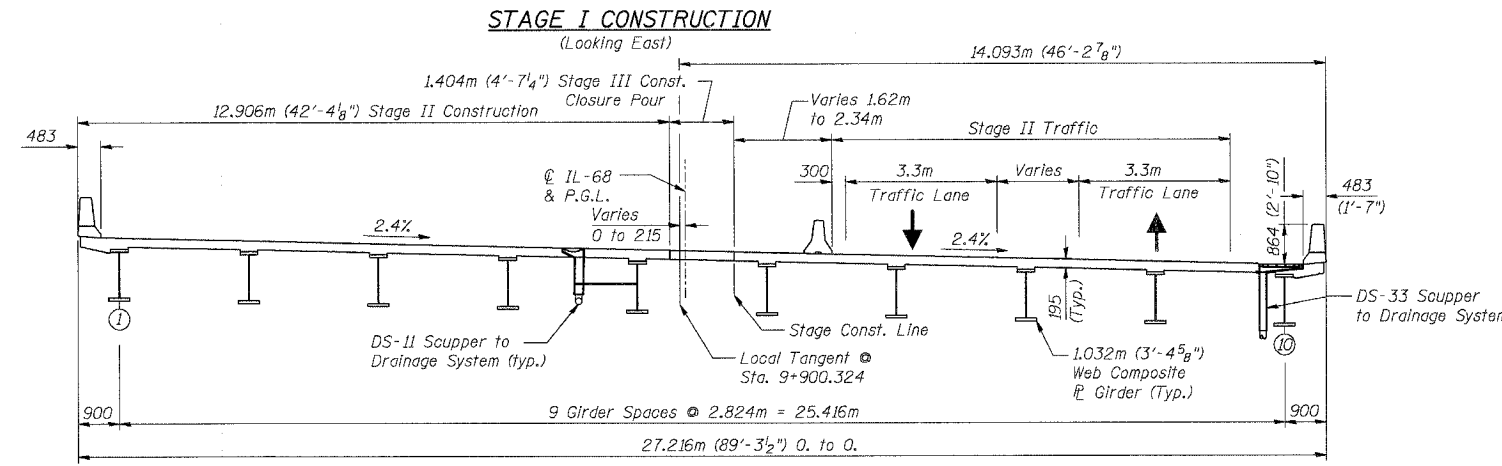
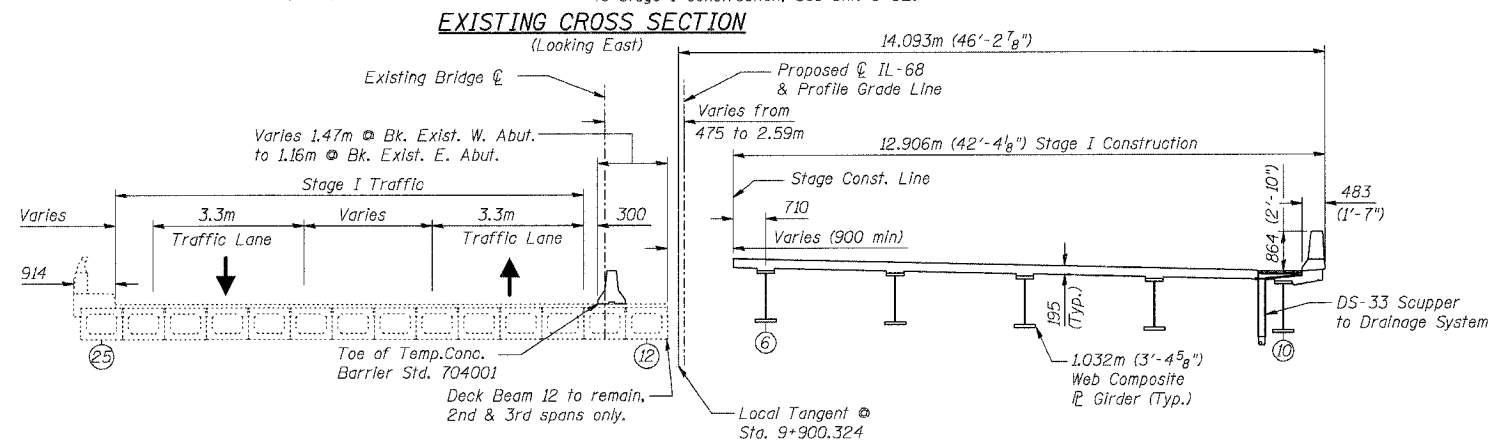
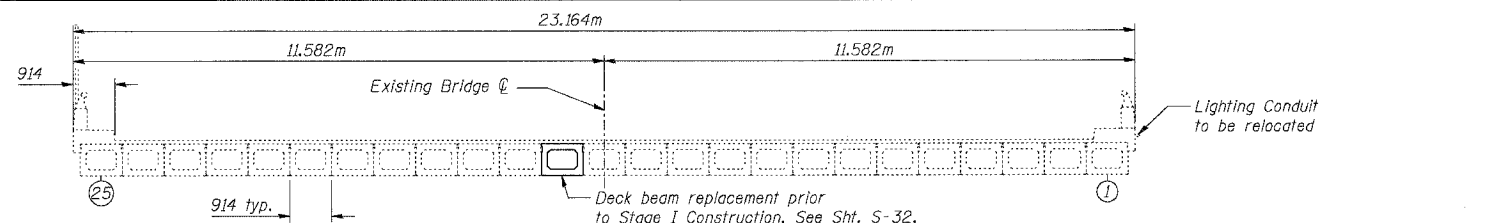


F.A.P. RTE.	SECTION	COUNTY	TOTAL SHEETS	SHEET NO.
343	70D-Y-B-R	COOK	283	160
STA.	TO STA.			
FED. ROAD DIST. NO.	ILLINOIS	FED. AID PROJECT		
CONTRACT NO. 62897				



TYPICAL SECTION THRU BRIDGE DECK
(Looking East)
(Horizontal Dimensions @ Rt. L's to Local Tangent unless noted otherwise.)

- NOTES:**
- See Sht. S-07 of S-34 for Temporary Concrete Barrier.
 - See Roadway Plans for quantity of Temporary Concrete Barrier.

REVISIONS	
NAME	DATE

SHT. S-06 OF S-34

ILLINOIS DEPARTMENT OF TRANSPORTATION
 IL ROUTE 68 OVER UPRR
 F.A.P. ROUTE 343 SECTION 70D-Y-B-R
 COOK COUNTY STATION 9+900.324
 STRUCTURE NO. 016-2732

STAGE CONSTRUCTION DECK SECTIONS

DESIGNED: BTO DRAWN: BTO
 DATE: 10/06 CHECKED: JAN CHECKED: JAN

11/13/2006 2:36:56 PM