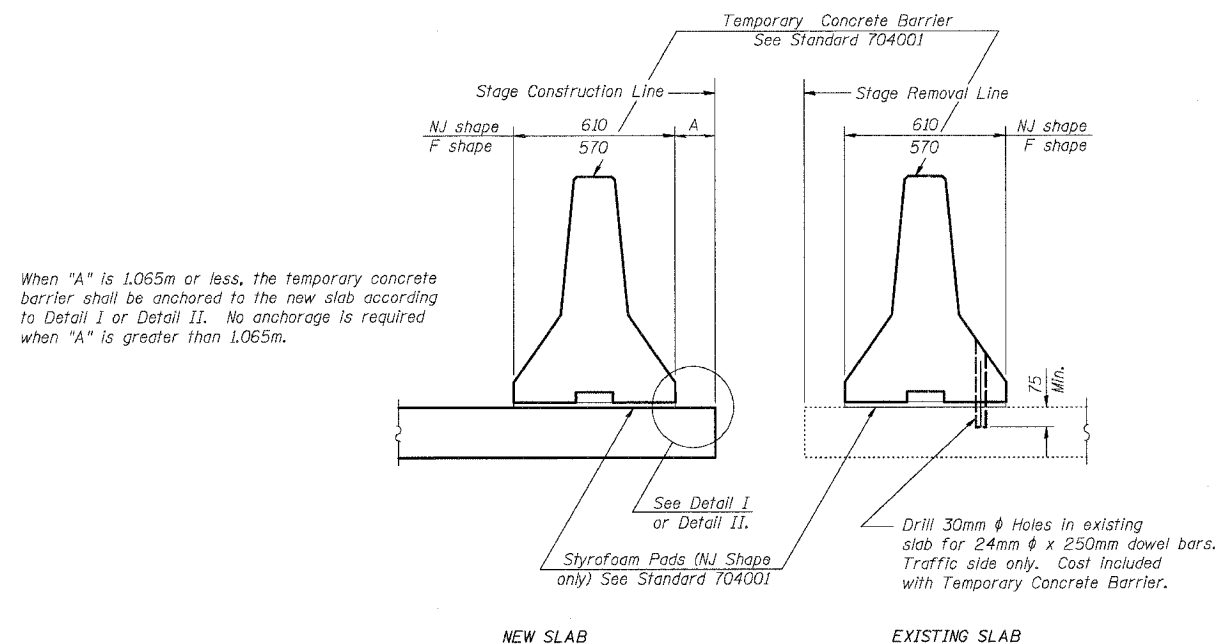
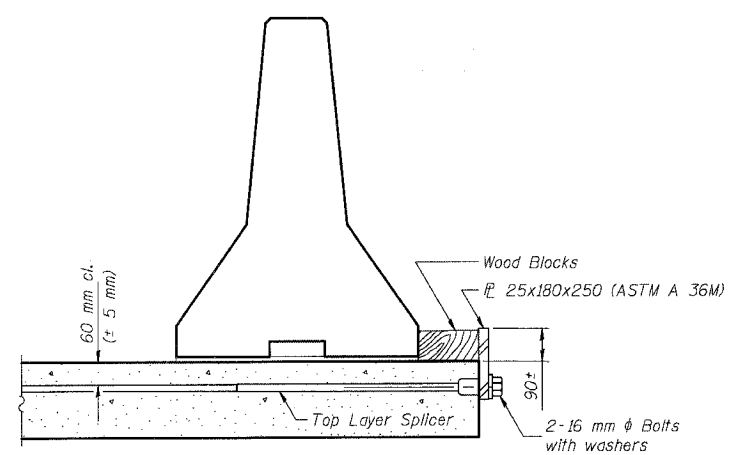


F.A.P. RTE.	SECTION	COUNTY	TOTAL SHEETS	SHEET NO.
343	70D-Y-B-R	COOK	283	161
STA.		TO STA.		
FED. ROAD DIST. NO.		ILLINOIS FED. AID PROJECT		
CONTRACT NO. 62897				

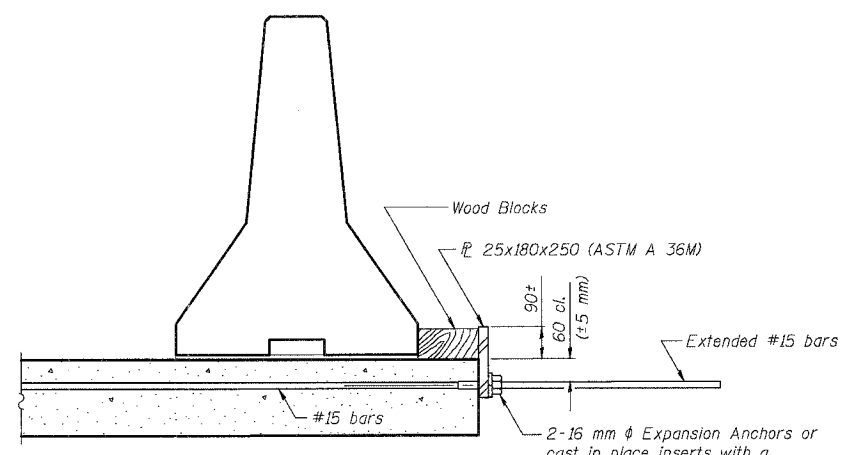


**SECTIONS THRU SLAB**



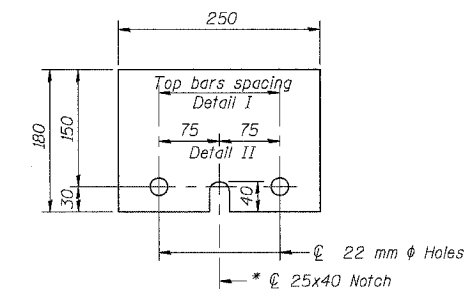
**DETAIL I**

The 25x180x250 Plate shall not be removed until Stage II Construction forms and reinforcement bars are in place.



**DETAIL II**

The 25x180x250 Plate shall not be removed until Stage II Construction forms and all reinforcement bars are in place and the concrete is ready to be placed.



**25x180x250**

\* Required only with Detail II

**NOTES:**

- Detail I - With Bar Splicer or Couplers: Connect one (1) 25x180x250 steel  $\bar{P}$  to the top layer of couplers with 2-16 mm  $\phi$  bolts screwed to coupler at approximate  $\bar{C}$  of each barrier panel.
  - Detail II - With Extended Reinforcement Bars: Connect one (1) 25x180x250 steel  $\bar{P}$  to the concrete slab with 2-16 mm  $\phi$  Expansion Anchors or cast in place inserts spaced between the top layer of reinforcement at approximate  $\bar{C}$  of each barrier panel.
- Cost of anchorage is included with Temporary Concrete Barrier.
- All dimensions are in millimeters (mm) except as noted.

R-27 (M) 9-01-03

REVISIONS	NAME	DATE

ILLINOIS DEPARTMENT OF TRANSPORTATION  
 IL ROUTE 68 OVER UPRR  
 F.A.P. ROUTE 343 SECTION 70D-Y-B-R  
 COOK COUNTY STATION 9+900.324  
 STRUCTURE NO. 016-2732

**TEMPORARY CONCRETE BARRIER**

DESIGNED: BTO      DRAWN: BTO  
 DATE: 10/06      CHECKED: JAN      CHECKED: JAN

SHT. S-07 OF S-34