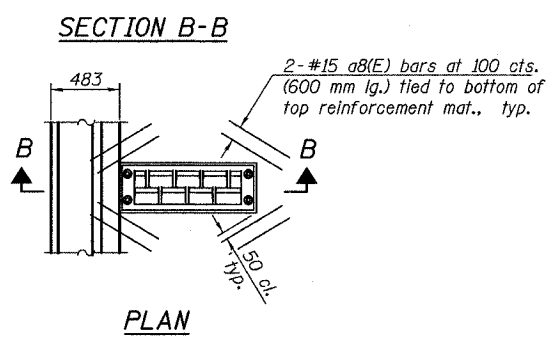
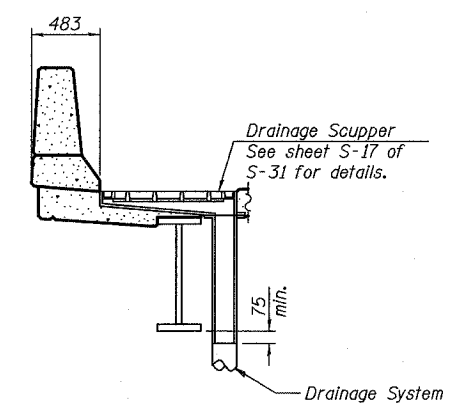
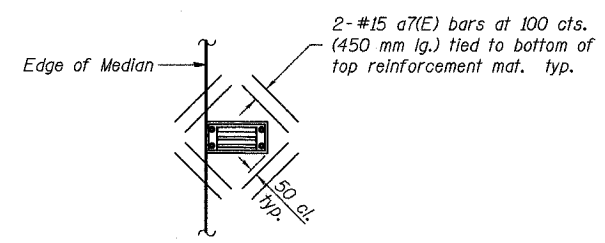


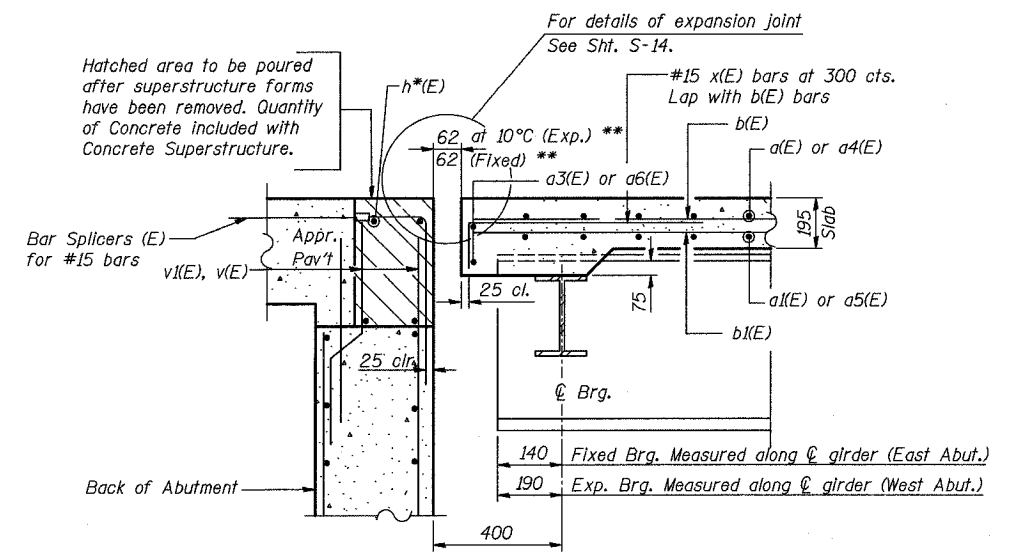
F.A.P. RTE.	SECTION	COUNTY	TOTAL SHEETS	SHEET NO.
343	70D-Y-B-R	COOK	283	166
STA.		TO STA.		
FED. ROAD DIST. NO.		ILLINOIS	FED. AID PROJECT	
CONTRACT NO. 62897				



DS-33 SCUPPER



DS-11 SCUPPER - PLAN



SECTION A-A

* See Abutment drawings for bar designation
 ** Face to face of concrete & Locking Rail

- NOTES:**
- For Superstructure B.O.M, see Sht. S-13 of S-34.
 - Reinforcement bars designated (E) shall be epoxy coated.

MIN. BAR LAP
 #20 bar = 790

SHT. S-12 OF S-34

REVISIONS	
NAME	DATE

ILLINOIS DEPARTMENT OF TRANSPORTATION
 IL ROUTE 68 OVER UPRR
 F.A.P. ROUTE 343 SECTION 70D-Y-B-R
 COOK COUNTY STATION 9+900.324
 STRUCTURE NO. 016-2732
 SUPERSTRUCTURE DETAILS

DESIGNED: BTO DRAWN: BTO
 DATE: 10/06 CHECKED: JAN CHECKED: JAN