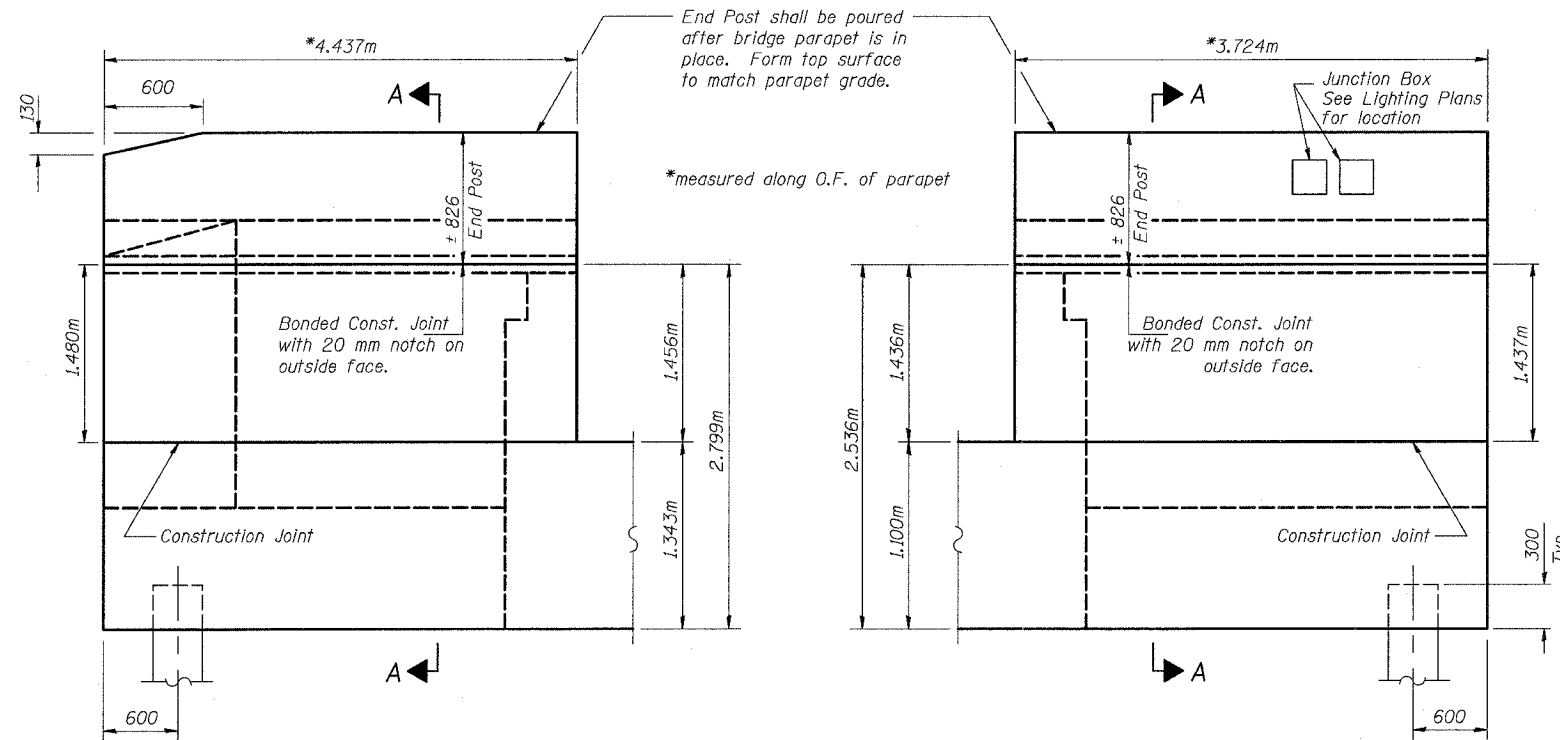


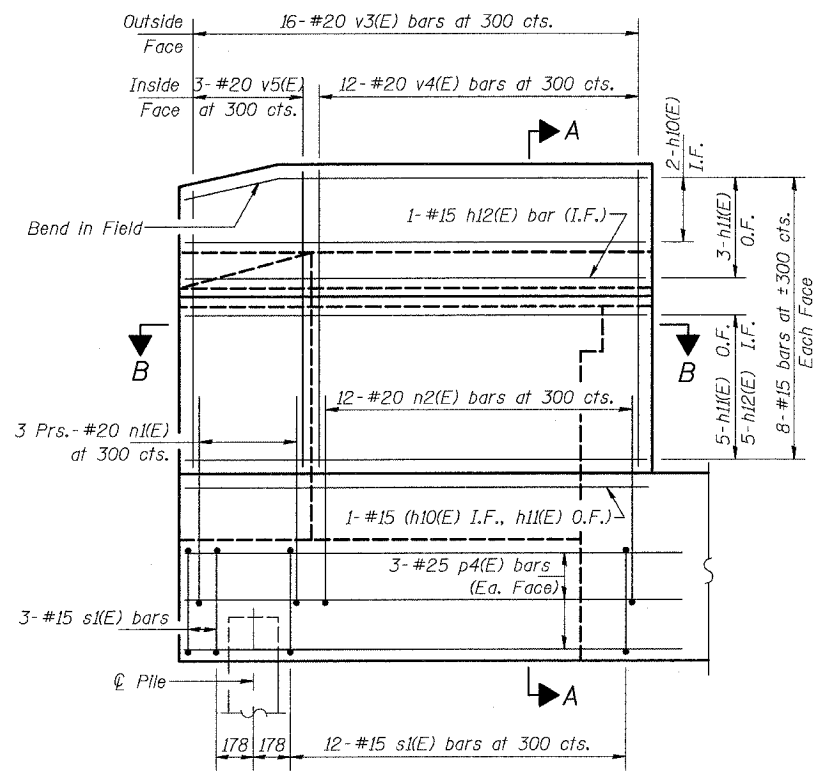
F.A.P. RTE.	SECTION	COUNTY	TOTAL SHEETS	SHEET NO.
343	70D-Y-B-R	COOK	283	178
STA.	TO STA.			
FED. ROAD DIST. NO.	ILLINOIS	FED. AID PROJECT		

CONTRACT NO. 62897

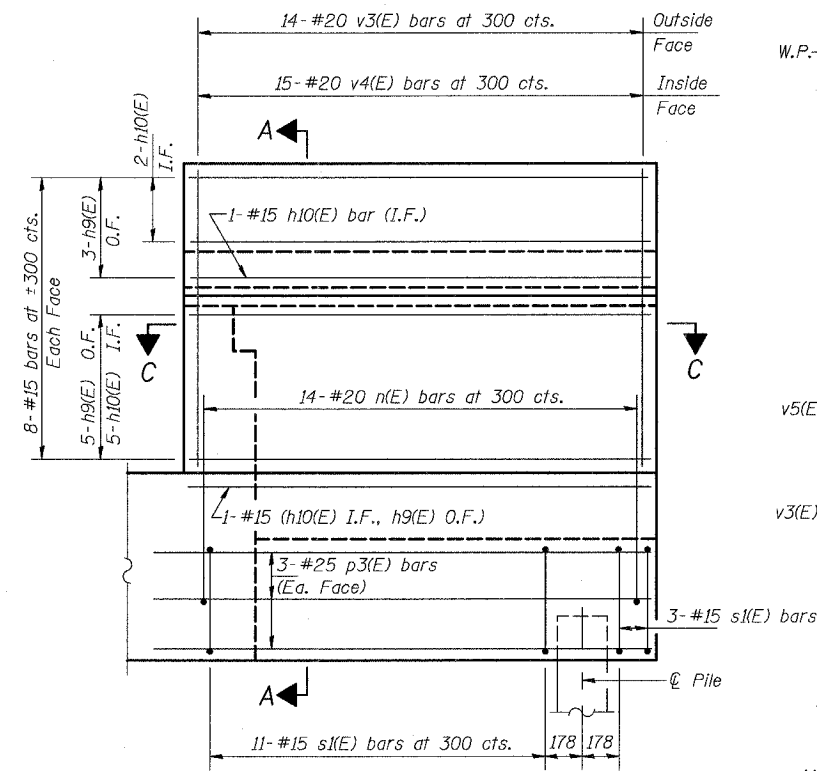


NORTH WING WALL ELEVATION
Showing Dimensions (Looking South)

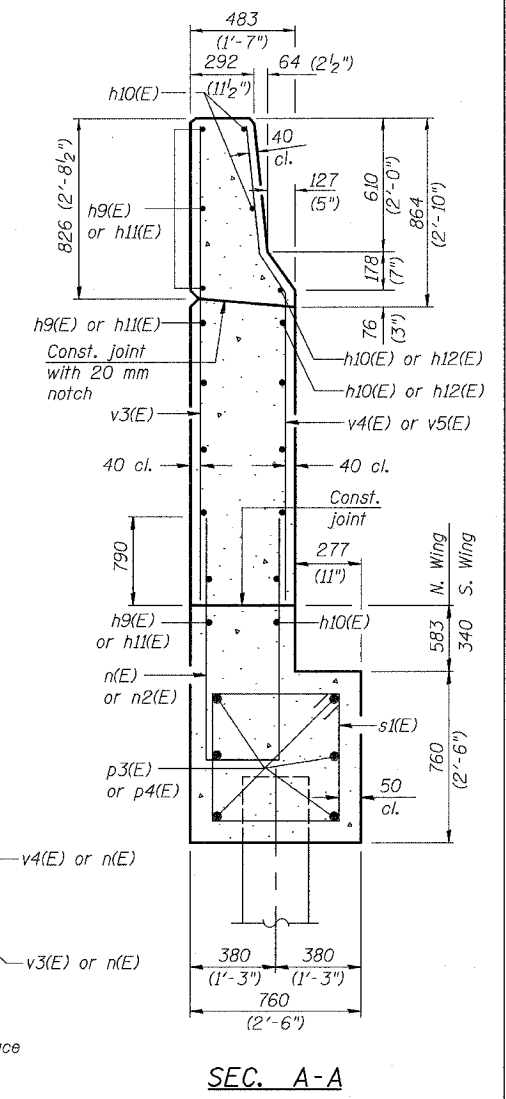
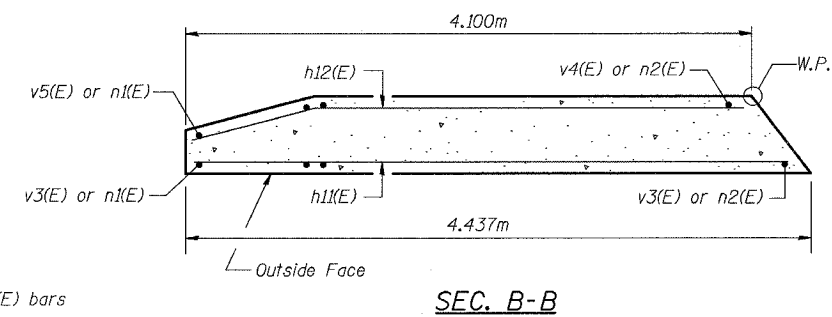
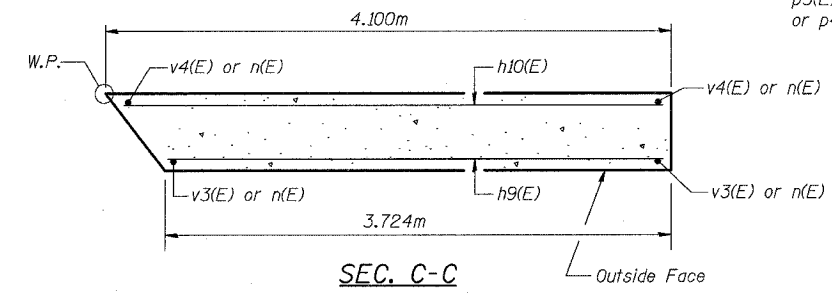
SOUTH WING WALL ELEVATION
Showing Dimensions (Looking North)



NORTH WING WALL ELEVATION
Showing Reinforcement (Looking South)



SOUTH WING WALL ELEVATION
Showing Reinforcement (Looking North)



NOTE:

Quantity of Concrete in end post included with concrete Superstructure on Sht. S-13 of S-34.

REVISIONS	
NAME	DATE

ILLINOIS DEPARTMENT OF TRANSPORTATION
IL ROUTE 68 OVER UPRR
F.A.P. ROUTE 343 SECTION 70D-Y-B-R
COOK COUNTY STATION 9+900.324
STRUCTURE NO. 016-2732
EAST ABUTMENT WINGWALL DETAILS
DESIGNED: BTO
CHECKED: JAN
DATE: 10/06
DRAWN: BTO
CHECKED: JAN

SHT. S-24 OF S-34